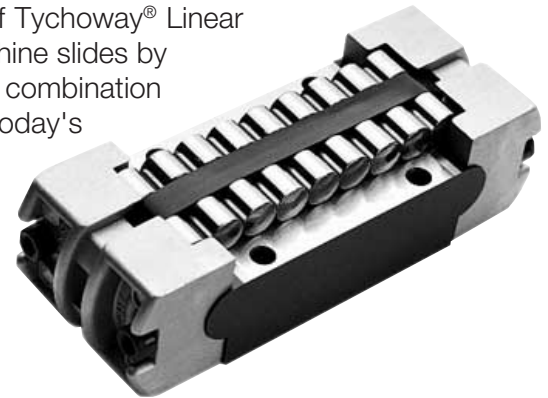


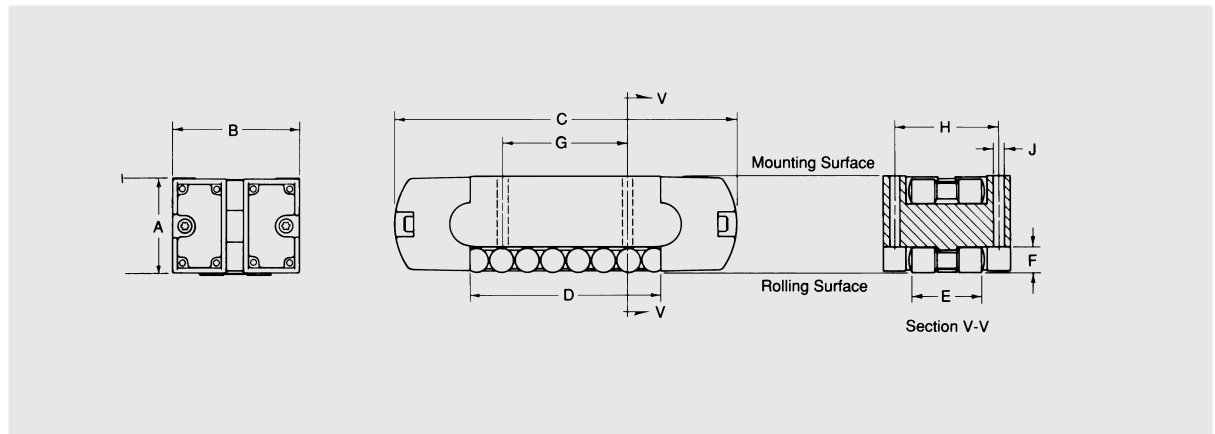
Tychoway® Linear Roller Bearings

Original Tychoway Inch Series

The extremely low friction and high load capacity of Tychoway® Linear Roller Bearings provide accurate positioning in machine slides by virtually eliminating the stick-slip phenomenon. The combination of positioning and travel accuracy benefits provide today's machine designers with a high-quality edge to meet the world's toughest competition.



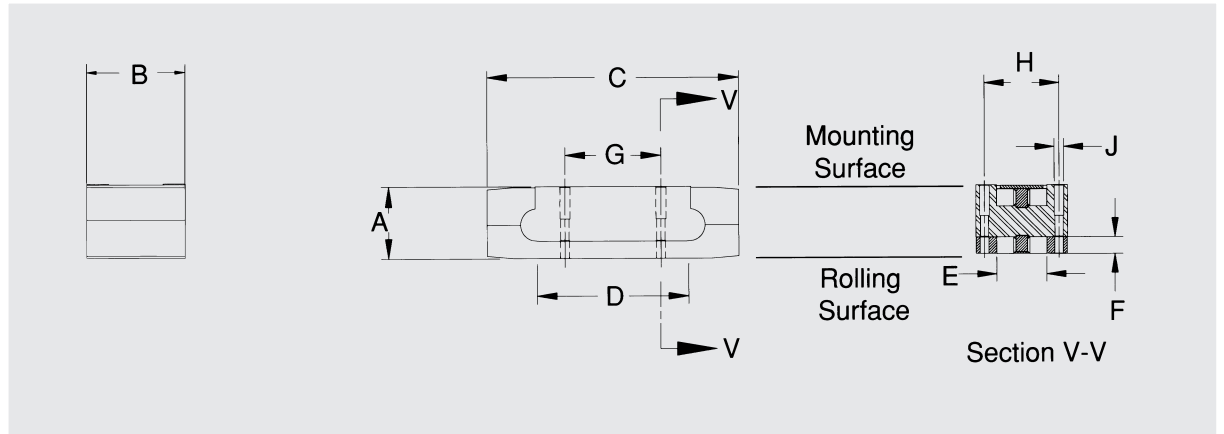
Original Tychoway Inch Series



Bearing No.		App. Wght lb.	Inches			Effect. Length D in.	Effect. Width E in.	Roller Dia. F in.	Mounting Dim.		S.H.C.S. Size J	Load Rating		
Buna Band	Metal Clip		Height A	Width B	Length C				G \pm .002	H \pm .002		Static C ₀ lb.	Dynamic C lb.	Stiffness lb/in.
21050	21080	0.2	.5625 .5622	.875 .873	2.00	1.12	.45	.15	0.75	.672	No. 4	4,330	2,220	3.2 x 10 ⁶
21100	21130	0.5	.7500 .7497	1.000 .998	2.88	1.50	.60	.20	1.00	.812	No. 4	7,920	4,240	5.1 x 10 ⁶
21150	21180	1.3	1.1250 1.1247	1.500 1.498	4.00	2.25	.90	.30	1.50	1.219	No. 8	17,260	9,830	7.0 x 10 ⁶
21200	21230	3.3	1.5000 1.4997	2.000 1.997	5.50	3.00	1.20	.40	2.00	1.625	No. 10	29,460	17,750	9.5 x 10 ⁶
21250	21280	11.0	2.2500 2.2497	3.000 2.297	8.12	4.50	1.80	.60	3.00	2.437	.25	68,200	43,300	15.3 x 10 ⁶
21300	21330	25.0	3.0000 2.9997	4.000 3.996	11.00	6.00	2.40	.80	4.00	3.250	.31	122,000	81,000	19.1 x 10 ⁶

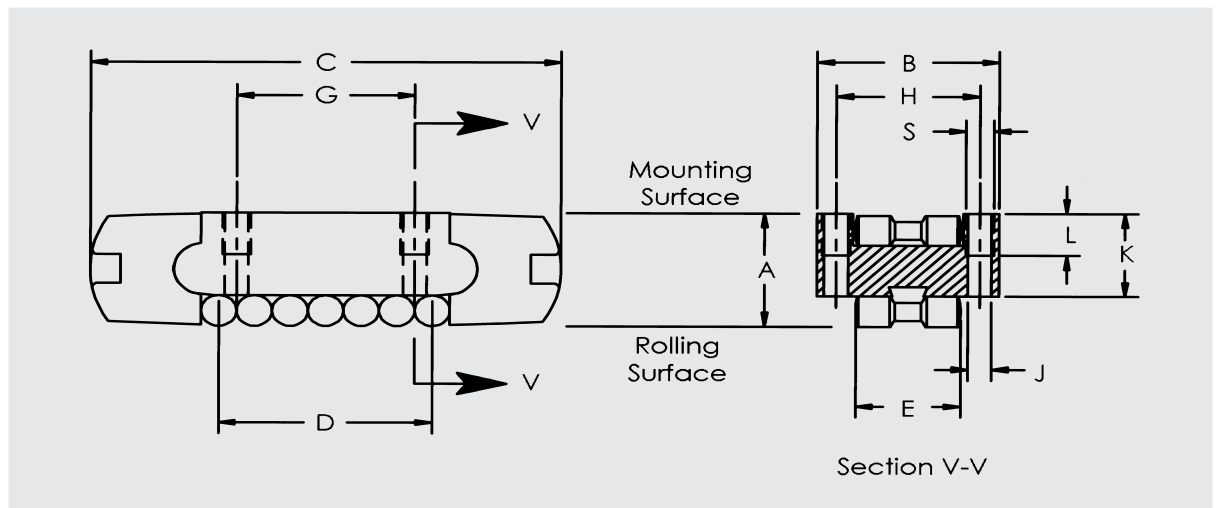
NOTE: Buna band equipped Star Tychoway bearings are recommended. Metal Clips are available as an alternative and are advantageous in certain applications.

Tycho II Inch Series



Bearing No.	App. Wght lb.	Inches			Effect. Length D in.	Effect. Width E in.	Roller Dia. F in.	Mounting Dim.		S.H.C.S. Size J	Load Rating		
		Height A	Width B	Length C				G±.002	H±.002		Static C ₀ lb.	Dynamic C lb.	Stiffness lb/in.
31250	13.3	2.2500 2.2497	3.000 2.997	7.87	4.63	1.643	.551	3.000	2.437	.25	77,260	45,700	20.1 x 10 ⁶
31300	33.0	3.0000 2.9997	4.000 3.996	11.00	6.44	2.334	.787	4.000	3.250	.31	170,720	99,130	31.5 x 10 ⁶

Tychoway Metric Series with Buna Band



Dimensions in mm

Bearing Number	Approximate Weight kg	A*	B +0 -0.05	C	D	E	Mounting Dimensions							Load Rating**		
							G ±.1	H ±.1	hole dia.	S.H.C.S. Size	K	L	S	Static kN	Dynamic kN	Stiffness kN/mm
19073	0.2	19.00 - .0005 - .0105	27	73	30.5	15.2	25.5	20.6	3.3	M3	13.9	6.4	M4	36	19	576

* Standard height dimension "A" tolerance is as shown. To obtain bearings in the 19073 size with a height difference of no more than 2.5 microns, specify all bearings to be of the same height tolerance grade.

** Load Ratings are based on a travel life of 30 million inches.