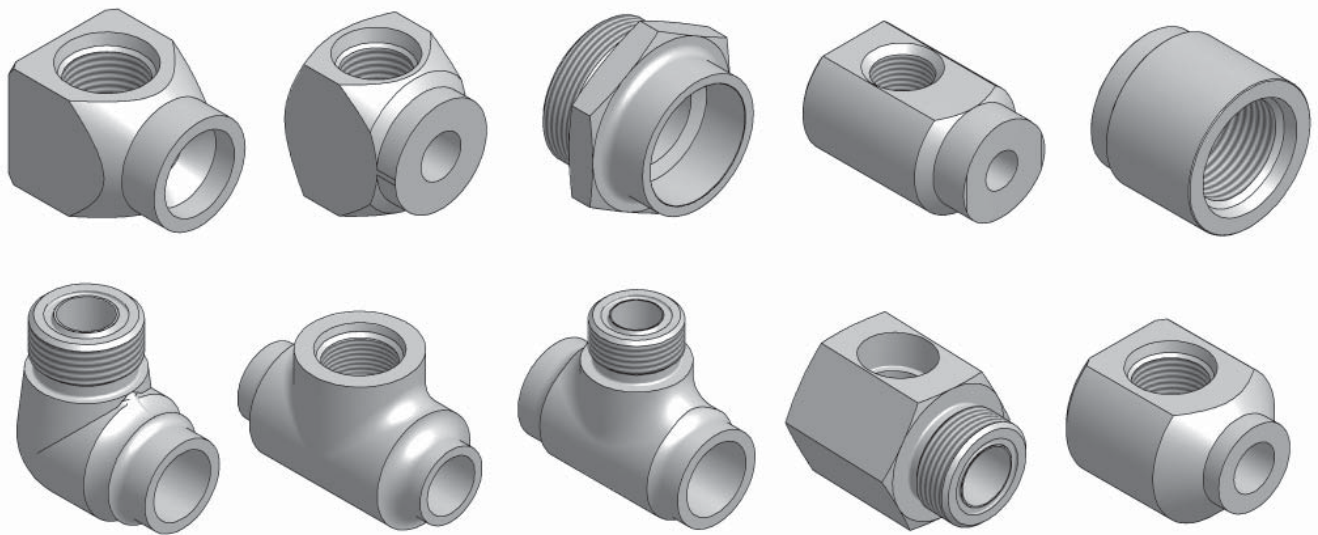


# WELD COUPLINGS

## IN EVERY POSSIBLE SIZE, SHAPE & CONFIGURATION



Anchor Fluid Power offers a complete line of standard weld couplings for use with OEM products such as hydraulic reservoirs, cylinders, pipe & tube assemblies. A wide variety of thread & radius configurations are available to meet your specific design / dimensional requirements.

Contact Anchor Fluid Power, an ISO 9001:2008 registered company, for all of your custom weld coupling requirements. We also offer warehousing services in order to better meet your ongoing production schedules.

FLOW, NEEDLE & CHECK VALVES

HYDRAULIC BALL VALVES

WELD COUPLINGS

FLANGES