

EcoShape Tubular Framing System



Unmatched Versatility

Rexroth's new EcoShape Tubular Framing System makes an almost unlimited number of designs possible with just 14 standard components.

The only tubular framing system of its kind, it is T-slot enabled and fully compatible with profiles in Rexroth's Modular Aluminum Framing System and Manual Production Systems.



Create the perfect configuration in no time with **free MTpro planning software** available from Airline.



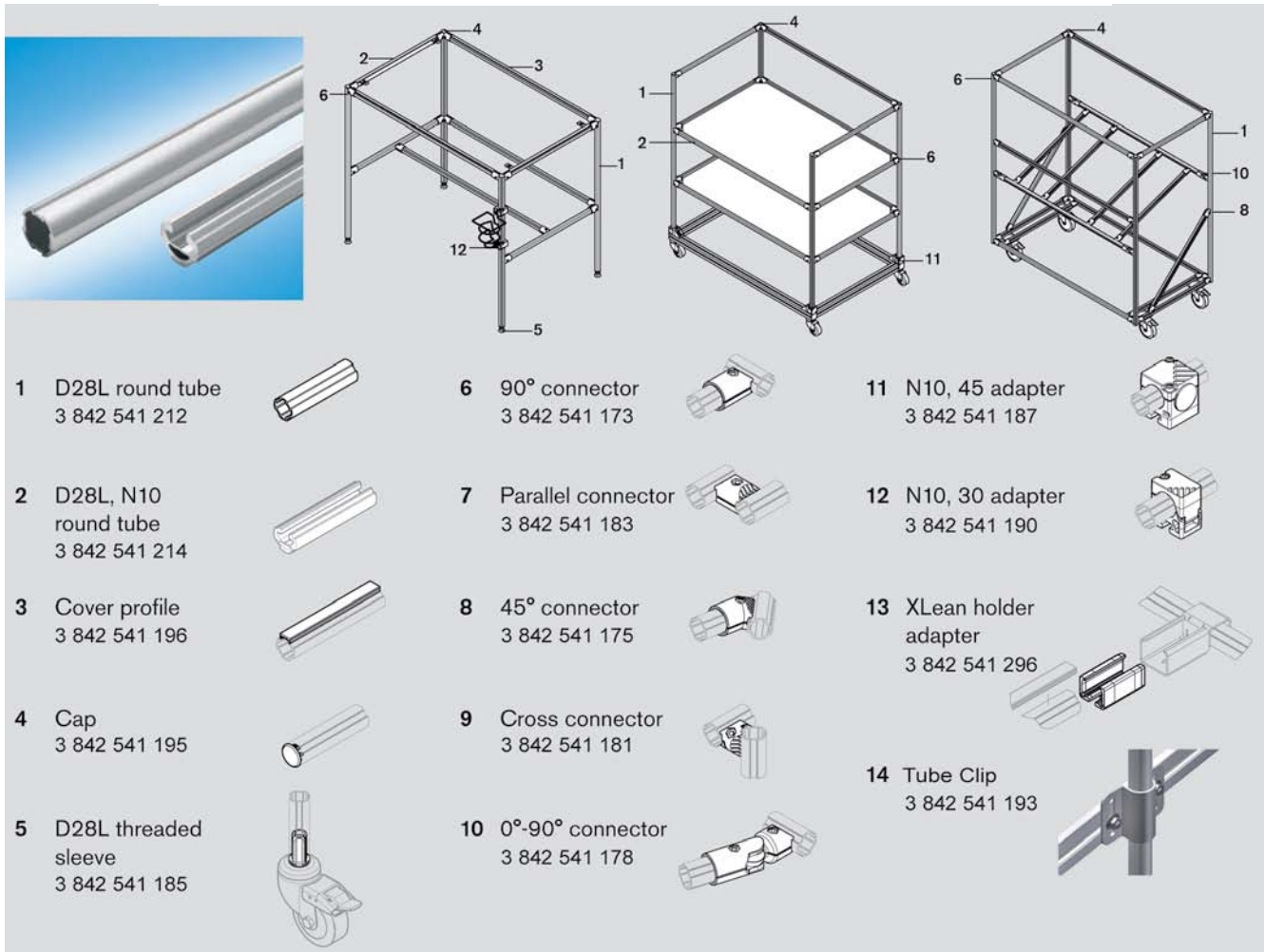
EcoShapeStarter Kit

Save time and money with our Starter Kit which includes:

- 50 pcs. D28L Round Tube
- 20 pcs. D28L, N10 Round Tube with T-slot
- 200 pcs. 90° Connector
- 20 pcs. 45° Connector
- 20 pcs. 0-90° Connector
- 20 pcs. Cross Connector
- 20 pcs. Parallel Connector
- 60 pcs. Threaded Sleeve D28L
- 60 pcs. End Cap Cover D28L
- 20 pcs. Adapter N10, 45
- 20 pcs. Adapter N10; 30
- 20 pcs. Leveling foot

PART NUMBER	DESCRIPTION	UNIT PRICE
3 842 555 000	EcoShape Starter Kit	\$3,150.00

EcoShape Tubular Framing Components



PART NUMBER	DESCRIPTION	UNIT PRICE	QTY. 100+
3 842 541 212	D28L Round Tube D=28mm, L=5600mm (Diagram 1)	\$23.83	n/a
3 842 996 191/_mm	D28L Round Tube Cut to Length	\$3.00 cut charge + \$0.0053 per mm	n/a
3 842 541 211	D28L Round Tube (above) - Bundle of 50	\$1,131.93	n/a
3 842 541 214	D28L, N10 Round Tube D=28mm, L=5600mm (Diagram 2)	\$36.41	n/a
3 842 996 192/_mm	D28L, N10 Round Tube Cut to Length	\$3.00 cut charge + \$0.0079 per mm	n/a
3 842 541 213	D28L, N10 Round Tube (above) - Bundle of 20	\$691.79	n/a
3 842 541 196	Slide Rail Grey L=2000 mm (Diagram 3)	\$3.96	n/a
3 842 541 195	End Cap Cover D28L, Black ESD (Diagram 4)	\$0.88	\$0.83
3 842 541 185	Threaded Sleeve D28L (Diagram 5)	\$3.08	\$2.92
3 842 541 173	90° Connector (Diagram 6)	\$1.98	\$1.87
3 842 541 183	Parallel Connector (Diagram 7)	\$3.08	\$2.92
3 842 541 175	45° Connector (Diagram 8)	\$3.08	\$2.92
3 842 541 181	Cross Connector (Diagram 9)	\$3.08	\$2.92
3 842 541 178	0°- 90° Connector (Diagram 10)	\$5.28	\$4.95
3 842 541 187	Adapter N10, 45 (Diagram 11)	\$5.28	\$4.95
3 842 541 190	Adapter N10, 30 (Diagram 12)	\$4.18	\$3.96
3 842 541 296	XLean Holder Adapter (Diagram 13)	\$3.08	\$2.92
3 842 541 193	Tube Clip D28L, N10 (Diagram 14)	\$3.08	\$2.92