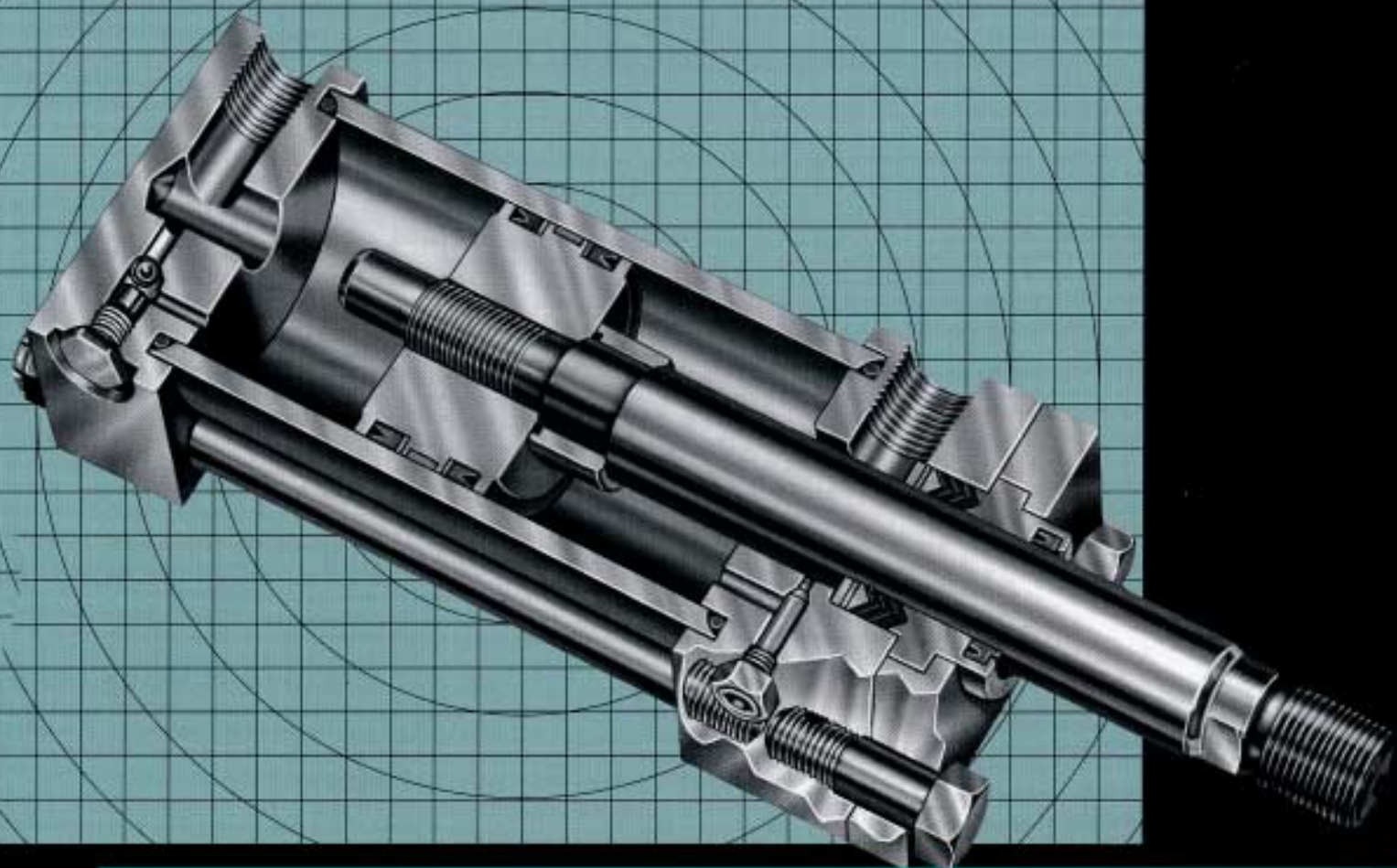


**milwaukee**  
*Cylinder*

# **SERIES LH**

1½" Thru 6" Bore

750 TO 1500 PSI



# **LOW PRESSURE HYDRAULIC CYLINDERS**

*with Removable Retainers*



National  
**FLUID  
POWER**  
Association  
MEMBER

# How to use this catalog...

Before selecting a cylinder, take a few moments to read through this catalog. Pay particular attention to the pages concerning design options and rod size selection.

A Complete Index is shown below; page 4LH offers a Quick Index. The Complete Index is divided into sections according to subject with a brief description and the associated page number. The Quick Index illustrates the standard available mountings, with the number of the page containing dimensional data.

## Complete index

SUBJECT	DESCRIPTION	PAGE
General	QUICK INDEX .....	4LH
	DESIGN FEATURES .....	5LH
Mounting specifications	PISTON ROD END STYLES.....	2LH
	TIE ROD MOUNTS .....	7LH
	FLANGE MOUNTS .....	9LH
	SIDE AND LUG MOUNTS.....	11LH
	PIN AND TRUNNION MOUNTS.....	13LH
	DOUBLE ROD END CYLINDERS .....	21LH
KEY MOUNTS .....	21LH	
Accessories	CLEVIS .....	26LH
	BRACKETS.....	26LH
	PINS .....	26LH
	ROD EYES.....	26LH
Design options	SPECIAL CYLINDERS .....	15LH
	SPECIAL ROD ENDS.....	15LH
	SPECIAL ASSEMBLIES FROM STANDARD PARTS .....	15LH
	COMBINED MOUNTINGS .....	15LH
	CUSHION ADJUSTMENT LOCATIONS.....	15LH
	REMOVABLE TRUNNION PINS.....	15LH
	SINGLE ACTING CYLINDERS .....	15LH
	SINGLE ACTING SPRING CYLINDERS.....	15LH
	WATER SERVICE CYLINDERS.....	15LH
	TAIL-ROD LIMIT SWITCH CYLINDER .....	15LH
	PORTS.....	16LH
	STANDARD.....	16LH
	OVERSIZE .....	16LH
	STRAIGHT THREAD .....	16LH
	LOCATION.....	16LH
ROD BOOTS.....	16LH	
METALLIC ROD WIPERS .....	16LH	
ADJUSTABLE STROKE CYLINDERS .....	16LH	
Engineering data	STOP TUBE.....	17LH
	ROD SIZE SELECTION .....	18LH
	HYDRAULIC PRESSURE AND FLOW DATA .....	18LH
Installation and maintenance notes	STORAGE.....	19LH
	INSTALLATION.....	19LH
	MOUNTING RECOMMENDATIONS .....	19LH
	CYLINDER TROUBLE SHOOTING .....	19LH
	CYLINDER MAINTENANCE.....	19LH
Order information	HOW TO ORDER.....	23LH
	CYLINDERS.....	23LH
	REPLACEMENT PARTS .....	23LH
	CYLINDER ORDER CODE —	
	MODEL NUMBER.....	25LH