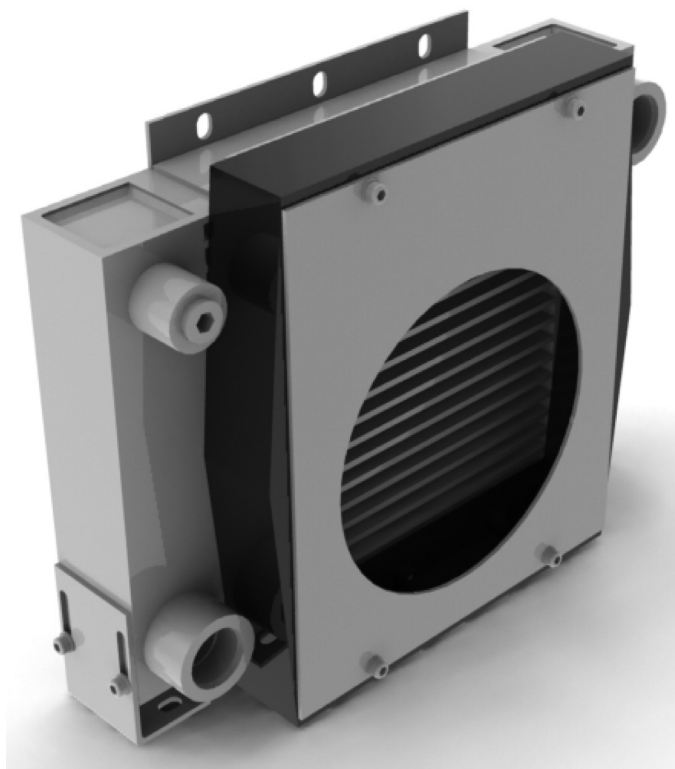
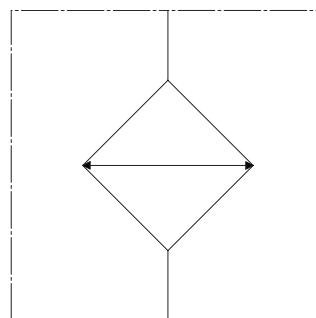




ELD M Series Air Cooled Oil Coolers for Industrial Applications



Hydraulic Symbol



Specifications

Size	TEFC Motor Frame Size	Air Flow
ELD M 1.5	48-184	350CFM
ELD M 2	213-256	700CFM
ELD M 3	254-365	1000CFM

Description

These coolers are designed with a high performance brazed bar and plate type heat exchanger for high efficiency. Included with the cooler package is a shroud with gasket to seal to the motor fan and adjustable mounting feet.

Features

- Coolers to mount on rear of TEFC frame motors
- Power unit case drain coolers
- 3 sizes
- Designed for power units
- Replaces Thermal Transfer RM series
- Utilizes ELD standard cores and shrouds.

Applications



Gearboxes



Industrial

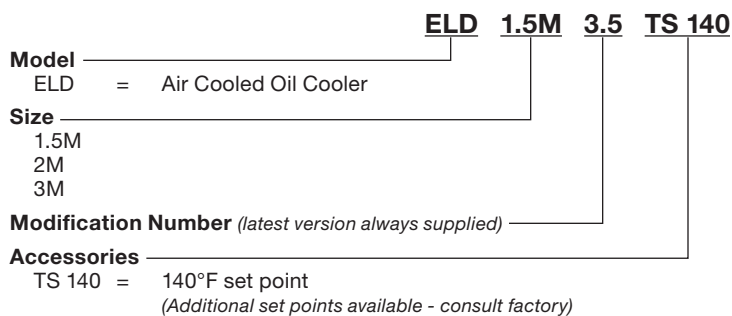


Elevators

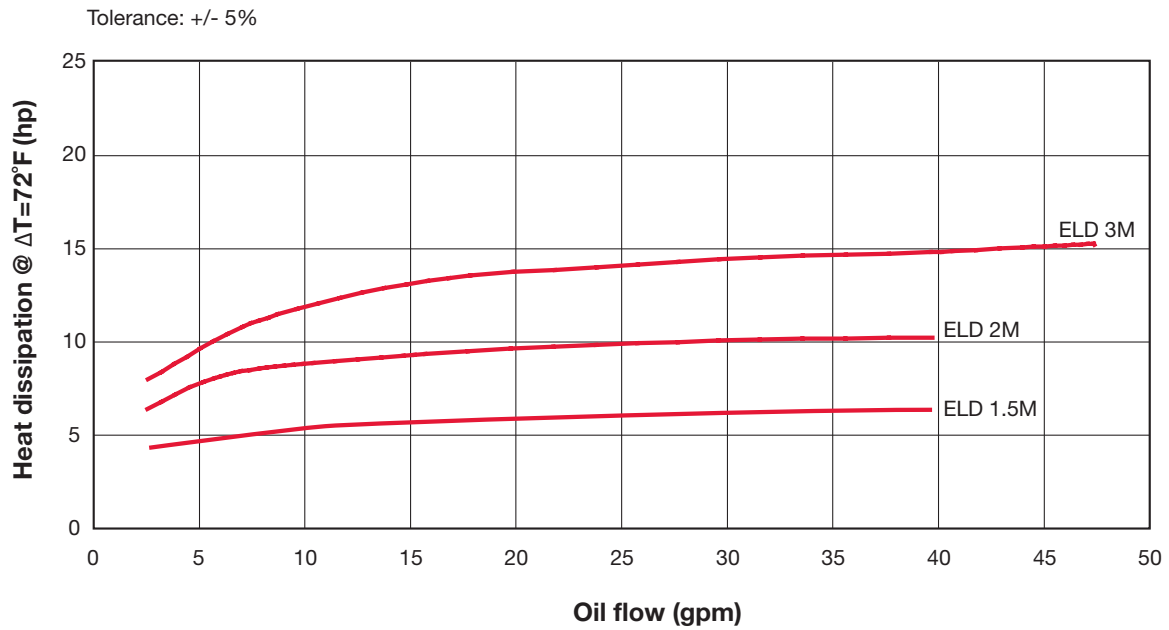


Steel / Heavy Industry

Model Code

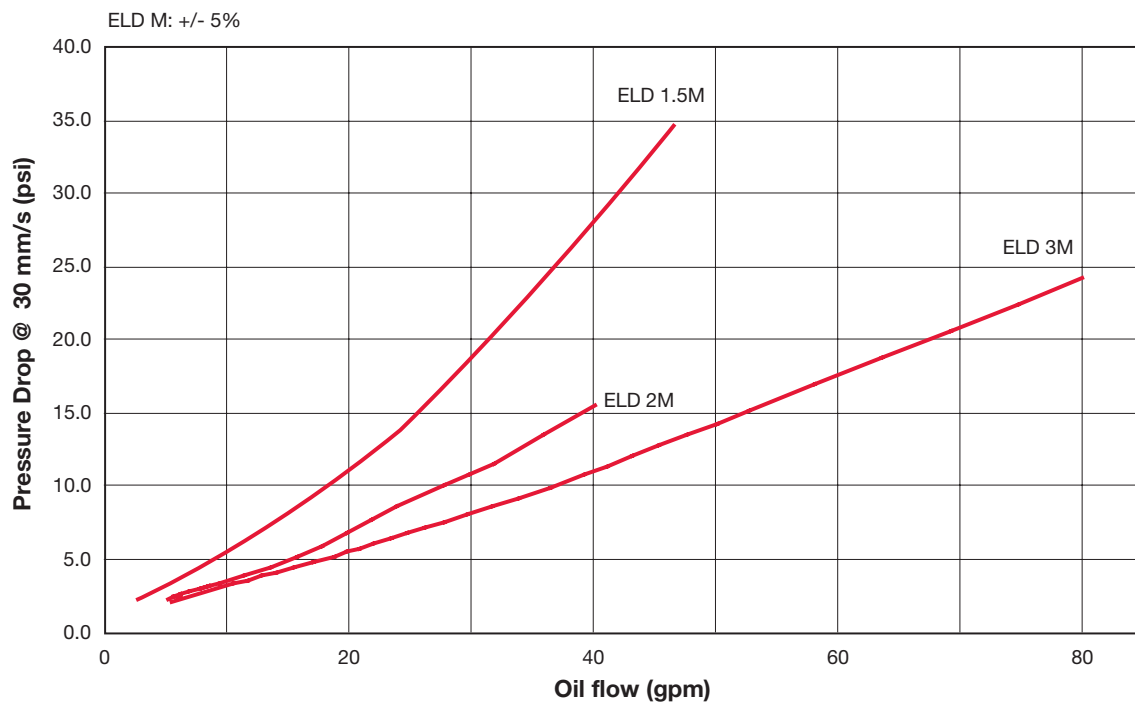


Heat Dissipation



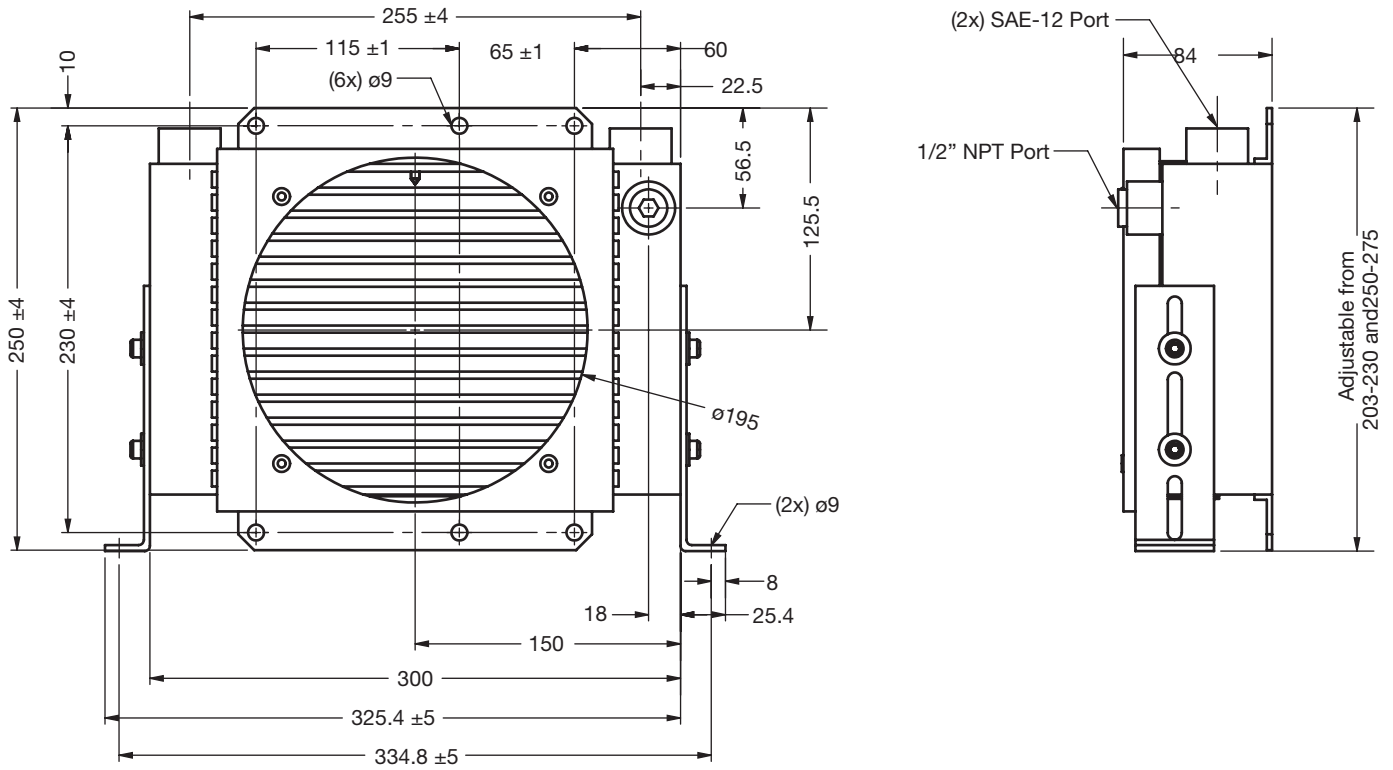
*Performance based on air flow rates.

Pressure Drop

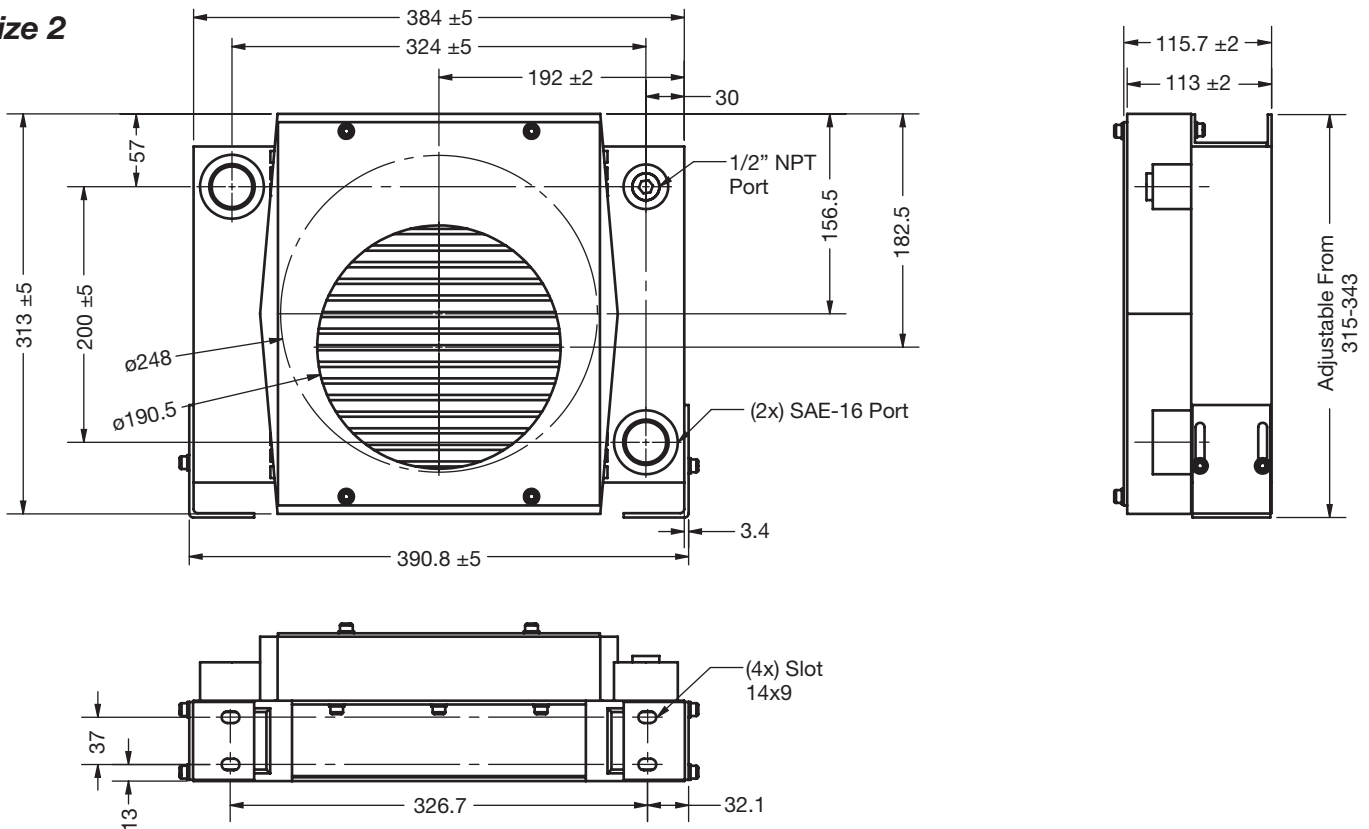


*Values measured at T = 72°F, may vary at lower dT values

**Dimensions
Sizes 1.5**



**Dimensions
Size 2**



Dimensions
Size 3

