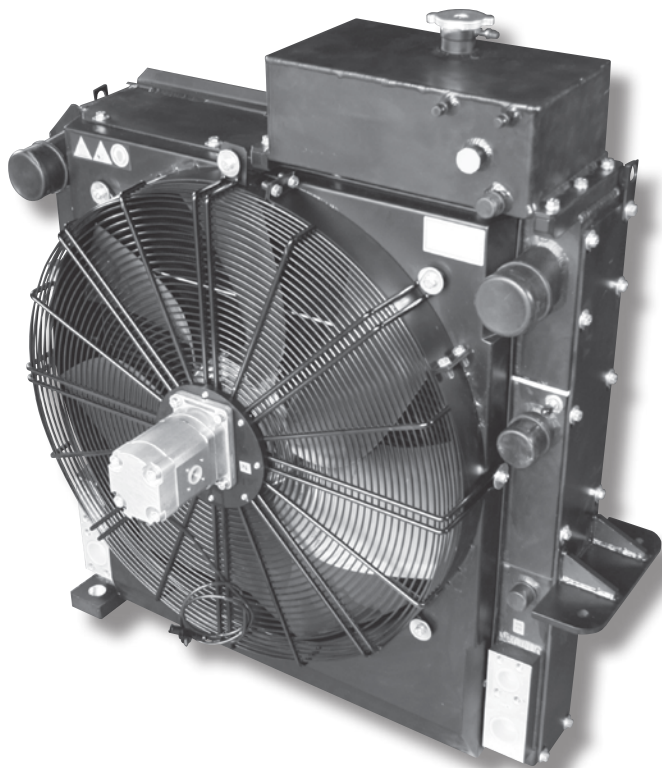


Combi-Coolers for Mobile Applications All of Your Needs in ONE Package!



With the increased demands for energy efficiency and noise emission requirements for Mobile Equipment requires Cooling Systems to be developed to specific custom dimensions for each vehicle.

HYDAC coolers use a combination of high performance cooling elements combined with high capacity hydraulic driven fan solutions.

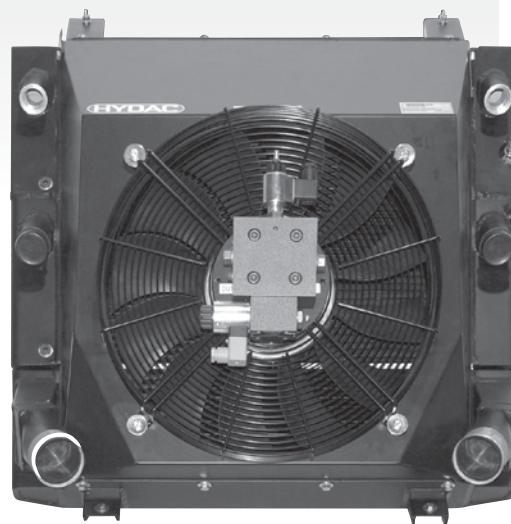
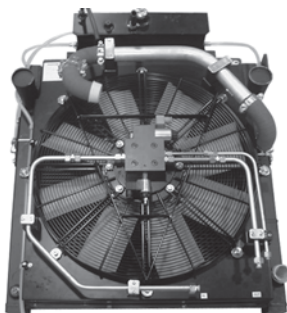
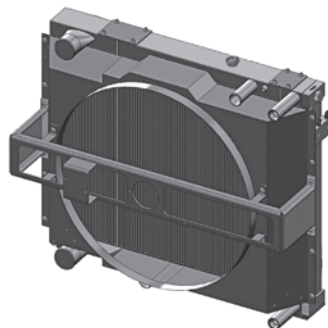
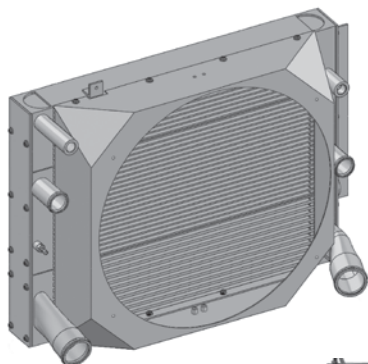
Long life DC electrical fans provide long trouble free operation in mobile hydraulic applications. The compact design of HYDAC cooling systems allows us to fit in most equipment, providing highest cooling performance.

To comply with legal requirements for noise, fuel economy and emissions (TIER IV) we have a series of advantageous solutions, space optimization and increased cooling efficiency available.

- integrated pressure / thermal bypass valves
- hydraulic driven fan with proportional and reversible function
- electrical speed controlled fan drive systems

Multiple Combined Cooling Systems Available For:

- Hydraulic
- Radiator
- Charge Air
- Fuel
- Auxillary Cooler
- Transmission



Please see following page for our technical data inquiry sheet and contact our cooling department for more details.