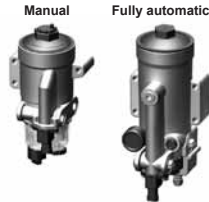
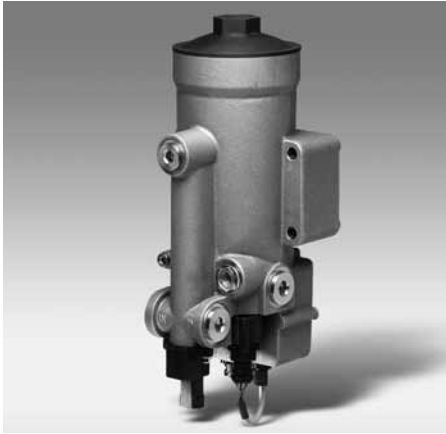


Diesel PreCare HDP up to 600 l/h



1. TECHNICAL SPECIFICATIONS

1.1 FILTER

The Diesel PreCare is an innovative system for diesel prefiltration which protects vehicle manufacturers and operators against breakdowns, downtimes and expensive service calls. The HYDAC solution "Diesel PreCare" is available as a cup filter in two versions:

- Manual water discharge (BestCost) – the conventional, operator-dependent solution
- Fully automatic water discharge Plug&Play (HighTech) – the innovative solution for fully automatic dewatering, independent of the operator, even during suction-side operation.

1.2 FILTER ELEMENTS

The filter element features 2-stage water separation.

HYDAC filter elements are validated and their quality is constantly monitored according to the following standards:

- ISO CD 16332
- ISO 19438

1.3 FILTER SPECIFICATIONS

Operating pressure	< 1 bar
Flow rate	BestCost: up to 340 l/h HighTech: up to 600 l/h
Mounting thread	BestCost: M22x1.5 HighTech: G 3/4 (others on request)
Temperature range	BestCost: -40 °C to +90 °C HighTech: -20 °C to +90 °C
Nominal voltage	24 V DC (optional 12 V)
Rated output	300 W
Fuel pre-heating	
Water separation efficiency	>95% in accordance with ISO CD 16332

1.4 SPECIAL MODELS AND ACCESSORIES

- Water sensor (present as standard on HDP 600)
- Fuel pre-heating
- Clogging indicator (only HDP 600)
- Others on request

1.5 SPARE PARTS

See Original Spare Parts List

1.6 CERTIFICATES AND APPROVALS

On request

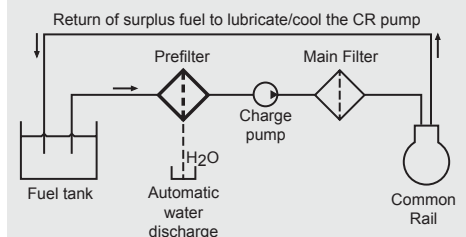
1.7 FUEL RESISTANCE

Diesel, biodiesel (B0-B100),
(non-conductive)

1.8 MAINTENANCE INSTRUCTIONS

- Only for suction-side operation
- Filter housings must be earthed.
- When using electrical clogging indicators, the system must be disconnected from the power source before removing the clogging indicator plug.
- Due to the likelihood of freezing, there must be no restriction in the drain line. This is to compensate for the expansion.

Symbol for hydraulic systems



2. MODEL CODE (also order example)

HDP KF1 340 BC1 10 W 1.X /-AS1

2.1 COMPLETE FILTER "BESTCOST" (MANUAL DESIGN)

Filter type _____

HDP

Filter material _____

KF1 Fuel filter media stage

Size _____

HDP: 340

Evolution stage _____

BC1

Filtration rating _____

10 µm Standard, fully synthetic

30 µm fully synthetic

7 µm high performance fibre mix (glas/synthetic)

Type of clogging indicator _____

W no connection for a clogging indicator

Type code _____

1

Modification number _____

X the latest version is always supplied

Supplementary details _____

AS1 with integrated water sensor

H1 with integrated fuel pre-heating

Kxxx customer-specific

2.2 SPARE ELEMENT "BESTCOST"

0340 BC1 010 KF1 /-Kxxx

Size _____

0340

Evolution stage _____

BC1

Filtration rating in µm _____

010 Standard, fully synthetic

030 fully synthetic

007 high performance fibre mix (glas/synthetic)

Filter material _____

KF1 Fuel filter media stage

Supplementary details _____

Kxxx (for descriptions, see point 2.1)

2.3 COMPLETE FILTER "HIGHTECH" (FULLY AUTOMATIC DESIGN)

HDP KF1 600 HT1 10 UED 1.X /-AS1

Filter type _____

HDP

Filter material _____

KF1 Fuel filter media stage

Size _____

HDP: 600

Evolution stage _____

HT1

Filtration rating _____

10 µm Standard, fully synthetic

30 µm fully synthetic

7 µm high performance fibre mix (glas/synthetic)

Type of clogging indicator _____

A Steel blanking plug in indicator port

UED Vacuum gauge

Type code _____

1

Modification number _____

X the latest version is always supplied

Supplementary details _____

AS1 Standard: with integrated water sensor

H1 with integrated fuel pre-heating

Kxxx customer-specific

2.4 SPARE ELEMENT "HIGHTECH"

0600 HT1 010 KF1 /-Kxxx

Size _____

0600

Evolution stage _____

HT1

Filtration rating in µm _____

010 Standard, fully synthetic

030 fully synthetic

007 high performance fibre mix (glas/synthetic)

Filter material _____

KF1 Fuel filter media stage

Supplementary details _____

Kxxx (for descriptions, see point 2.3)

2.5 REPLACEMENT CLOGGING INDICATOR

VMF 1 UED . X

Type _____

VMF Thread G 1/8

Pressure setting _____

1 standard -1 to 0 bar (others on request)

Type of clogging indicator _____

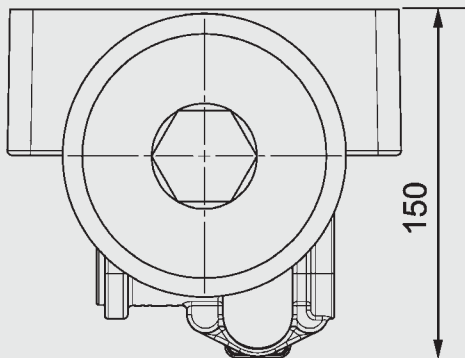
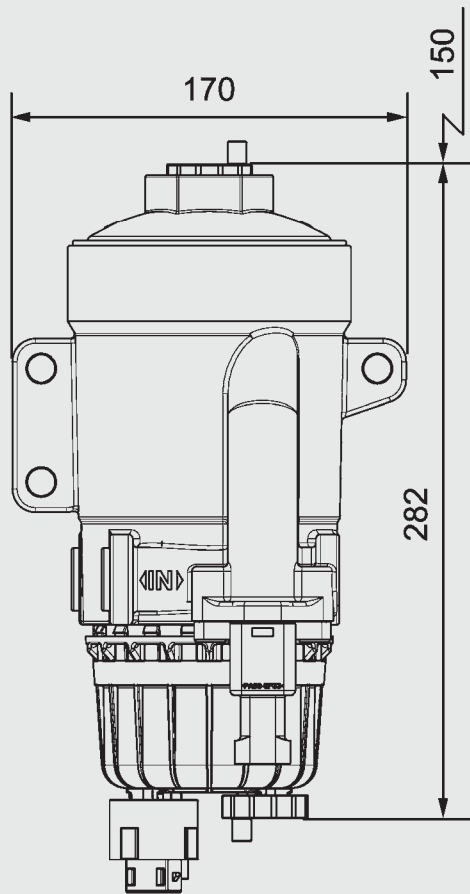
(see Point 2.3)

Modification number _____

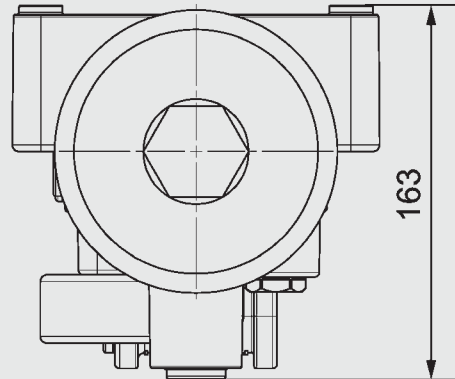
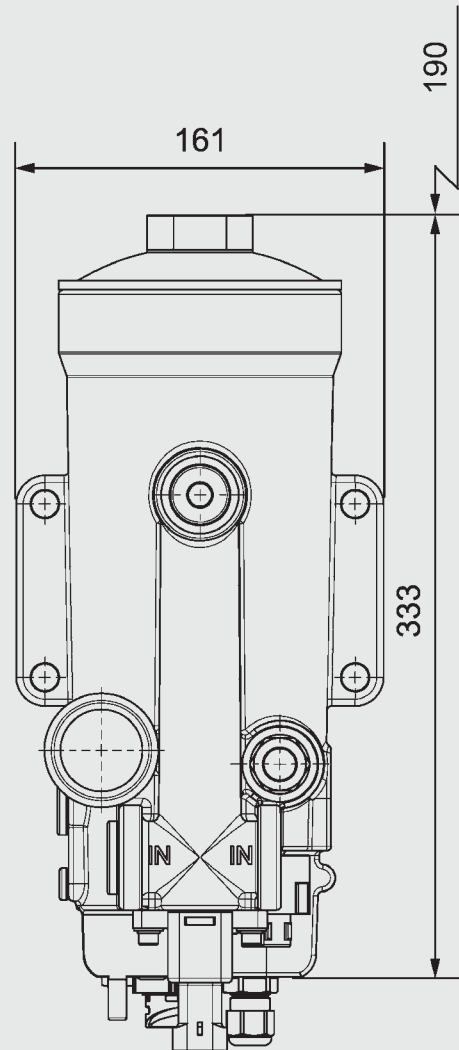
X the latest version is always supplied

4. DIMENSIONS

HDP 340 "BestCost"
(manual design)



HDP 600 "HighTech"
(fully automatic design)



HDP	Weight incl. element [kg]
340	2.30
600	4.25

NOTE

The information in this brochure relates to the operating conditions and applications described.
For applications or operating conditions not described, please contact the relevant technical department.
Subject to technical modifications.

HYDAC FILTERTECHNIK GMBH
Industriegebiet
66280 Sulzbach/Saar, Germany
Tel.: 0 68 97 / 509-01
Fax: 0 68 97 / 509-300
Internet: www.hydac.com
E-mail: filter@hydac.com