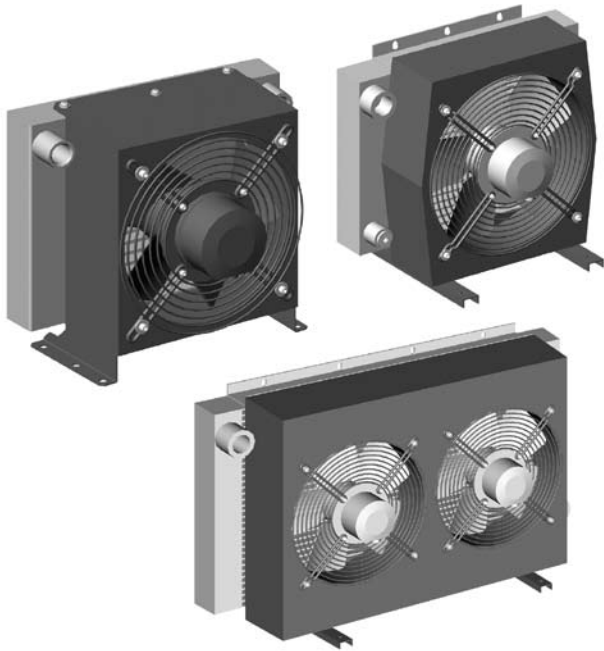
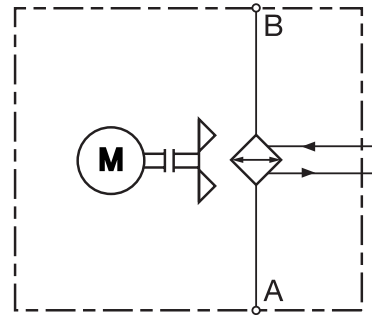


OKC Series Air Cooled Oil Coolers

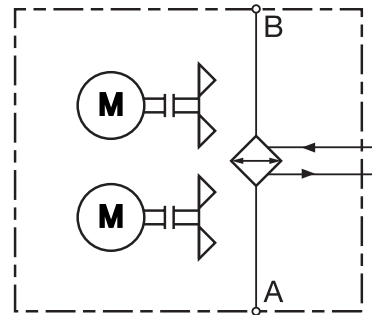


Hydraulic Symbol

Sizes 1 - 5



Sizes 6 - 7



Description

These coolers use a combination of high performance cooling elements and high capacity, compact AC Electric powered fans to give long trouble free operation in hydraulic applications.

The compact design allows the coolers to fit most equipment and provide the highest cooling performance in heat dissipation while minimizing space required.

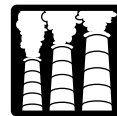
Features

- Cooling Range: up to 23 HP
- AC Motors in 230/460 Volt 50/60 Hz
- Hydraulic Pressure: 230 psi Dynamic

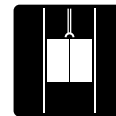
Applications



Gearboxes



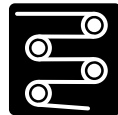
Industrial



Elevators



Power Generation



Pulp & Paper



Railways

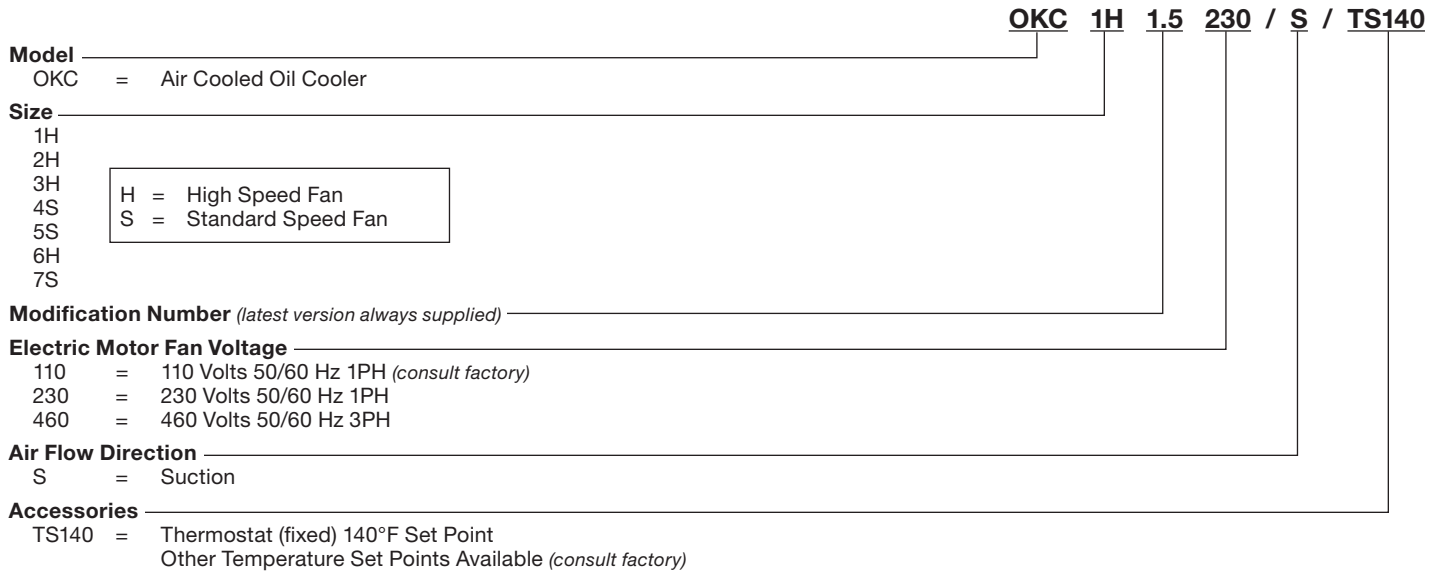


Shipbuilding



Steel / Heavy Industry

Model Code

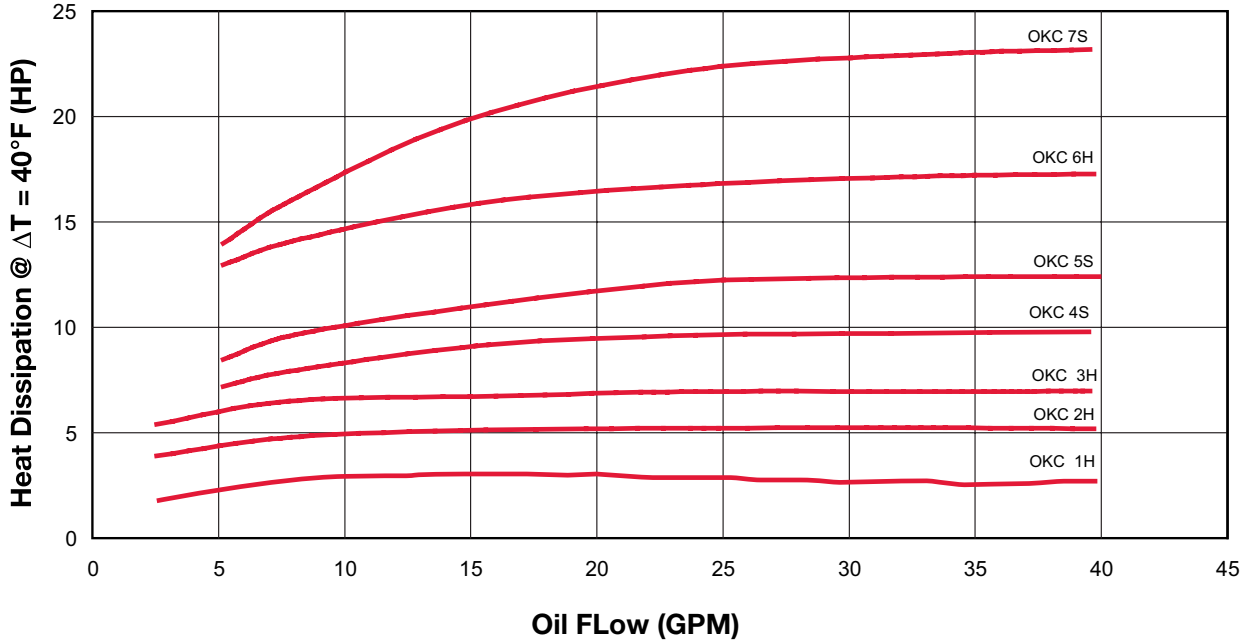


OKC Series

Heat Dissipation

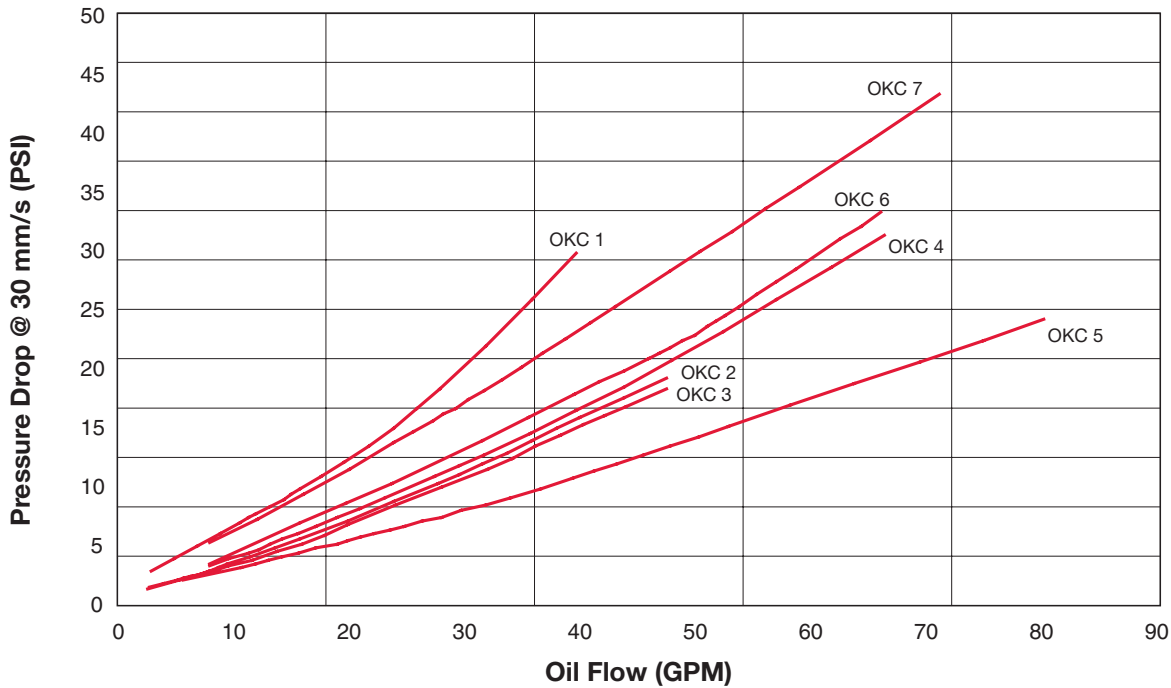
Cooling capacity depending on oil flow and the temperature differential ΔT between the oil inlet and air inlet.
For calculations with low ΔT values (i.e. below 20°F), please contact our technical support.

Tolerance $\pm 5\%$



Pressure Drop

Tolerance $\pm 5\%$



*Pressure Drop Curves above using fluid with a viscosity of 30 mm²/s.
For other viscosities the result must be multiplied by the K Factors below.

Viscosity (mm ² /s)	10	15	22	32	46	54	68	100	150
K Factor	0.5	0.65	0.77	1	1.3	1.52	1.9	2.8	5.3

Engineering Data

Size	Voltage (V)	Amp Draw	Speed @ 60 Hz (rpm)	Noise Level dBa* (1 meter)	Max. Operating Pres. (psi)	Max. Oil Temperature (°F)	Max. Viscosity (mm ² /s)	Weight (lbs.)
OKC 1H	230 / 460	0.52 / 0.25	3105 / 2990	71	230	266	2000	20
OKC 2H	230 / 460	0.52 / 0.30	2990 / 2875	71	230	266	2000	27
OKC 3H	230 / 460	0.74 / 0.41	2990 / 2875	75	230	266	2000	32
OKC 4S	230 / 460	0.91 / 0.50	1610 / 1887	69	230	266	2000	47
OKC 5S	230 / 460	0.91 / 0.50	1610 / 1887	72	230	266	2000	62
OKC 6H	230 / 460	0.74 / 0.41	2990 / 2875	75	230	266	2000	86
OKC 7S	230 / 460	0.91 / 0.50	1610 / 1887	71	230	266	2000	99

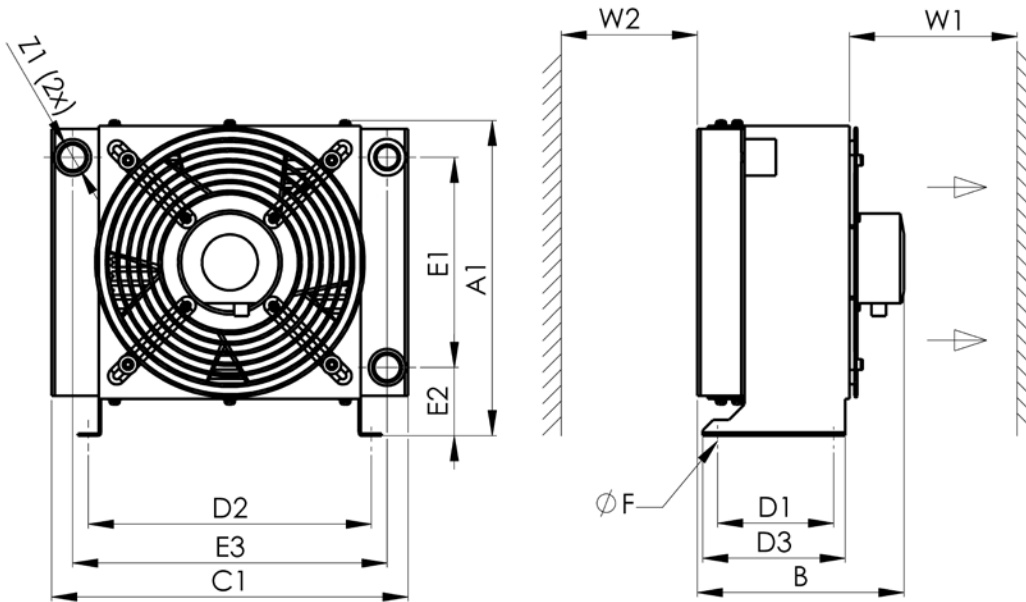
Construction

- Electrical connection box is included
- Capacitor is supplied with the cooler and mounted in the connection box
- All motor with IP55 have protection class F
- All mounting positions possible
- For direction of rotation see arrow on cooler housing
- Cooling Fluid: Mineral oil to DIN 51524

OKC Series

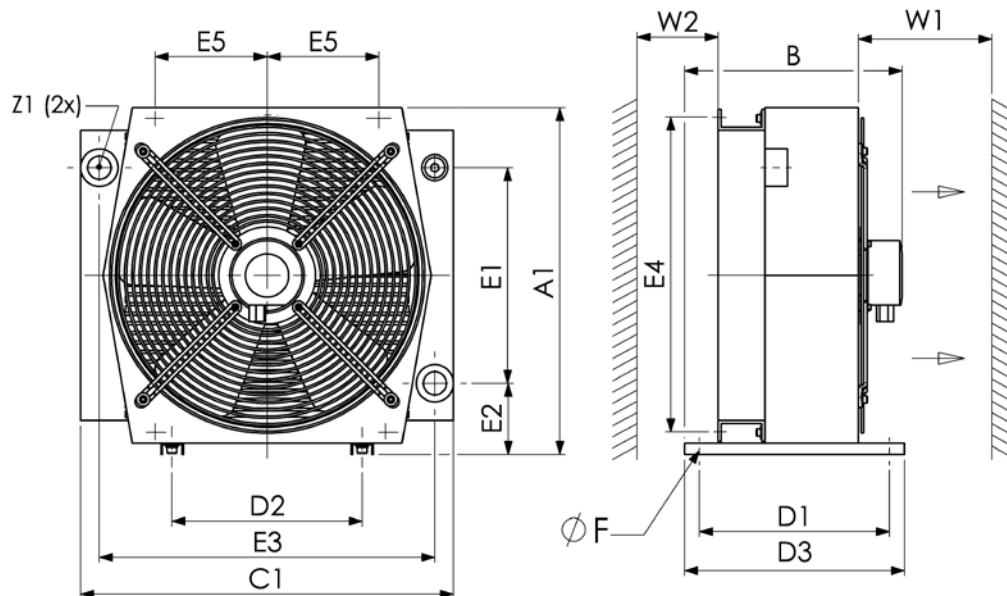
Dimensions

Sizes 1



Size	A1	B	C1	D1	D2	D3	E1	E2	E3	W1	W2	Z1	F (6xØ)	Plug
OKC 1	11.81	8.07	13.39	4.33	10.63	5.35	7.94	2.48	11.81	7.87	2.76	1 1/16" -12 UNF	8.33	1/2" NPT (F)

Sizes 2 - 5



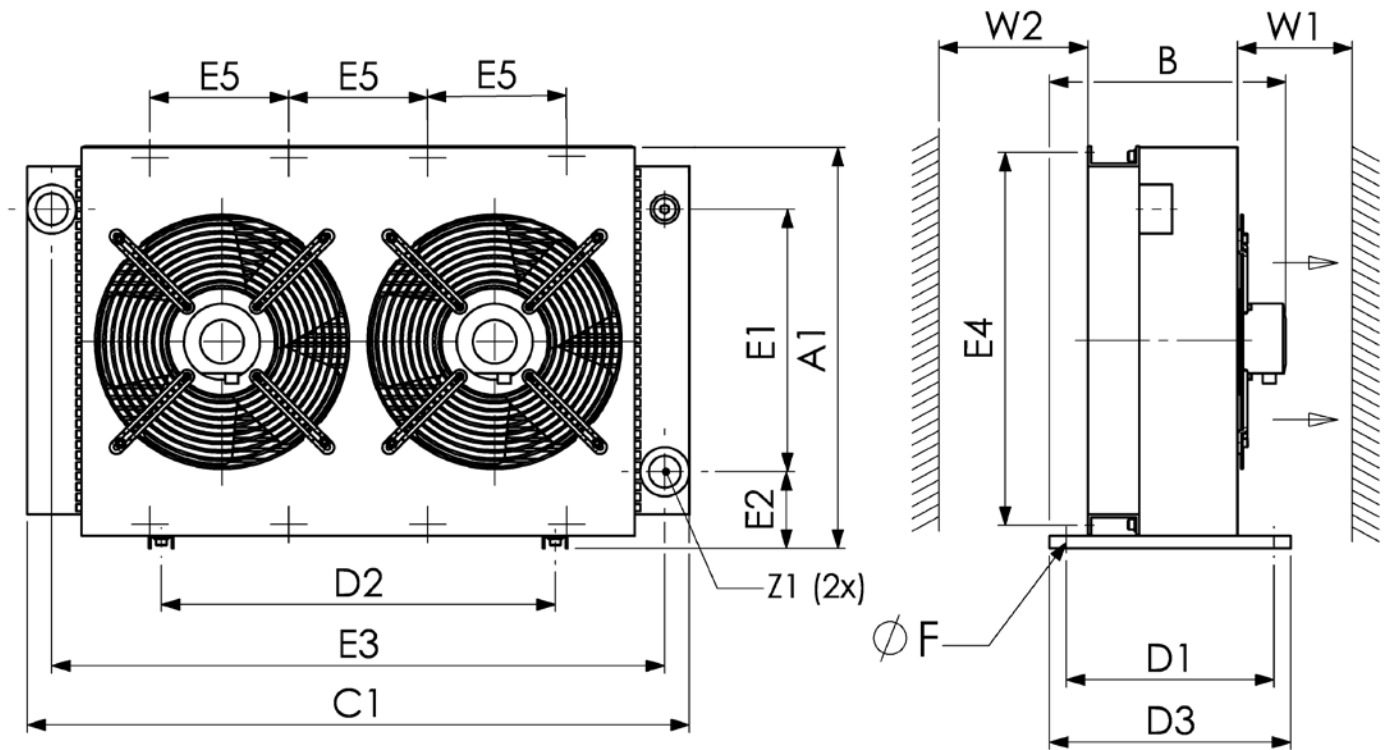
Size	A1	B	C1	D1	D2	D3	E1	E2	E3	E4	E5	W1	W2	Z1	F (4xØ)	Plug
OKC 2	12.91	11.42	15.12	10.04	6.30	11.61	7.87	2.80	12.75	11.34	3.15	9.84	5.91	1 5/16" -12 UNF	0.35	1/2" NPT (F)
OKC 3	14.61	11.30	16.54	10.04	9.45	11.61	9.06	3.07	14.57	12.95	3.94	11.81	7.09	1 5/16" -12 UNF	0.35	1/2" NPT (F)
OKC 4	18.31	11.50	19.69	10.04	10.04	11.61	11.38	3.76	17.72	16.57	5.91	15.75	7.87	2 5/16" -12 UNF	0.35	1/2" NPT (F)
OKC 5	18.70	12.05	23.70	10.04	10.04	11.61	13.76	2.75	19.29	7.87	22.83	15.75	9.84	1 5/8" -12 UNF	0.35	1/2" NPT (F)

Dimensions are for general information only, all critical dimensions should be verified by requesting a certified print.
Dimensions are in inches.

OKC Series

Dimensions

Sizes 6 - 7



Size	A1	B	C1	D1	D2	D3	E1	E2	E3	E4	E5	W1	W2	Z1	F (4xØ)	Plug
OKC 6	19.49	11.38	31.89	10.04	18.98	11.61	12.68	3.70	29.53	17.72	6.69	15.75	7.87	1 5/8" -12 UNF	0.35	1/2" NPT (F)
OKC 7	21.54	11.38	37.40	10.04	18.98	11.61	14.69	3.72	35.04	19.80	7.87	19.80	9.84	1 5/8" -12 UNF	0.35	1/2" NPT (F)

Dimensions are for general information only, all critical dimensions should be verified by requesting a certified print.
Dimensions are in inches.