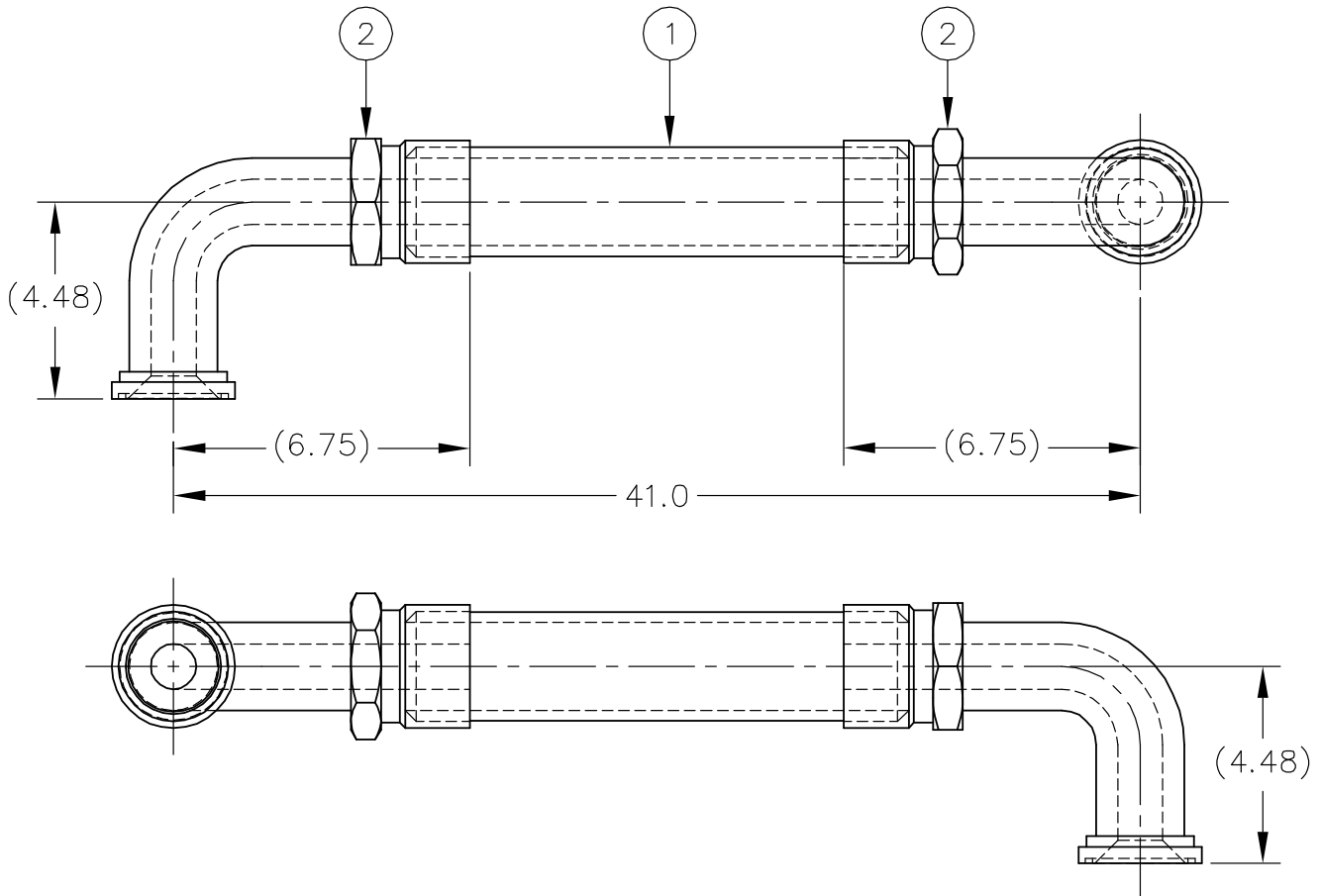


ITEM NO.	QTY. REQD	DWG. NO. PART NO.	DESCRIPTION
1	1	881-32	Parker Hydraulic Hose - No Skive 2"
2	2	11943-32-32	Parker SAE Flanged Connection - 90° Elbow 2" X 2"



HOSE ASS'Y NO.: 881\*\*1919323232-41.0"

MANUFACTURER: PARKER FLUID CONNECTORS

WORKING PRESSURE: 100 PSI

BURST PRESSURE: 400 PSI

△	REVISED HOSE TO 881 SERIES AND UPDATED DESCRIPTION & GRAPHICS.	CWR	01-28-07	ECB
NO.	REVISIONS	BY	DATE	CK.

MAT'L \_\_\_\_\_ FIN. WT. \_\_\_\_\_

This document and all information and design thereon are the property of Metso Industries, Inc., York, PA. This document is confidential and must not be made public or copied without prior written authorization from Metso and is subject to return upon demand. No use of this document or any information or designs thereon is permitted except as is specifically authorized in writing by Metso. Acceptance of possession of this document constitutes full agreement with the above conditions. Copyright © Metso Industries, Inc., 2002.

-PERMISSIBLE TOLERANCES FOR NON-LIMITED DIMENSIONS-  
-ALL TOLERANCES ARE NON-CUMULATIVE-

FABRICATION AND CASTING DIMENSIONS	MACHINING DIMENSIONS
ALL DIMENSIONS IN INCHES .X = ± 0.25" .XX = ± 0.12" .XXX = ± 0.062" ANGULAR = ± 2 DEGREES CHAMFER = ± 4 DEGREES	ALL DIMENSIONS IN INCHES .X = ± 0.06" .XX = ± 0.03" .XXX = ± 0.015" ANGULAR = ± 0°-15' MACHINE SURFACE FINISH 250 RMS - UNLESS NOTED

HOSE ASSEMBLY  
2" I.D. HOSE X 41.0" LG  
PARKER

DR. BV	DT. 10/03/07	A	04-141289
CK. ECB	DT. 10/08/07		
APP.	SC. NTS		