

### **CONSTRUCTION**

- Brass construction. Most valves are made from extruded bodies.
- Metal to metal seats

### **ADVANTAGES**

- Use with copper, aluminum, steel and plastic tubing as applicable
- Excellent for general service with metering capabilities
- Pressure range up to 150 psi

### **ORDERING INFORMATION**

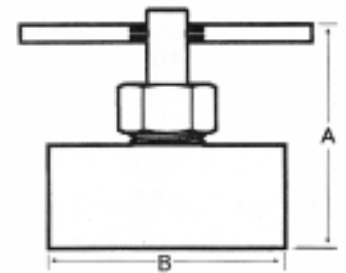
- Order using indicated part number
- Part number indicates style and size
- Compression valves are complete with nuts and sleeves

### **NOTES**

- Current price list represents in stock cataloged items.
- Non-stock items and special parts are available on a quotation basis.
- Configurations and dimensions are subject to change without notice.

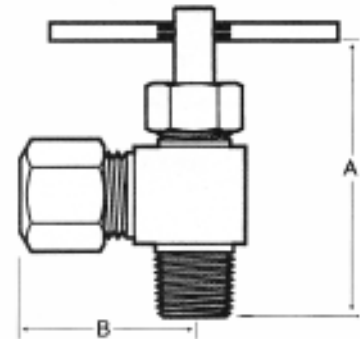
**NEEDLE VALVE FPT TO FPT**

PART NUMBER	PIPE THREAD	A	B
31NV	1/8X1/8	1.60	1.25
32NV	1/4X1/4	1.80	1.82



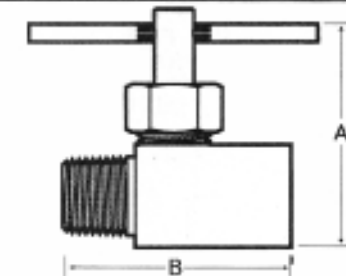
**NEEDLE VALVE COMPRESSION TO MPT**

PART NUMBER	O.D. TUBE	PIPE THREAD	A	B
103CC	1/4	1/8	1.80	.80
103-4CC	1/4	1/4	2.10	.90
203CC	5/16	1/8	1.80	.90
303ACC	3/8	1/8	2.20	1.00
303CC	3/8	1/4	2.20	1.00



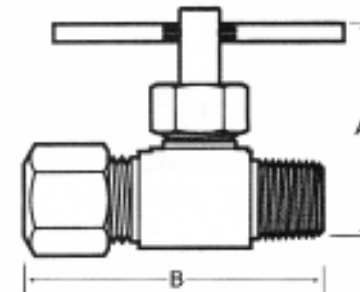
**NEEDLE VALVE FPT TO MPT**

PART NUMBER	PIPE THREAD	A	B
48NV	1/8X1/8	1.30	1.25
49NV	1/4X1/4	1.86	1.87



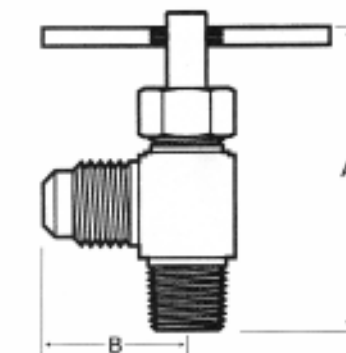
**NEEDLE VALVE COMPRESSION TO MPT**

PART NUMBER	O.D. TUBE	PIPE THREAD	A	B
101CP	1/4	1/8	1.50	1.50
101CP-4	1/4	1/4	1.40	1.60
102CP	5/16	1/8	1.50	1.50
143CP	3/8	1/4	1.80	1.80



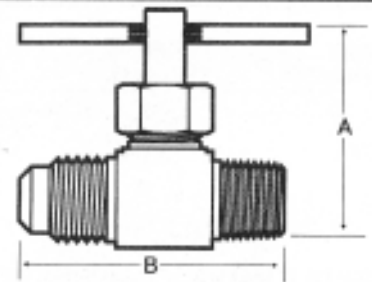
**NEEDLE VALVE FLARE TO MPT**

PART NUMBER	O.D. TUBE	PIPE THREAD	A	B
103SAE	1/4	1/8	1.80	.73
203SAE	5/16	1/8	1.32	.78
204SAE	5/16	1/4	1.54	.84
303SAE	3/8	1/4	1.54	.91



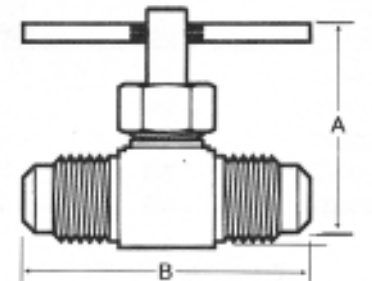
**NEEDLE VALVE FLARE TO MPT**

PART NUMBER	O.D. TUBE	PIPE THREAD	A	B
104SAE	1/4	1/8	1.30	1.30
105SAE	1/4	1/4	1.62	1.30
106SAE	5/16	1/8	1.36	1.45
108SAE	3/8	1/4	1.70	1.70



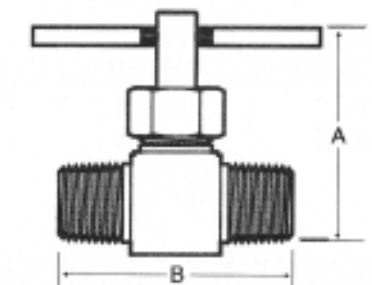
**NEEDLE VALVE FLARE TO FLARE**

PART NUMBER	O.D. TUBE	A	B
110SAE	1/4X1/4	1.30	1.50
115SAE	3/8X3/8	1.70	1.88



**NEEDLE VALVE MPT TO MPT**

PART NUMBER	PIPE THREAD	A	B
108MP	1/8X1/8	1.60	1.25
110MP	1/4X1/4	1.92	1.65



**NEEDLE VALVE COMPRESSION TO COMPRESSION**

PART NUMBER	O.D. TUBE	A	B
106CC	1/4X1/4	1.30	1.80
107CC	5/16X5/16	1.20	1.70
113CC	3/8X3/8	1.90	1.80

