

## CC-10 compact control enclosures

## Application fields and characteristics



BERNSTEIN compact control enclosures from the CC-10 product line are ideal for use as remote operator control stations. Made from die-cast aluminium these enclosures are available from stock in 11 standard sizes. All sizes have an earthing point in the lid and the base for protective earth connection. The captive lid screws are stainless steel and are concealed by push fit corner pieces. The anodised aluminium frontplate (ordered separately) is fixed internally and sealed to the frame with a neoprene gasket maintaining an IP 65 rating for the complete enclosure.

Attachment points provided inside the enclosure facilitate easy mounting of components (mounting rail, mounting plate, PCBs etc.).

### Technical data

#### Material

Aluminium, die-casting AlSi12 (copper)

#### Gasket

Neoprene round seal for lid and front plate  
alternative:  
Silicone round seal

#### Lid screws

Stainless steel, captive screw, multi-purpose cross-head with plastic covering

#### Coating

Base RAL 7035 (light grey)  
Frame RAL 7035 (light grey)  
Frame screw coverings  
RAL 7035 (light grey)  
alternative:  
Special colours according to RAL,  
special coatings

#### Temperature range

– 40 °C to + 80 °C (neoprene gasket)  
alternative:  
– 50 °C to + 130 °C (silicone gasket)

#### Protection class

IP 65

### Material

BERNSTEIN compact control enclosures feature a high mechanical resistance. Their excellent chemical and petro-chemical resistance makes them suitable for a wide range of applications. The enclosures are supplied with a standard coating, affording a good resistance to corrosion. This resistance can be further improved by the application of an additional protective coating. Alternatively, they can be passivated, or a special protective coating resistant to saltwater and ideal for external use, can be applied. Aluminium has excellent heat dissipation and HF radio shielding properties.

A special gasket (silicon or conductive material) can be used to further increase heat and EMC resistance.

### Applications

As compact control enclosures in automation, machine and installation engineering, in utility vehicles, construction or agricultural machinery, in mechanical and plant engineering. Suitable for all uses where operating and indicator controls with a high corrosion resistance and in a high protection class are to be encapsulated with a high mechanical resistance. The front plate is supplied separately, facilitating mounting of fittings. The high industrial standards achieved by BERNSTEIN, allow their enclosures to be effective in a wide range of automation control and instrumentation applications.

### Angled adaptor

BERNSTEIN offers a wide range of accessories for the CC-10. These include angled adaptors which allow the enclosure to be inclined. This makes it possible to install the enclosure in an ergonomic inclined position on a wall or machine. The angled adaptors for the CC-10 compact control enclosure are available in 15° and 30° angles.



# Complete enclosures and accessories

## CC-10 series



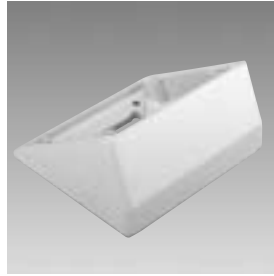
**Standard type**  
enclosure in RAL 7035, light grey, caps in RAL 7035 (light grey), gasket mounted, packaged.



**Front plate**  
clear-anodised aluminium, 3 mm thick, for holding operating controls or indicator panels.



**Handles**  
made from naturally-anodised aluminium profile with plastic corner shoulders in RAL 7035 for subsequent attachment to the frame and base.



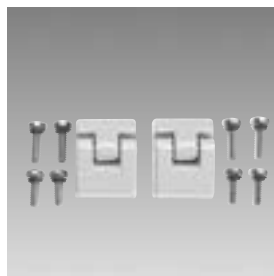
**Angled adaptor**  
with 15°- or 30° angle, RAL 7035, light grey, including gaskets and mounting screws. Mechanical machining required.



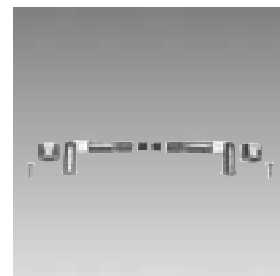
**Mounting plates**  
from galvanised sheet metal (thickness: CC-270 to CC-400: 1.5 mm; CC-450 and CC-460: 2.5 mm) allows for further addition of mounted fittings.



**Mounting rails**  
TS-32 and TS-35, steel, yellow-passivated for terminal block attachment.



**External hinges**  
for hinged mounting of enclosure frames. Opening angle of frame approx. 155°. Aluminium casting, RAL 7035. Mechanical machining required for mounting. Drill template is supplied.



**Internal hinges**  
for hinge attachment of the enclosure lid. Opening angle of lid approx. 95°. Stainless steel. Mechanical machining is required for enclosure mounting.



**Frame gasket, front plate gasket**  
silicone; improved temperature range (-50 °C to +130 °C). Standard type made of silicone foam.

### Overview – CC-10 compact control enclosures

Dimensions/mm L x W x H	CC-10 aluminium enclosures with crimped protective frames		Frame	Base
	Part number	Type	dc = die cast cc = chilled casting	
160 x 160 x 105	<b>127.3.0010.00</b>	CC-270	dc	dc
260 x 160 x 105	<b>129.3.0010.00</b>	CC-290	dc	dc
360 x 160 x 105	<b>131.3.0010.00</b>	CC-310	dc	dc
200 x 230 x 125	<b>135.3.0010.00</b>	CC-350	dc	dc
200 x 230 x 195	<b>136.3.0010.00</b>	CC-360	dc	cc
280 x 230 x 125	<b>137.3.0010.00</b>	CC-370	dc	dc
330 x 230 x 125	<b>138.3.0010.00</b>	CC-380	dc	dc
330 x 230 x 195	<b>139.3.0010.00</b>	CC-390	dc	cc
400 x 230 x 125	<b>140.3.0010.00</b>	CC-400	dc	dc
402 x 310 x 125	<b>145.3.0010.00</b>	CC-450	dc	dc
402 x 310 x 195	<b>146.3.0010.00</b>	CC-460	dc	cc

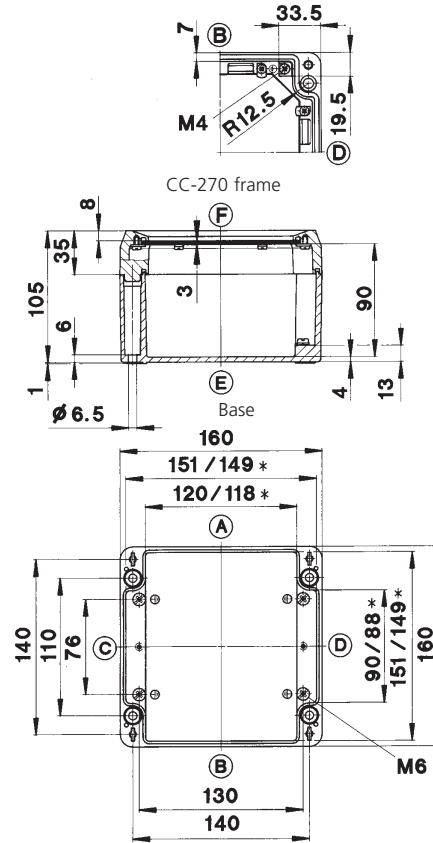
### Customising service

The range of accessories for individual enclosures can be supplied separately or pre-assembled. The BERNSTEIN customising service provides complete mechanical machining. The fittings (terminals, cable glands or customised mounting

components) are included in the service, as is the individual finishing of enclosures. The custom-made front plates (supplied separately) can also be mechanically machined and supplied with individual screen-printing or engraving.

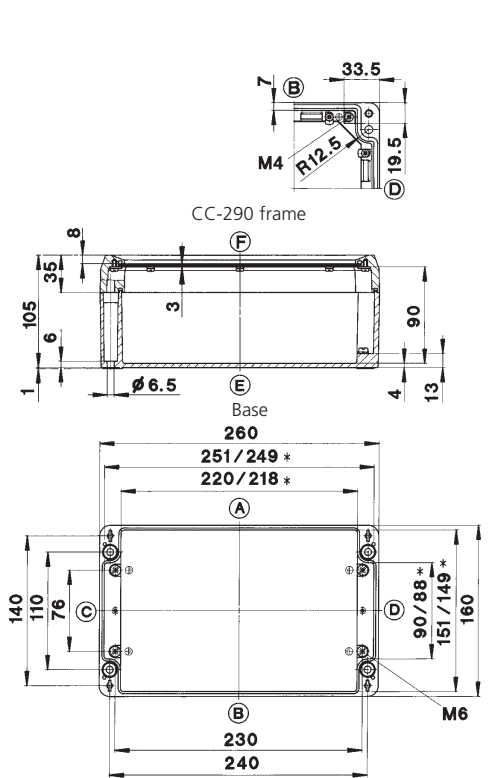
## 160 x 160 x 105 mm

CC-270 aluminium control enclosure



## 260 x 160 x 105 mm

CC-290 aluminium control enclosure

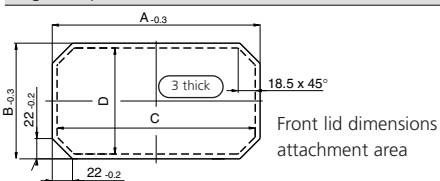


\* minimum dimensions at level of mounting plate support

\* minimum dimensions at level of mounting plate support

Type	CC-270
Weight (g)	1800
External dimensions (mm)	160 x 160 x 105
<b>Complete enclosures</b>	<b>Part number</b>
coated, with gasket and lid screws	<b>127.3.0010.00 ●</b>
<b>Accessories</b> (separate or as a mounting set)	
Front plate	<b>951.1.7580.00 ●</b>
Mounting plate	<b>951.1.1490.00 ●</b>
TS 32 mounting rail	<b>982.1.0020.00 ●</b>
TS 35 mounting rail	<b>982.2.0030.00 ●</b>
External hinges**	<b>980.1.0990.00 ●</b>
Internal hinges with lid guiding**	<b>980.1.0390.00 ●</b>
Frame gasket for extended temp. range (piece goods)**	<b>923.1.0060.00 ●</b>
Front plate gasket for extended temp. range (piece goods)***	<b>923.1.0060.00 ●</b>
Corner handles (C-B/D-B)**	-
Corner handles (B-D/A-D)**	-
Side handles (A/B)**	-
Side handles (C/D)**	-
Angled adaptor 15° (RAL 7035)	<b>101.6.6300.00</b> only side C/D
Angle adaptor 30° (RAL 7035)	-

Type	CC-290
Weight (g)	2300
External dimensions (mm)	260 x 160 x 105
<b>Complete enclosures</b>	<b>Part number</b>
coated, with gasket and lid screws	<b>129.3.0010.00 ●</b>
<b>Accessories</b> (separate or as a mounting set)	
Front plate	<b>951.1.7590.00 ●</b>
Mounting plate	<b>951.1.0490.00 ●</b>
TS 32 mounting rail	<b>982.1.0080.00 ●</b>
TS 35 mounting rail	<b>982.2.0110.00 ●</b>
External hinges**	<b>980.1.0990.00 ●</b>
Internal hinges with lid guiding**	<b>980.1.0390.00 ●</b>
Frame gasket for extended temp. range (piece goods)**	<b>923.1.0060.00 ●</b>
Front plate gasket for extended temp. range (piece goods)***	<b>923.1.0060.00 ●</b>
Corner handles (C-B/D-B)**	-
Corner handles (B-D/A-D)**	-
Side handles (A/B)**	-
Side handles (C/D)**	-
Angled adaptor 15° (RAL 7035)	<b>101.6.6300.00</b>
Angle adaptor 30° (RAL 7035)	<b>101.6.6310.00</b> only side A/B



A x B: 125.5 x 125.5 mm  
C x D: 115 x 115 mm

A x B: 225.5 x 125.5 mm  
C x D: 215 x 115 mm

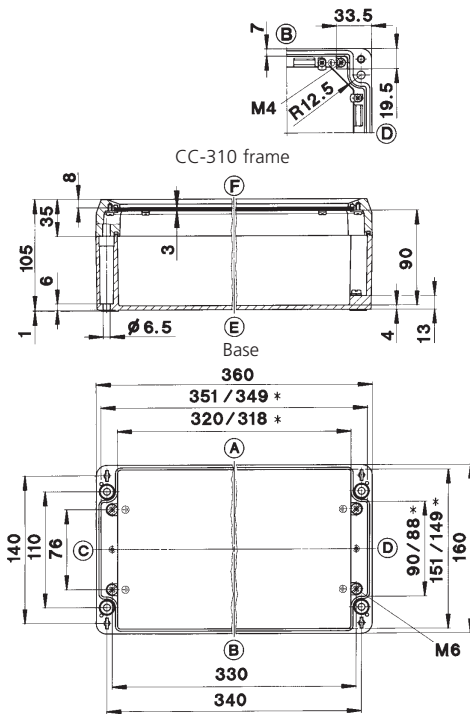
\*\* mechanical enclosure machining required  
\*\*\* piece goods

● = kept in stock

● = kept in stock

## 360 x 160 x 105 mm

CC-310 aluminium control enclosure



\* minimum dimensions at level of mounting plate support

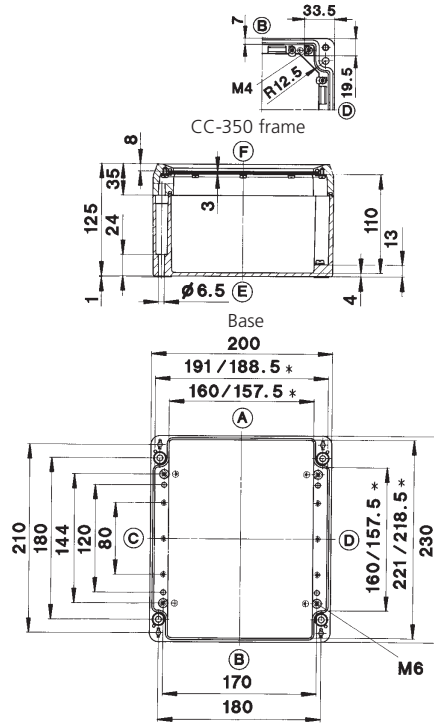
CC-310
2500
360 x 160 x 105
<b>Part number</b>
<b>131.3.0010.00 ●</b>
951.1.7600.00 ●
951.1.1750.00 ●
982.1.0120.00 ●
982.2.0150.00 ●
980.1.0990.00 ●
980.1.0390.00 ●
923.1.0060.00 ●
923.1.0060.00 ●
-
-
-
-
101.6.6300.00
101.6.6310.00

A x B: 325.5 x 125.5 mm  
C x D: 315 x 115 mm

● = kept in stock

## 200 x 230 x 125 mm

CC-350 aluminium control enclosure



\* minimum dimensions at level of mounting plate support

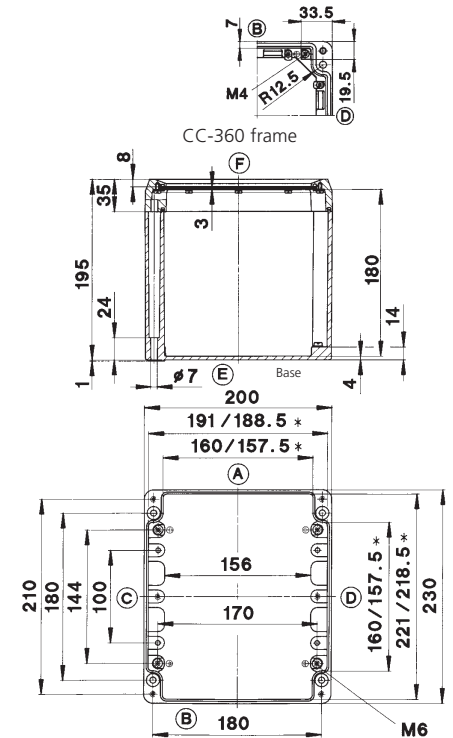
CC-350
2800
200 x 230 x 125
<b>Part number</b>
<b>135.3.0010.00 ●</b>
951.1.7610.00 ●
951.1.0150.00 ●
982.1.0030.00 ●
982.2.0050.00 ●
980.1.0990.00 ●
980.1.0390.00 ●
923.1.0060.00 ●
923.1.0060.00 ●
-
-
981.4.0920.00 ●
981.4.0920.00 ●
101.6.6300.00
101.6.6310.00

A x B: 165.5 x 195.5 mm  
C x D: 155 x 185 mm

● = kept in stock

## 200 x 230 x 195 mm

CC-360 aluminium control enclosure



\* minimum dimensions at level of mounting plate support

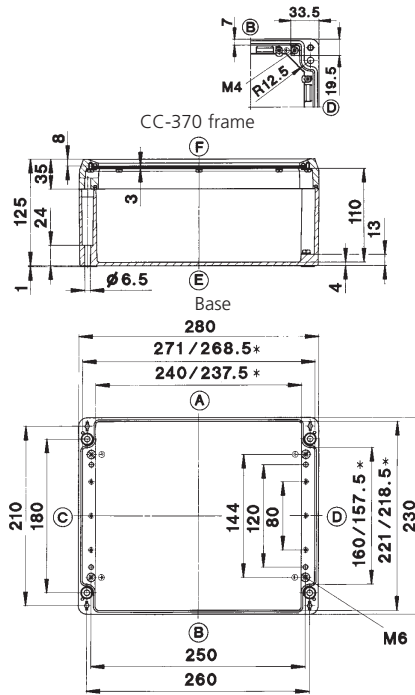
CC-360
4100
200 x 230 x 195
<b>Part number</b>
<b>136.3.0010.00 ●</b>
951.1.7610.00 ●
951.1.0150.00 ●
982.1.0030.00 ●
982.2.0050.00 ●
980.1.0990.00 ●
980.1.0390.00 ●
923.1.0060.00 ●
923.1.0060.00 ●
-
-
981.4.0920.00 ●
981.4.0920.00 ●
101.6.6300.00
101.6.6310.00

A x B: 165.5 x 195.5 mm  
C x D: 155 x 185 mm

● = kept in stock

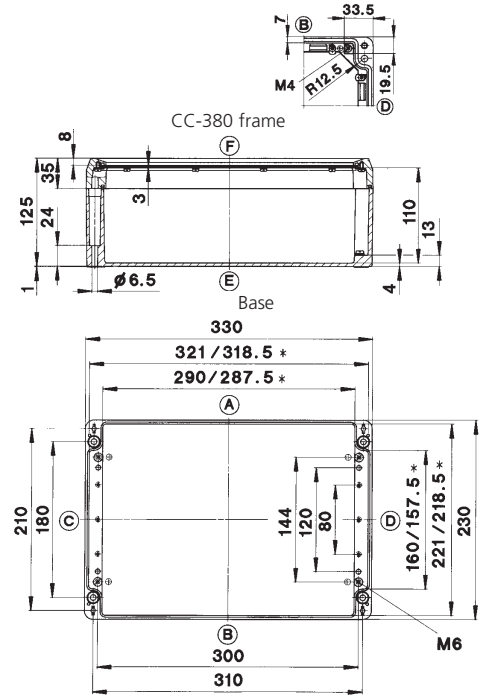
## 280 x 230 x 125 mm

CC-370 aluminium control enclosure

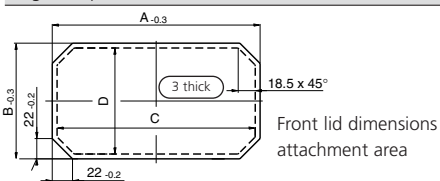


## 330 x 230 x 125 mm

CC-380 aluminium control enclosure



Type	
Weight	(g)
External dimensions	(mm)
<b>Complete enclosures</b>	
coated, with gasket and lid screws	
<b>Accessories</b> (separate or as a mounting set)	
Front plate	
Mounting plate	
TS 32 mounting rail	
TS 35 mounting rail	
External hinges**	
Internal hinges with lid guiding**	
Frame gasket for extended temp. range (piece goods)**	
Front plate gasket for extended temp. range (piece goods)***	
Corner handles (C-B/D-B)**	
Corner handles (B-D/A-D)**	
Side handles (A/B)**	
Side handles (C/D)**	
Angled adaptor 15° (RAL 7035)	
Angle adaptor 30° (RAL 7035)	



\*\* mechanical enclosure machining required  
\*\*\* piece goods

\* minimum dimensions at level of mounting plate support

CC-370	
3400	
280 x 230 x 125	
<b>Part number</b>	
<b>137.3.0010.00 ●</b>	
<b>951.1.7620.00 ●</b>	
<b>951.1.0160.00 ●</b>	
<b>982.1.0090.00 ●</b>	
<b>982.2.0120.00 ●</b>	
<b>980.1.0990.00 ●</b>	
<b>980.1.0390.00 ●</b>	
<b>923.1.0060.00 ●</b>	
<b>923.1.0060.00 ●</b>	
-	
-	
<b>981.4.0930.00 ●</b>	
<b>981.4.0920.00 ●</b>	
<b>101.6.6300.00 ●</b>	
<b>101.6.6310.00 ●</b>	

A x B: 245.5 x 195.5 mm  
C x D: 235 x 185 mm

● = kept in stock

\* minimum dimensions at level of mounting plate support

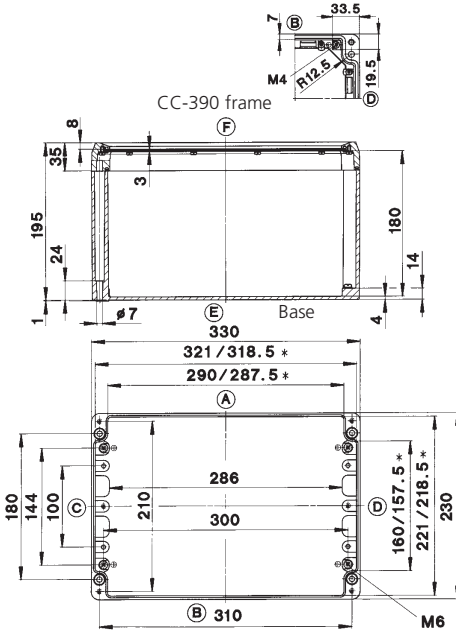
CC-380	
3400	
330 x 230 x 125	
<b>Part number</b>	
<b>138.3.0010.00 ●</b>	
<b>951.1.7630.00 ●</b>	
<b>951.1.0170.00 ●</b>	
<b>982.1.0110.00 ●</b>	
<b>982.2.0140.00 ●</b>	
<b>980.1.0990.00 ●</b>	
<b>980.1.0390.00 ●</b>	
<b>923.1.0060.00 ●</b>	
<b>923.1.0060.00 ●</b>	
-	
-	
<b>981.4.0930.00 ●</b>	
<b>981.4.0920.00 ●</b>	
<b>101.6.6300.00 ●</b>	
<b>101.6.6310.00 ●</b>	

A x B: 295.5 x 195.5 mm  
C x D: 285 x 185 mm

● = kept in stock

### 330 x 230 x 195 mm

CC-390 aluminium control enclosure



\* minimum dimensions at level of mounting plate support

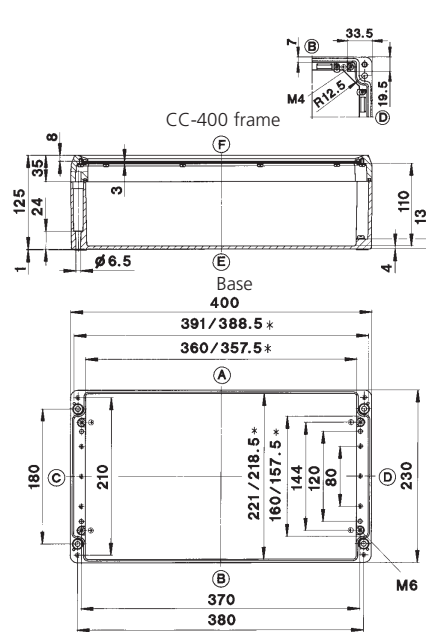
CC-390
5300
330 x 230 x 195
<b>Part number</b>
<b>139.3.0010.00 ●</b>
951.1.7630.00 ●
951.1.0170.00 ●
982.1.0110.00 ●
982.2.0140.00 ●
980.1.0990.00 ●
980.1.0390.00 ●
923.1.0060.00 ●
923.1.0060.00 ●
-
-
981.4.0930.00 ●
981.4.0920.00 ●
101.6.6300.00 ●
101.6.6310.00 ●

A x B: 295.5 x 195.5 mm  
C x D: 285 x 185 mm

● = kept in stock

### 400 x 230 x 125 mm

CC-400 aluminium control enclosure



\* minimum dimensions at level of mounting plate support

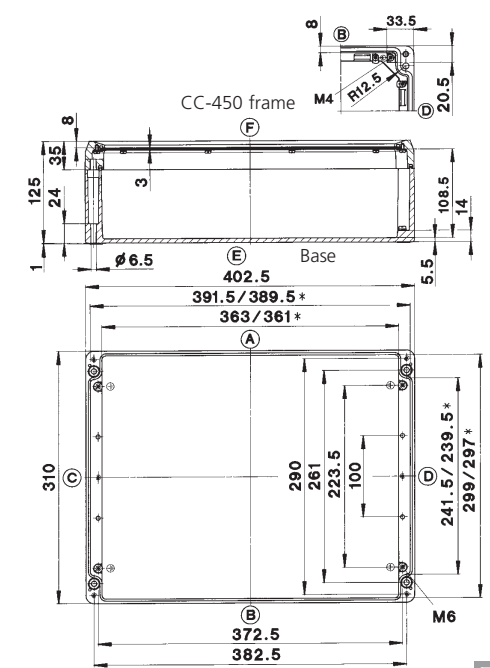
CC-400
4900
400 x 230 x 125
<b>Part number</b>
<b>140.3.0010.00 ●</b>
951.1.7640.00 ●
951.1.2940.00 ●
982.1.0140.00 ●
982.2.0170.00 ●
980.1.0990.00 ●
980.1.0390.00 ●
923.1.0060.00 ●
923.1.0060.00 ●
-
-
981.4.0930.00 ●
981.4.0920.00 ●
101.6.6300.00 ●
101.6.6310.00 ●

A x B: 365.5 x 195.5 mm  
C x D: 355 x 185 mm

● = kept in stock

### 402 x 310 x 125 mm

CC-450 aluminium control enclosure



\* minimum dimensions at level of mounting plate support

CC-450
5600
402 x 310 x 125
<b>Part number</b>
<b>145.3.0010.00 ●</b>
951.1.7650.00 ●
951.1.0200.00 ●
982.1.0140.00 ●
982.2.0170.00 ●
980.1.0990.00 ●
980.1.0390.00 ●
923.1.0060.00 ●
923.1.0060.00 ●
-
-
981.4.0930.00 ●
981.4.0930.00 ●
101.6.6300.00 ●
101.6.6310.00 ●

A x B: 365.7 x 273.2 mm  
C x D: 354.5 x 262 mm

● = kept in stock

