

Control housing CC-4000



The operator control panel is often the visual focus point of a machine. The new CC-4000 control housing from BERNSTEIN has a dynamic modern industrial design. Not only does this enhance the appearance of your system, machine, controller or operator panel, but provides functional advantages that both you and your customers will value.

What's in it for you?

- An ultra-modern design, combined with impressive functionality
- High quality aluminium casting with smooth surface finish
- Design enhancing coloured profiles, optionally available in your company livery
- Integrated handgrips – for easy handling, also enhance enclosure styling

IP 65 protection – for peace of mind

- IP 65 ingress protection is provided as standard.

You want it deeper, higher & wider? No problem!

Thanks to a flexible modular design, the housing depth can be matched to suit your controller. Aluminium frame profiles: 52, 80, 140, 200 & 290 mm deep, can be linked with extension profiles of 68, 128 & 228 to attain depths from 52 mm to 646 mm. The required width and height is precisely obtained by trimming sections to size.

You specify the access

- Flush fitting hinged rear door
- Extension section as rear door
- Frame section as front door
- Demountable front or rear door when optional two part external hinge used – allows replacement of complete control module when servicing required

You manage heat dissipation, with three profile versions

- Housing with smooth external surface
- Housing with external aluminium fins, for increased heat dissipation
- Housing with external aluminium fins and internal fans for maximum heat dissipation



Front opening of the CC-4000 housing using hinged frame section



Rear access to the CC-4000 with flush-fitting hinged door



Hinged and demountable front frame (also available for rear profile)



Ergonomically designed handles are integral to the front frame



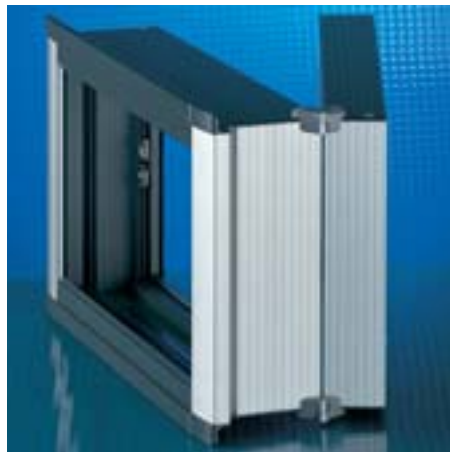
Different RAL colour can be applied to match your company livery



Externally finned aluminium extrusion provides excellent heat dissipation



Smooth finish aluminium profile



Combination of different frame and extension profile widths allow many enclosure depths to be realised

Dimensions

Using a combination of extension widths the CC-4000 depth may be selected in the range 52–646 mm (see drawings below).

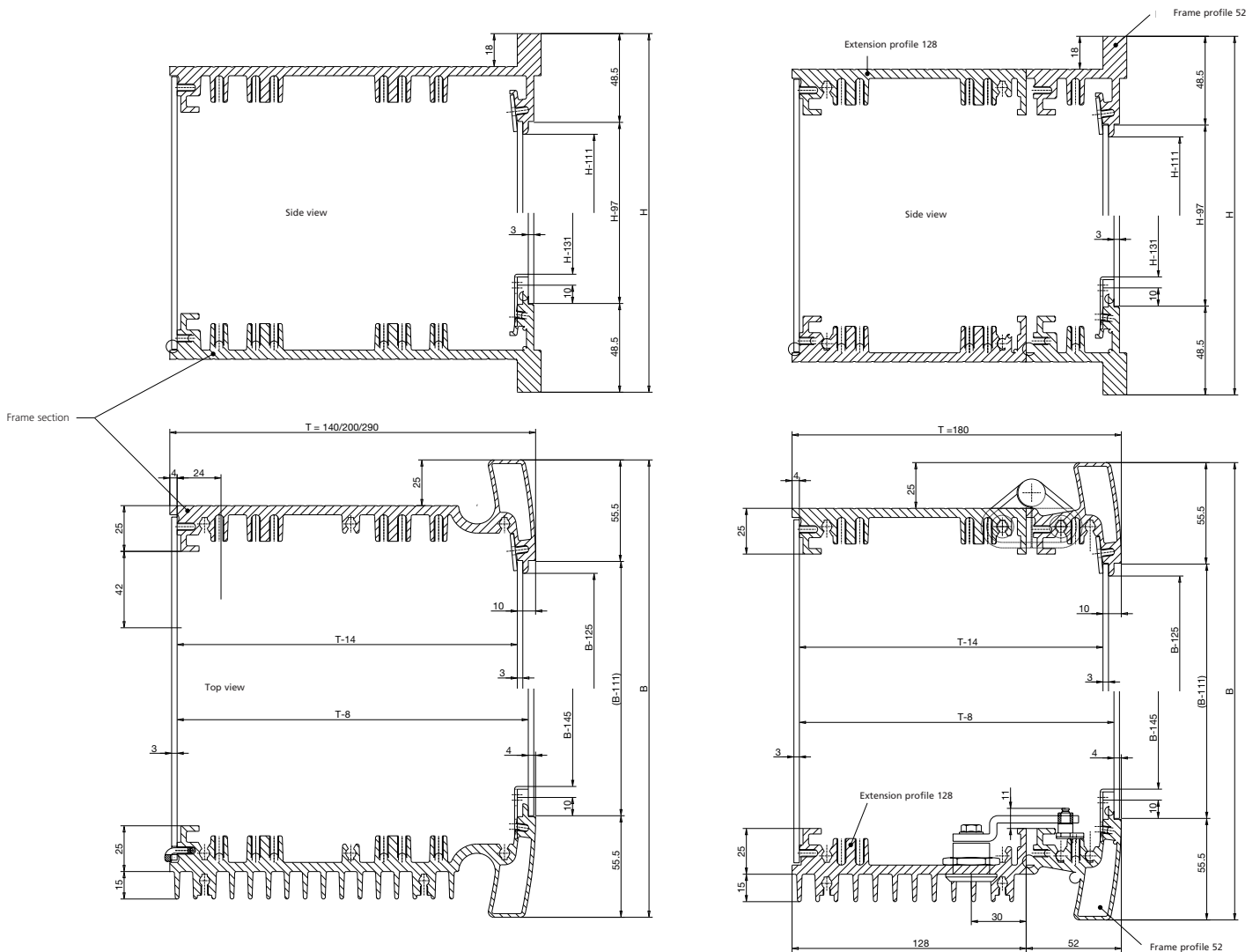
Height and width up to 800 x 800 mm may be freely chosen. Sizes outside of this range can be confirmed upon request.

If the front plate is installed in front then – for the profiles 52, 140, 200 and 290 the lay-on surface is 3.0 mm low

– for the profiles 52 and 80 the lay-on surface is 6.5 mm low

Frame profile
52 mm
80 mm
140 mm
200 mm
290 mm

Extension profile
68 mm
128 mm
228 mm



Standard sizes

Part number	External dimensions enclosure W x H x D (mm)	19" component dimensions	Profile size frame/extension (mm)	Front plate dimensions (mm)	External mounted front plate mounting area dimensions (mm)	Front plate part number: cut to size, unmachined	Available mounting depth with 3 mm front plate min/max (mm)	Rear door configuration: s = hinged; f = fixed; suspension system machining
114.4.0000.11	596 x 364 x 140	84 TE x 6 HE	140/-	485 x 267	451 x 233	954.5.9820.00	132	s; 50/60 above
124.4.0000.11	596 x 364 x 200	84 TE x 6 HE	200/-	485 x 267	451 x 233	954.5.9820.00	192	s; 50/60 above
134.4.0000.11	596 x 364 x 290	84 TE x 6 HE	290/-	485 x 267	451 x 233	954.5.9820.00	282	s; 80 above
156.4.0000.11	596 x 364 x 180	84 TE x 6 HE	52/128	485 x 267	451 x 233	954.5.9820.00	172	f; 50/60 above
114.4.0000.14	596 x 453 x 140	84 TE x 8 HE	140/-	485 x 356	451 x 322	954.5.9830.00	132	s; 50/60 above
114.4.0000.17	596 x 542 x 140	84 TE x 10 HE	140/-	485 x 445	451 x 411	954.5.9840.00	132	s; 50/60 above

Includes as standard

- Enclosures assembled and painted
 - horizontal profiles in RAL 7043 traffic grey B.
 - vertical profiles clear anodised
 - all profiles smooth without cooling fins
 - hinged rear door (hinge left)
 - with hinged front frame (hinge left)
 - fixed rear wall
- 19" mounting set (Part number 980.6.2320.00)
 - screws and captive nuts M6
- 8 mm square lock on all hinged doors
- Suspension system machining for BERNSTEIN CS-2000 (50, 60 or 80)

Accessories

- Front plate, internal mounting
- Front plate mounting set (Part number 980.6.2330.00)
- Other accessories upon request

Note: Shorter lead times for standard sizes!

Application samples:



Combination of front profile 200 and back door 68.

Directly mounted Industrial-PC with operator panel and keyboard drawer.



Front profile 80 with hinged back plate.

Directly mounted Industrial-PC with operator panel.

Accessories enclosure

CC-4000



Keyboard drawer
Part number 928.6.0500.00
Dimensions (W x H x D):
500 x 77 x 170 mm
Front plate: clear anodised
Handle bar: black



Keyboard drawer with keyboard
Part number 928.6.0610.00
Dimensions (WxHxD): 483x88x218 mm
Layout: IBM-AT (MF2) german with trackball
Ingress protection: IP 65 if closed
Front plate: 5 mm



Fan 24 V DC
Part number 942.1.2240.00
Flow rate 30 m³/h



Locking belt without lock
Part number 942.1.6420.00



Locking belt with E1-lock
Part number 942.1.6430.00



Integrated-push socket
Part number 942.1.2180.00

Accessories enclosure CC-4000



CD-ROM-Cover
Part number 980.6.2170.00
Dimensions (W x H x D):
177 x 119 x 8 mm
Surface: possible to paint



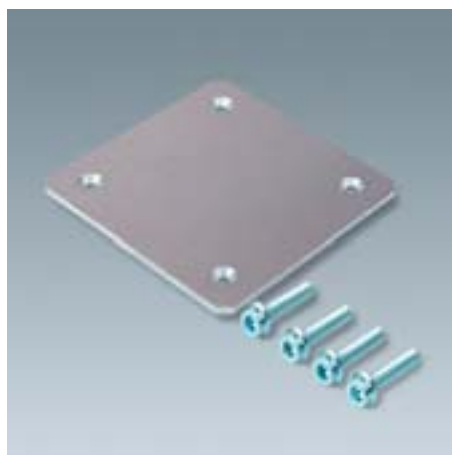
Floppy-Cover
Part number 980.6.2190.00
Dimensions (WxHxD): 120 x 92 x 8 mm
Surface: possible to paint



Door angle limitation
Part number 980.6.2540.00



Cover for adapter flange
Part number 951.1.7710.00
Suspension system CS-2000-80
Surface: possible to paint



Cover for coupling
Part number 951.7.7810.00
Suspension system CS-2000-80
Surface: possible to paint



Ground strap 200 mm
Part number 941.1.0480.00
Ribbon cable, copper

Pedestal/Desk version CC-4000

In addition to mounting the CC-4000 on the CS-2000 and CS-2000 SL suspension systems BERNSTEIN also offers the options of a simple free-standing pedestal and standing or hanging desk models.

With newly developed components this option offers a stylish and space saving workplace for industrial PC users. All models feature enclosure and keyboard tilt capabilities to facilitate an optimum user interface regardless of the individual's height or lighting conditions.



Cables may be run up the pedestal via a rear integrated cable channel which is hidden through a rubber seal. In the pedestals with integrated mounting drum cables with plugs can be through fed for direct connection to controllers or the keyboard.

All pedestal or desk models are available immediately ex-stock. Using the check list a fully configured CC-4000 complete with suspension system can be quickly configured. Accessories include roller sets which may be mounted without machining directly to the pedestal base. Height adjustable feet are also available.

Delivery includes

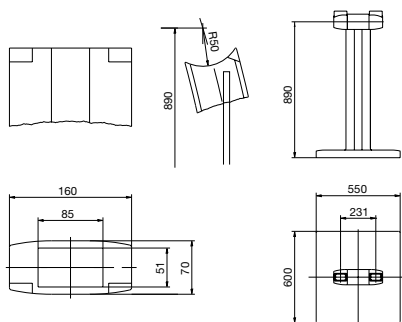
- Basic pedestal, desk pedestal, hanging desk, mounting feet and rollers are supplied with fixings and instructions
- Ex-stock availability
- Painted RAL 7035 finish
- Special colours upon request





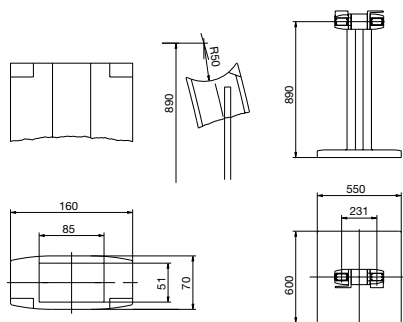
Basic pedestal
Part number 101.6.7860.00

Free standing pedestal with integrated attachment for adjustable 0° to 30° mounting of CC-4000 and CC-2000 SL control enclosures. Colour RAL 7035. Complete with fixings and instructions. Mechanical preparation of enclosure necessary.



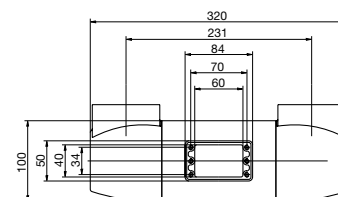
Desk pedestal
Part number 101.6.7870.00

Free standing pedestal with integrated desk attachment for adjustable 0° to 30° mounting of CC-4000 and CC-2000 SL control enclosures and keyboard housings (0° to 20°). Colour RAL 7035. Complete with fixings and instructions. Mechanical preparation of enclosure and keyboard housing necessary.



Hanging desk attachment
Part number 980.8.0131.00

Hanging desk attachment for all CC-4000 desk control enclosures attached to the CC-2000 suspension system. Keyboard housing may be tilted 0° to 30°. Colour RAL 7035. Complete with fixings and instructions.



Rollers
Part number 980.8.0128.00

Rollers include 4 directional wheels for desk or pedestal models. Complete with fixings and instructions



Adjustable feet
Part number 980.8.0129.00

Height adjustable feet (1 Set = 4 pieces) for desk or pedestal use. Complete with fixings and instructions

Check list

Price enquiry, Order form

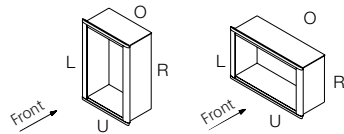
Control enclosure CC-4000

Grey boxes with thick frame refer to standard design.

Customer	Code	Part.-No.
Address		Cust.-No.
Telephone	Telefax	Branch
Contact	Department	
<input type="checkbox"/> Price enquiry	Date	Qty.
<input type="checkbox"/> Enquiry	Enquiry No.	Annual need
<input type="checkbox"/> Order	Delivery date	Qty.

1 Enclosure orientation

- Standard
- Desk version, control enclosure
- Desk version, keyboard housing



- O = Profile top
- U = Profile bottom
- L = Profile left
- R = Profile right

Weight of mounted components

 kg

2 Dimensions (mm)

Enclosure dimensions overall: x

Width x Height (B x H)

19"-Enclosure B x H x

$H = (n \times HE) + 97 - 1 \text{ HE} = 44.45$ HE =

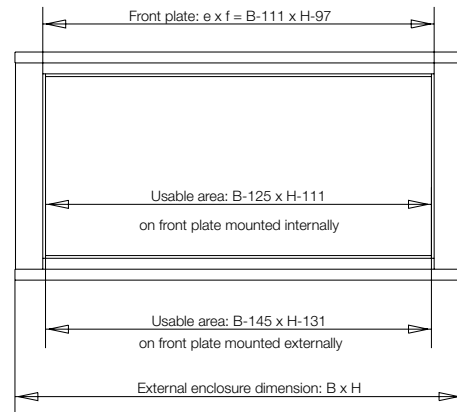
Front plate dimensions: x

$e \times f = B-111 \times H-97$

Back plate dimensions: x

$b \times h = B-61 \times H-47$

$b \times h = B-63 \times H-47$ (hinged back plate)



3 Profile

- Profile without fins
- Profile with fins

4 Enclosure depth external

Front profile with mounted FP 3.0 mm deep

Extension

* Internal depth by mounted FP 3.0 mm

→ 52 140 200 290

68 128 228 128 68

For mounted FP 6.5 mm internal depth is reduced by 3.5 mm

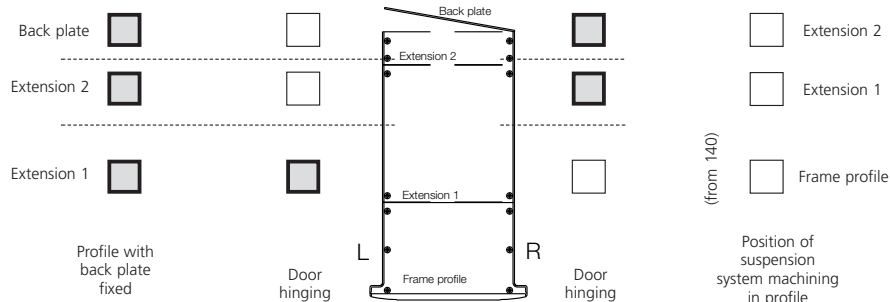
or → 52 80 Front profile with FP 6.5 mm deep

68 128 228 128 68

	52	80	120	140	148	180	188	200	208	216	248	268	276	280	290	308	328	336	348	358	368	376	396	408	418	426	428	436	456	486	496	518	A				
Profile	38	66	106	126	134	166	174	186	194	202	234	254	262	266	276	294	314	322	334	344	354	362	382	394	404	412	414	422	442	472	482	504	I*				
52	●																																				
80		●																																			
140				●																																	
200								●																													
290															●																						
68			●						●	●	●	●	●	●																							
68																																					
128																																					
128																																					
228																																					

A = External depth, I = Internal depth. With front plate mounted from the inside. Assembly from the outside – internal depth increases about 6 mm. ■◆ = alternatively combination

5 Door hinging (suspension system position)



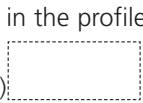
6 Separating piece not mounted Standard Operating plate anodised (not mounted), s = 3 mm
 vertical Qty. mounted right Dimension: g x h
 mounted left (g = width, h = height)
 horizontal Qty. mounted at bottom Operating plate 1 x
 mounted at top Operating plate 2 x

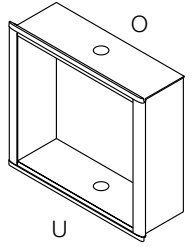
Attention! Separating piece height for frame profile with mounted front plate 3.0 mm = 20 mm/front plate 6.5 mm = 25 mm

7 Front plate none with 3 mm, from inside 3 mm, from outside
Back plate none with 3 mm, fixed from outside 3 mm, hinged

Accessories (Front plate) For plates mounted internal: gasket and fixing material
 For plates mounted external: gasket/washers/nuts M5
 19"-fixing set (980.6.1120.00): Screws and nuts M6

8 Lock Square (mm): 6 7 8 Standard Toggle without lock
Triangular (mm): 7 8 Toggle with lock
Double beard (mm): 3 5 Toggle with lock E1
Daimler Chrysler: Special lock/customer specific

9 Machining for suspension system No O U
Coupling Swivel tilt coupling (from profile 128)
 Flange (indicate profile size)
 Angle adapter (from profile 200)
 Special machining customer specific
System SL (only profile 80)
 50 (from profile 128)
 60 (from profile 128)
 80 (from profile 128)
 80/140 (from profile 290/228)
in the profile: 



10 Paints **Standard** **Customised design**
Profile horizontal: RAL 7043, painted
Profile vertical: anodised, natural colour
Separator piece: RAL 7043, painted
Front plates: anodised, natural colour
Back plates: anodised, natural colour

11 EMV (electro magnetic compatibility) version (Protection degree IP 54)
 Conducting connections between enclosure main body, enclosure door, front plate and back plate

12 Accessories, notes Included in delivery: key an earth-set

<input type="checkbox"/> Encl.	Sales	Techn. dept.	Planning dept.	Enquiry
<input type="checkbox"/> No encl.				Order

