

Front-door control enclosures CC-480 NR



The standard line of stainless steel CC-480 NR front-door control enclosures is ideal for use in hygiene environments in the food and pharmaceutical industry.

Customised apertures in the front door can be provided by the BERNSTEIN customising service. The aperture in the front door can thus be dimensioned exactly to suit the installation of operating and control units.

Integral foam gaskets guarantee protection to IP 66. The CC-480 NR comes conveniently pre-configured as standard for the user to attach to the suspension system.

Product features

- Various standard sizes
- Modern design
- Front door hinged on right as standard - at top where pre-configured for suspension system attachment
- Foamed gaskets
- Facilities for installing mounting plates
- IP 66 protection rating
- Stainless steel lock mounted at side, away from protected space

Materials

- Enclosure 1.5 mm sheet steel stainless steel B.S.I. 304 S15 / AISI 304
- Front door 1.5 mm sheet steel stainless steel B.S.I. 304 S15 / AISI 304
- Gaskets PU foam
- Lock 1.5 mm sheet steel stainless steel B.S.I. 304 S15 / AISI 304

Surfaces

Enclosure	240 grain brushed finish
Front door	240 grain brushed finish

CC-480 NR front-door control enclosures are supplied in the form of standard enclosures or with customised front door. Enclosure is pre-configured as standard for attachment to BERNSTEIN suspension systems. Delivery time as agreed.

Special sizes on request

Components supplied

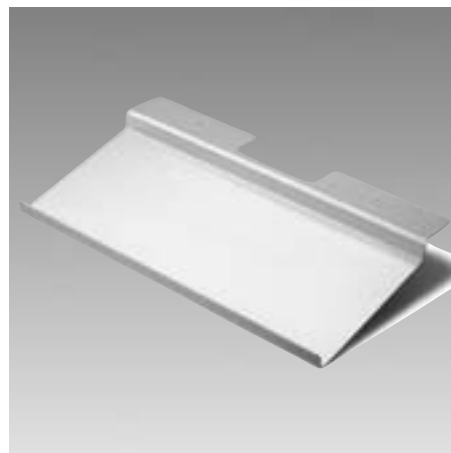
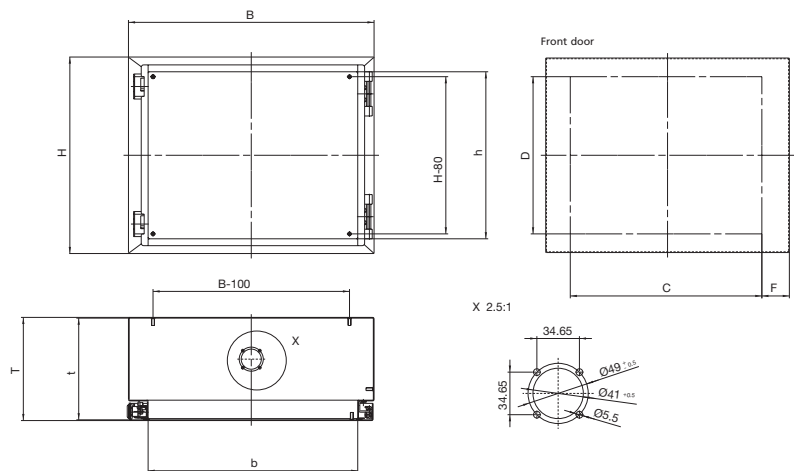
- Cabinet body with hinged front door
- 5 mm two-way key safety lock as standard

Dimensions

Part number	External enclosure dimensions W x H x D (mm)	Internal enclosure dimensions w x h x d (mm)	Mounting area on front door C x D x F (mm)	Side handles Part number	Mounting plates Part number
180.3.0000.01	250x300x130	176.75x240x124.5	140x220x56	980.8.0119.00	982.3.1040.00
180.3.0000.02	350x300x130	276.75x240x124.5	240x220x56	980.8.0119.00	982.3.1050.00
180.3.0000.03	400x350x160	326.75x290x154.5	290x270x56	980.8.0119.00	982.3.1060.00
180.3.0000.04	400x400x160	326.75x340x154.5	290x320x56	980.8.0119.00	982.3.1070.00
180.3.0000.05	500x400x210	426.75x340x204.5	390x320x56	980.8.0120.00	982.3.1080.00
180.3.0000.06	550x450x210	476.75x390x204.5	440x370x56	980.8.0120.00	982.3.1090.00
180.3.0000.07	550x500x210	476.75x440x204.5	440x420x56	980.8.0120.00	982.3.1100.00
180.3.0000.08	550x600x210	476.75x540x204.5	440x520x56	980.8.0120.00	982.3.1110.00

Pre-configuration for suspension system

The CC-480 NR front-door control enclosure comes pre-configured as standard for attachment to the suspension system. The holes provided for the suspension system are shown in the diagram on the right. This level of pre-configuration is designed to ensure maximum user-friendliness, making the enclosure simple to attach to the suspension system by one person only.



Keyboard shelf

(Part number 980.6.1760.00)
from 500 mm enclosure width; in stainless steel. For retrofitting, sloping at an angle of 10°. Fixing material included. Enclosure machining required.



Handles

in stainless steel for retrofitting to enclosure sides. Fixing material included. Enclosure machining required.