

# Interlocking safety switches

## SKT

Protection class IP 65



The SKT is the smallest safety switch with a separate actuator offering the same features, relating to safety, as all other products in this range. The SKT is perfect for applications that require a particularly slim and compact switching device. The rotating head, two actuator openings and different switching functions are proof of its versatility.

The SKT offers further options enabling it to suit a wide variety of applications.

- Integrated forced ejection function (FE): The actuator is ejected from the switch:
  - preventing unauthorized use of a spare actuator to defeat the safety function
  - ensuring the guard must be closed securely to enable the machine to run
- Integrated actuator holding force (FI50 = 50 N):

Guard doors which may open due to vibration can be held shut by using the SKT with increased actuator holding force up to 50 N, without the need for bulky external latches. In addition several doors mounted in a straight line on one machine are kept closed.

- Universal radius actuator (MRU): In addition to the standard straight-on actuator made from stainless steel (operating radius 150 mm), the universal radius actuator offers an adjustable operating radius to a minimum 50 mm both horizontally and vertically.

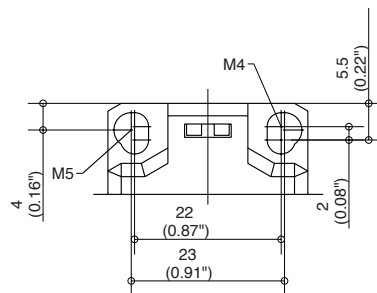
The SKT offers a variety of different switching functions in a highly compact enclosure. All systems are fitted with galvanically isolated contacts, the normally-closed being positive break. Snap-action contacts have been designed for control systems that require a simultaneous signal.

Available are:

- 1 NC  $\leftrightarrow$ /1 NO slow-action device
- 1 NC  $\leftrightarrow$ /1 NO snap-action device
- 2 NC  $\leftrightarrow$  slow-action device
- 2 NC  $\leftrightarrow$  snap-action device

### Mechanical data

- Enclosure and lid made from highly durable fiberglass reinforced thermoplastic (UL 94-VO)
- Operating mechanism: head made from PA, clasp from Zn, rivets from stainless steel
- Actuator made from stainless steel
- Cable entry M 16 x 1.5



### Mounting and installation

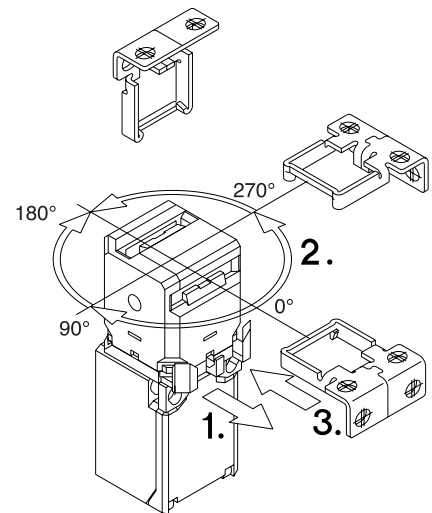
- The safety switch is mounted using 2 x M5 screws in the provided locating and mounting holes (23 mm centres).
- The separate actuator is attached using 2 x M4 screws (20 mm centres).

The safety switch and the actuator should be secured well, in order to prevent unintentional loosening (one-way and break-off screws, rivets etc.)



### Positioning the actuator head

- Rotation in 4 x 90° increments: when mounted, the head is fixed into position by the clasp
- Horizontal or vertical operation



### Warning

- **The safety switch must not be used as a mechanical end stop.**
- To preserve the level of safety, the safety switch must only be used in conjunction with the correct actuator.

### Contact configuration

Switching element	Switch function	Switch contact	Designation	Voltage	Continuous current
Slow-action	changeover	1 NC/1 NO	U1Z	250 V	10 A
Snap-action	changeover	1 NC/1 NO	SU1Z	250 V	10 A
Slow-action	normally-closed	2 NC	A2Z	250 V	10 A
Snap-action	normally-closed	2 NC	SA2Z	250 V	10 A



Designation	SKT-U1Z M3	SKT-SU1Z M3	SKT-A2Z M3	SKT-SA2Z M3
<b>Part number</b>	<b>601.6419.059</b>	<b>601.6409.060</b>	<b>601.6469.066</b>	<b>601.6469.067</b>
Switching diagram				
⊕ positive break according to IEC 947-5-1 Chap. 3				
Za: changeover contact is not galvanically isolated				
Zb: changeover contact is galvanically isolated				
Slow-action contact/snap-action contact				
Gasket inside (iw)/outside (w)				
Contact travel mm (inch) Tol. ± 0.25 mm				
Switch angle degree Tol. ± 3.5°				
Actuating force N Tol. ± 10%				
Actuating torque Ncm Tol. ± 10%				
In Out 1) actuator in 2) actuator out				
Voltage	max. 250 V AC	max. 250 V AC	max. 250 V AC	max. 250 V AC
Continuous current	max. 10 A	max. 10 A	max. 10 A	max. 10 A
Making current, acc. to IEC 947-5-1 AC 15/DC 13	●	●	●	●
Switching frequency	max. 30/min.	max. 30/min.	max. 30/min.	max. 30/min.
Mech. operational life – number of switching cycles	1 x 10 <sup>6</sup>	1 x 10 <sup>6</sup>	1 x 10 <sup>6</sup>	1 x 10 <sup>6</sup>
Ambient temperature	min./max. -30 °C/+80 °C -22 °F/+176 °F	min./max. -30 °C/+80 °C -22 °F/+176 °F	min./max. -30 °C/+80 °C -22 °F/+176 °F	min./max. -30 °C/+80 °C -22 °F/+176 °F
Approvals	BG, UL, CSA	BG, UL, CSA	BG, UL, CSA	BG, UL, CSA
Weight	0.13 kg/0.29 lb	0.13 kg/0.29 lb	0.13 kg/0.29 lb	0.13 kg/0.29 lb
Delivery: ex-stock/built to order	●/-	●/-	●/-	●/-

All dimensions in mm (inch)

