

Safety Rope Pull switches

SR

Plastic housing
Protection class IP 67

EMERGENCY STOP switch gear
acc. IEC 947-5-5

Integrated EMERGENCY STOP
push button

Quick mounting device for
rope installation



Safe:

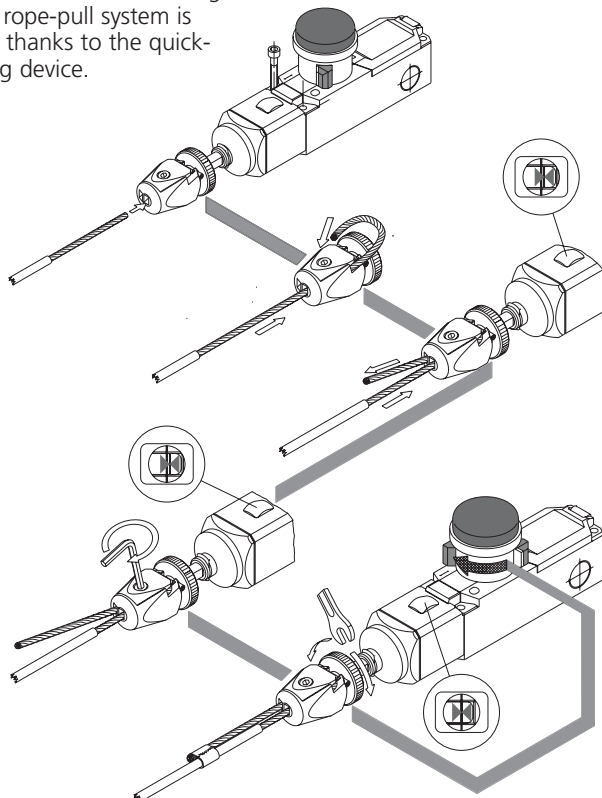
- The EMERGENCY STOP function is enabled by positive-break safety contacts following actuation or failure of the rope-pull system.
- The SR ... NA QF has an integrated EMERGENCY STOP push button, which, due to its design, is particularly well protected against external mechanical influences and blocking.

Flexible:

- 2 NC and 2 NO contacts is the standard contact configuration. According to customer preference, separate specification of the 4 switching elements is possible; thus allowing system integration close to the application.

Fast:

- The fast rope attachment of the SR ... NA QF is shown in the drawing on the left. The rope-pull system is quickly installed thanks to the quick-change clamping device.



- The correct rope tension is clearly and visibly indicated.
- Also clearly recognisable reset function, of the E-STOP device.
- The electrical connection is made via "cage clamp"-connection terminals.

Reliable:

- The glass-fibre reinforced polyamide housing can cope with the roughest operating conditions. The SR is mounted using a mounting plate made of metal.
- Protection class IP 67.

In the future:

- Two integrated diffuse reflective sensors are to be offered, which will signal if the rope tension is exceeded. This facilitates "preventative maintenance".

Designation

Part number

Switching diagram

⊕ Forced disconnect

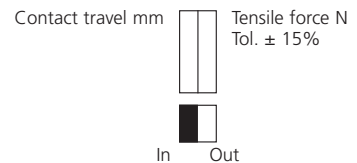
IEC 947-5-1 Chap. 3

Za: changeover contact is not galvanically isolated

Zb: changeover contact is galvanically isolated

Slow-action contact/snap-action contact

Latching mechanism



Voltage max.

Continuous terminal current max.

Utilization category acc. to IEC 947-5-1 AC 15 /DC 13

Switching frequency max.

Mech. operational life acc. to IEC 947-5-5

Ambient temperature min./max.

Approvals

cable conduit

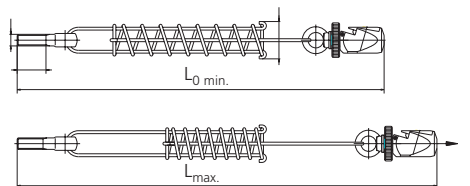
Weight

Delivery: ex stock/built to order

All dimensions in mm

Rope-Pull Return-Spring

with protection against overload

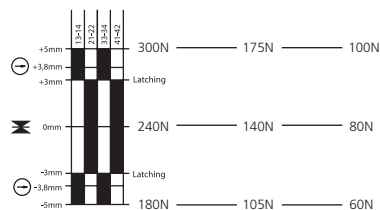
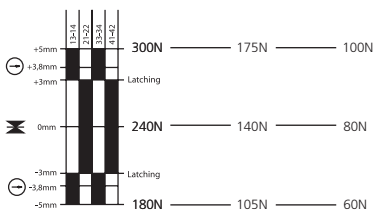
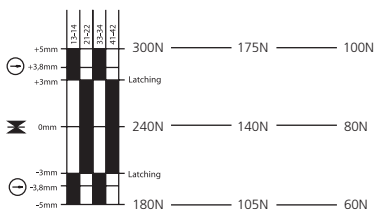


Application:

Spring	SR-Type 100/175	SR-Type 300
Part number	391.1042.153	391.1042.154
L ₀ min.	383	483
L _{max.}	487	653



SR-UZZ-NA-QF 300	SR-UZZ-NA-QF 175	SR-UZZ-NA-QF 100	SR-UZZ-QF 300	SR-UZZ-QF 175	SR-UZZ-QF 100	SR-UZZ 300	SR-UZZ 175	SR-UZZ 100
601.1629.019	601.1629.027	601.1629.031	601.1629.028	601.1629.024	601.1629.032	601.1620.020	601.1621.026	601.1621.030
⊖ Zb	⊖ Zb	⊖ Zb	⊖ Zb	⊖ Zb	⊖ Zb	⊖ Zb	⊖ Zb	⊖ Zb
●/-	●/-	●/-	●/-	●/-	●/-	●/-	●/-	●/-



250 VAC	250 VAC	250 VAC	250 VAC	250 VAC	250 VAC	250 VAC	250 VAC	250 VAC
10 A	10 A	10 A	10 A	10 A	10 A	10 A	10 A	10 A
230 V/4 A	230 V/4 A	230 V/4 A	230 V/4 A	230 V/4 A	230 V/4 A	230 V/4 A	230 V/4 A	230 V/4 A
(AC 15)	(AC 15)	(AC 15)	(AC 15)	(AC 15)	(AC 15)	(AC 15)	(AC 15)	(AC 15)
20/min.	20/min.	20/min.	20/min.	20/min.	20/min.	20/min.	20/min.	20/min.
●	●	●	●	●	●	●	●	●
-25 °C/+70 °C	-25 °C/+70 °C	-25 °C/+70 °C	-25 °C/+70 °C	-25 °C/+70 °C	-25 °C/+70 °C	-25 °C/+70 °C	-25 °C/+70 °C	-25 °C/+70 °C
-13 °F/+158 °F	-13 °F/+158 °F	-13 °F/+158 °F	-13 °F/+158 °F	-13 °F/+158 °F	-13 °F/+158 °F	-13 °F/+158 °F	-13 °F/+158 °F	-13 °F/+158 °F
BG, UL, CSA	BG, UL, CSA	BG, UL, CSA	BG, UL, CSA	BG, UL, CSA	BG, UL, CSA	BG, UL, CSA	BG, UL, CSA	BG, UL, CSA
3x M20 x 1.5	3x M20 x 1.5	3x M20 x 1.5	3x M20 x 1.5	3x M20 x 1.5	3x M20 x 1.5	3x M20 x 1.5	3x M20 x 1.5	3x M20 x 1.5
0.6 kg	0.6 kg	0.6 kg	0.6 kg	0.6 kg	0.6 kg	0.5 kg	0.5 kg	0.5 kg
●/-	●/-	●/-	●/-	●/-	●/-	●/-	●/-	●/-

