

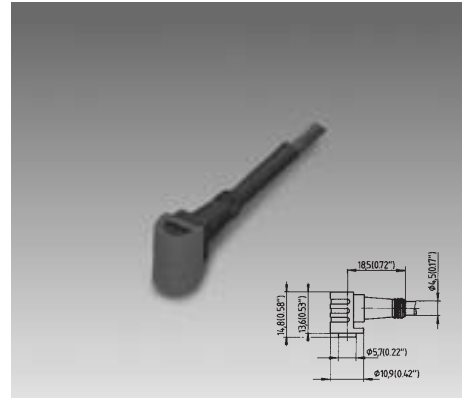
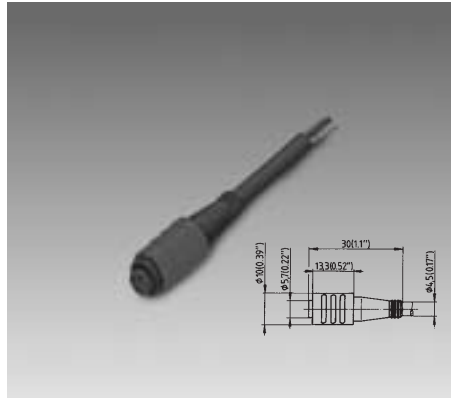
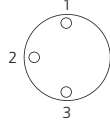
Miniature snap-in plugs Ø 6.5

with moulded cable

All dimensions in mm (inches)

Terminal code

- 1 = brown
- 2 = black
- 3 = blue



		3-wire	3-wire
Cable length	Model description ①	GDK-R06US/S00-2.5PU	② WDK-R06US/S00-2.5PU
2.5 m/8.2 ft	Part number	413.9100.219	413.9100.221
Cable length	Model description ①	GDK-R06US/S00-5PU	② WDK-R06US/S00-5PU
5 m/16.4 ft	Part number	413.9100.220	413.9100.222
Material of cable sleeve		PUR	PUR
Material body/Contact carrier		PUR	PUR
Material of pull protection		POM	POM
Operating voltage	max.	60 V AC/75 V DC	60 V AC/75 V DC
Current carrying capacity	max.	4 A	4 A
Temperature range	min./max.	-40 °C/+80 °C -40 °F/+176 °F	-40 °C/+80 °C -40 °F/+176 °F
Function indication		-	-
Operating voltage indication		-	-
Cable structure	mm ²	3 x 0.25	3 x 0.25
Protection type after installation		IP 67/NEMA 4	IP 67/NEMA 4

Miniature snap-in plugs Ø 6.5

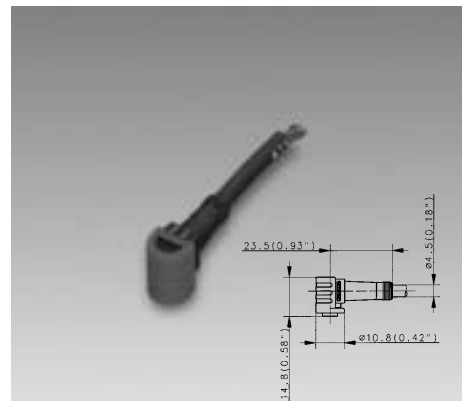
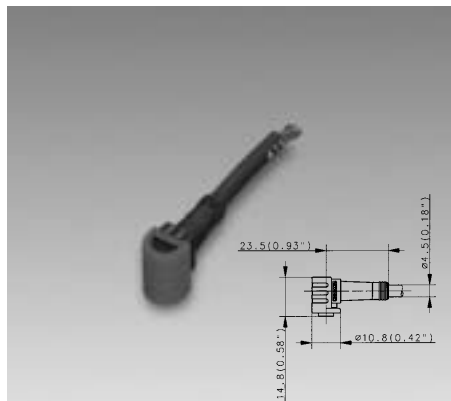
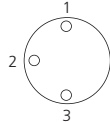
with moulded cable

Double LED

All dimensions in mm (inch)

Terminal code

- 1 = brown
- 2 = black
- 3 = blue



		PNP 3-wire	NPN 3-wire
Cable length	Model description ③	WDK-R06PS/SL2-2.5PU	④ WDK-R06NS/SL2-2.5PU
2.5 m/8.2 ft	Part number	413.9100.223	413.9100.225
Cable length	Model description ③	WDK-R06PS/SL2-5PU	④ WDK-R06NS/SL2-5PU
5 m/16.4 ft	Part number	413.9100.224	413.9100.226
Material of cable sleeve		PUR	PUR
Material body/Contact carrier		PUR	PUR
Material of pull protection		POM	POM
Operating voltage	max.	36 V DC	36 V DC
Current carrying capacity	max.	4 A	4 A
Temperature range	min./max.	-40 °C/+80 °C -40 °F/+176 °F	-40 °C/+80 °C -40 °F/+176 °F
Function indication		●	●
Operating voltage indication		●	●
Cable structure	mm ²	3 x 0.25	3 x 0.25
Protection type after installation		IP 67/NEMA 4	IP 67/NEMA 4

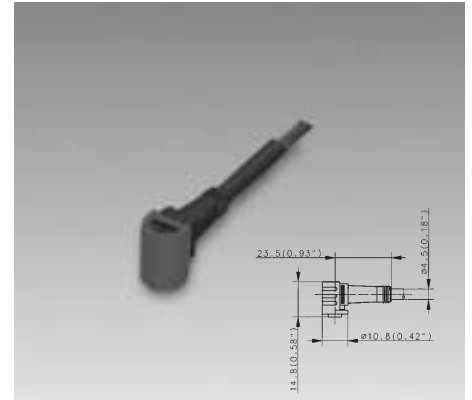
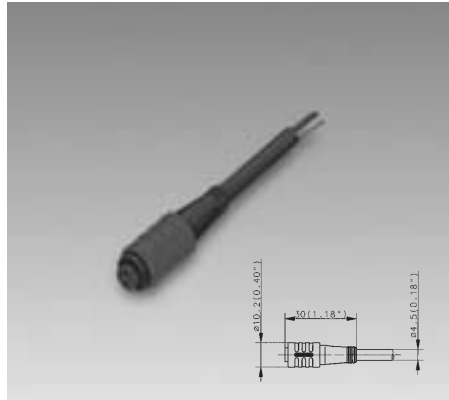
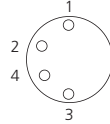
Miniature snap-in plugs Ø 6.5

with moulded cable

All dimensions in mm (inch)

Terminal code

- 1 = brown
- 2 = white
- 3 = blue
- 4 = black



		4-wire	4-wire
Cable length	Model description	③ GDK-R06UA/S00-2.5PU	④ WDK-R06UA/S00-2.5PU
2.5 m/8.2 ft	Part number	413.9100.228	413.9100.230
Cable length	Model description	③ GDK-R06UA/S00-5PU	④ WDK-R06UA/S00-5PU
5 m/16.4 ft	Part number	413.9100.229	413.9100.231
Material of cable sleeve		PUR	PUR
Material body/Contact carrier		PUR	PUR
Material of pull protection		POM	POM
Operating voltage	max.	60 V AC/75 V DC	60 V AC/75 V DC
Current carrying capacity	max.	2 A	2 A
Temperature range	min./max.	-25 °C/+90 °C -13 °F/+194 °F	-25 °C/+90 °C -13 °F/+194 °F
Function indication		-	-
Operating voltage indication		-	-
Cable structure	mm ²	4 x 0.14	4 x 0.14
Protection type after installation		IP 67/NEMA 4	IP 67/NEMA 4

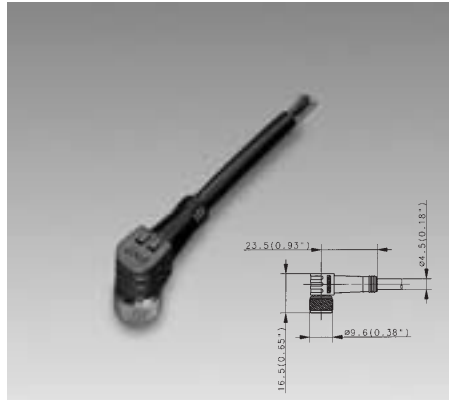
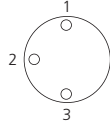
Plug M 8 x 1 with lock nut

with moulded cable

All dimensions in mm (inches)

Terminal code

- 1 = brown
- 2 = black
- 3 = blue



3-wire

Cable length 2.5 m/8.2 ft	Model description ②	WDK-M08US/S00-2.5
	Part number	413.9100.278
Cable length 5 m/16.4 ft	Model description ②	WDK-M08US/S00-5
	Part number	413.9100.279
Material of cable sleeve		PVC
Material body/Contact carrier		PVC
Material of pull protection		CuZn39Pb3
Operating voltage	max.	60 V AC/75 V DC
Current carrying capacity	max.	4 A
Temperature range	min./max.	-40 °C/+80 °C -40 °F/+176 °F
Function indication		-
Operating voltage indication		-
Cable structure	mm ²	3 x 0.25
Protection type after installation		IP 67/NEMA 4

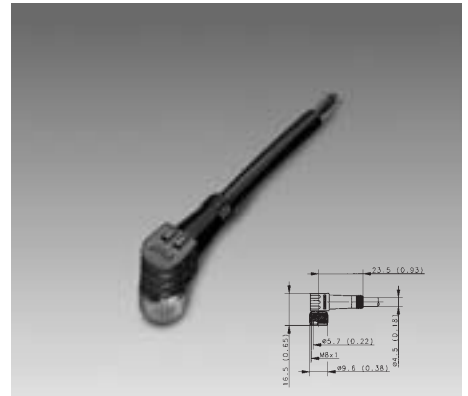
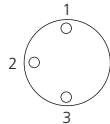
Plug M 8 x 1 with lock nut

with moulded cable

All dimensions in mm (inches)

Terminal code

- 1 = brown
- 2 = black
- 3 = blue



3-wire

Cable length 2.5 m/8.2 ft	Model description ①	GDK-M08US/S00-2.5PU	②	WDK-M08US/S00-2.5PU
	Part number	413.9100.261		413.9100.264
Cable length 5 m/16.4 ft	Model description ①	GDK-M08US/S00-5PU	②	WDK-M08US/S00-5PU
	Part number	413.9100.263		413.9100.265
Material of cable sleeve		PUR		PUR
Material body/Contact carrier		PUR		PUR
Material of pull protection		CuZn39Pb3		CuZn39Pb3
Operating voltage	max.	60 V AC/75 V DC		60 V AC/75 V DC
Current carrying capacity	max.	4 A		4 A
Temperature range	min./max.	-40 °C/+80 °C -40 °F/+176 °F		-40 °C/+80 °C -40 °F/+176 °F
Function indication		-		-
Operating voltage indication		-		-
Cable structure	mm ²	3 x 0.25		3 x 0.25
Protection type after installation		IP 67/NEMA 4		IP 67/NEMA 4

Plug M 8 x 1 with lock nut

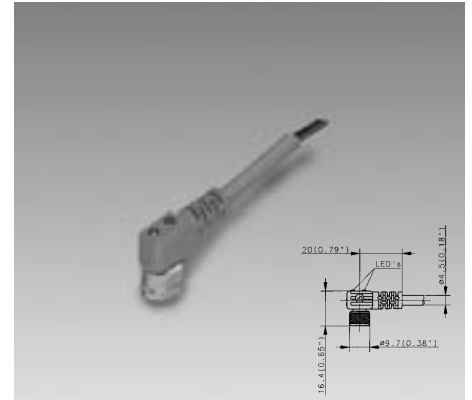
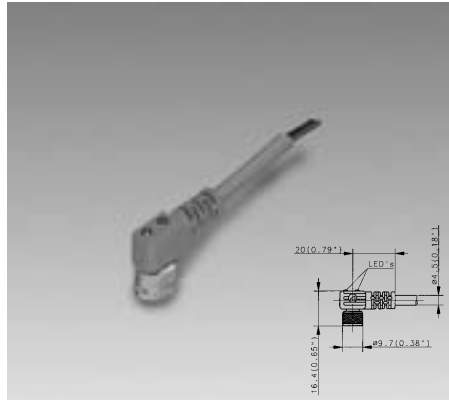
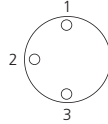
with moulded cable

Double LED

All dimensions in mm (inches)

Terminal code

- 1 = brown
- 2 = black
- 3 = blue



PNP 3-wire

NPN 3-wire

Cable length	Model description	③ WDK-M08PS/LL2-2	④ WDK-M08NS/LL2-2
2 m/6.56 ft	Part number	413.9100.213	413.9100.214
Cable length	Model description	③ WDK-M08PS/LL2-5	④ WDK-M08NS/LL2-5
5 m/16.4 ft	Part number	413.9100.216	413.9100.217
Material of cable sleeve		PUR	PUR
Material body/Contact carrier		PUR	PUR
Material of pull protection		CuZn39Pb3	CuZn39Pb3
Operating voltage	max.	30 V DC	30 V DC
Current carrying capacity	max.	2 A	2 A
Temperature range	min./max.	-25 °C/+90 °C -13 °F/+194 °F	-25 °C/+90 °C -13 °F/+194 °F
Function indication		●	●
Operating voltage indication		●	●
Cable structure	mm ²	3 x 0.25	3 x 0.25
Protection type after installation		IP 67/NEMA 4	IP 67/NEMA 4

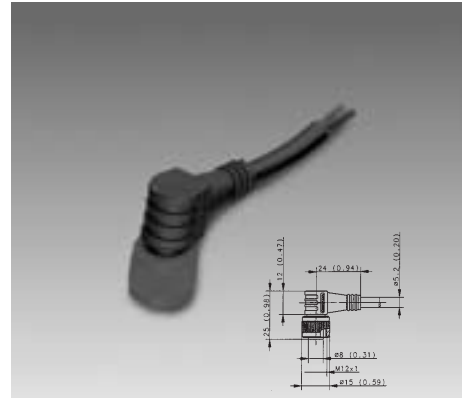
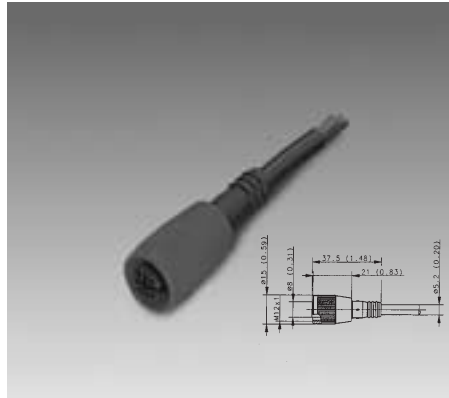
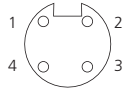
Plug M 12 x 1 with lock nut

with moulded cable

All dimensions in mm (inches)

Terminal code

- 1 = brown
- 2 = -
- 3 = blue
- 4 = black



3-wire

3-wire

Cable length 2 m/6.56 ft	Model description ①	GDK-M12US/S00-2	②	WDK-M12US/S00-2
	Part number	413.9100.232		413.9100.234
Cable length 5 m/16.4 ft	Model description ①	GDK-M12US/S00-5	②	WDK-M12US/S00-5
	Part number	413.9100.233		413.9100.235
Material of cable sleeve		PVC		PVC
Material body/Contact carrier		PUR		PUR
Material of pull protection		PA		PA
Operating voltage	max.	250 V AC/300 V DC		250 V AC/300 V DC
Current carrying capacity	max.	4 A		4 A
Temperature range	min./max.	-40 °C/+80 °C -40 °F/+176 °F		-40 °C/+80 °C -40 °F/+176 °F
Function indication		-		-
Operating voltage indication		-		-
Cable structure	mm ²	3 x 0.34		3 x 0.34
Protection type after installation		IP 67/NEMA 4		IP 67/NEMA 4

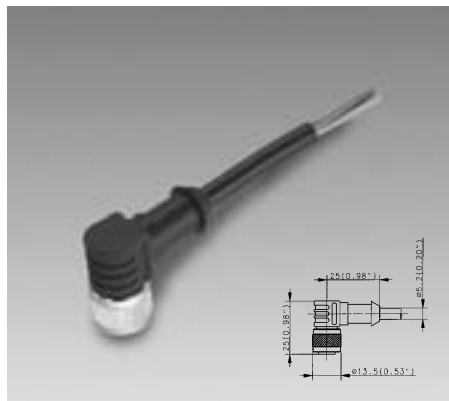
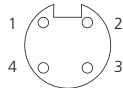
Plug M 12 x 1 with lock nut

with moulded cable

All dimensions in mm (inches)

Terminal code

- 1 = brown
- 2 = -
- 3 = blue
- 4 = black



3-wire

Cable length 2 m/6.56 ft	Model description ③	WDK-M12US/G00-2
	Part number	413.9100.280
Cable length 5 m/16.4 ft	Model description ③	WDK-M12US/G00-5
	Part number	413.9100.281
Material of cable sleeve		PVC
Material body/Contact carrier		PUR
Material of pull protection		CuZn39Pb3
Operating voltage	max.	250 V AC/300 V DC
Current carrying capacity	max.	4 A
Temperature range	min./max.	-40 °C/+80 °C -40 °F/+176 °F
Function indication		-
Operating voltage indication		-
Cable structure	mm ²	3 x 0.34
Protection type after installation		IP 67/NEMA 4

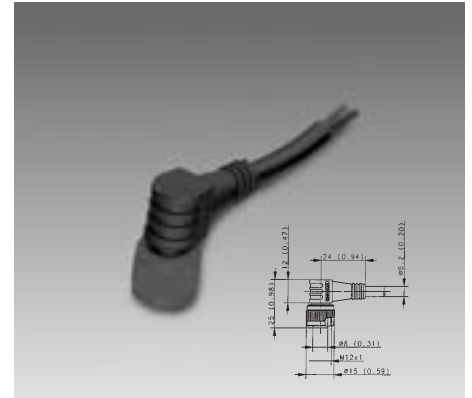
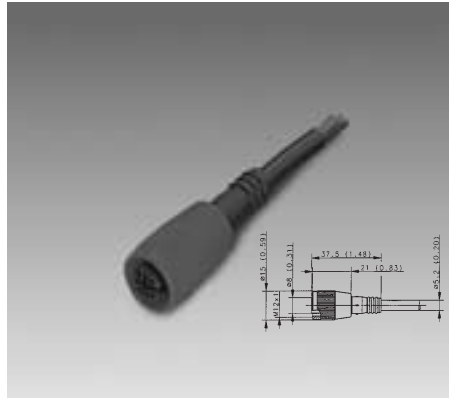
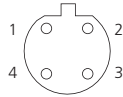
AC plug M 12 x 1 with lock nut

with moulded cable

All dimensions in mm (inches)

Terminal code

- 1 = black
- 2 = blue
- 3 = -
- 4 = -



		2-wire	2-wire
Cable length	Model description ①	GDK-M12AS/S00-2	② WDK-M12AS/S00-2
2 m/6.56 ft	Part number	413.9100.248	413.9100.250
Cable length	Model description ①	GDK-M12AS/S00-5	② WDK-M12AS/S00-5
5 m/16.4 ft	Part number	413.9100.249	413.9100.251
Material of cable sleeve		PVC	PVC
Material body/Contact carrier		PUR	PUR
Material of pull protection		PA	PA
Operating voltage	max.	250 V AC/300 V DC	250 V AC/300 V DC
Current carrying capacity	max.	4 A	4 A
Temperature range	min./max.	-40 °C/+80 °C -40 °F/+176 °F	-40 °C/+80 °C -40 °F/+176 °F
Function indication		-	-
Operating voltage indication		-	-
Cable structure	mm ²	2 x 0.5	2 x 0.5
Protection type after installation		IP 67/NEMA 4	IP 67/NEMA 4

Plug M 12 x 1 with lock nut

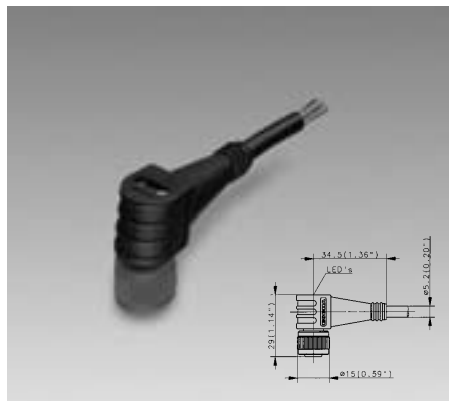
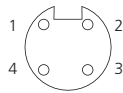
with moulded cable

Double LED

All dimensions in mm (inches)

Terminal code

- 1 = brown
- 2 = -
- 3 = blue
- 4 = black



		PNP 3-wire	NPN 3-wire
Cable length	Model description ③	WDK-M12PS/SL2-2	④ WDK-M12NS/SL2-2
2 m/6.56 ft	Part number	413.9100.240	413.9100.242
Cable length	Model description ③	WDK-M12PS/SL2-5	④ WDK-M12NS/SL2-5
5 m/16.4 ft	Part number	413.9100.241	413.9100.243
Material of cable sleeve		PVC	PVC
Material body/Contact carrier		PUR	PUR
Material of pull protection		PA	PA
Operating voltage	max.	30 V DC	30 V DC
Current carrying capacity	max.	4 A	4 A
Temperature range	min./max.	-40 °C/+80 °C -40 °F/+176 °F	-40 °C/+80 °C -40 °F/+176 °F
Function indication		●	●
Operating voltage indication		●	●
Cable structure	mm ²	3 x 0.34	3 x 0.34
Protection type after installation		IP 67/NEMA 4	IP 67/NEMA 4

Plug M 12 x 1 with lock nut

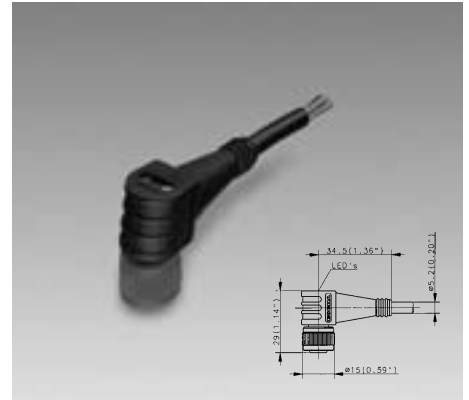
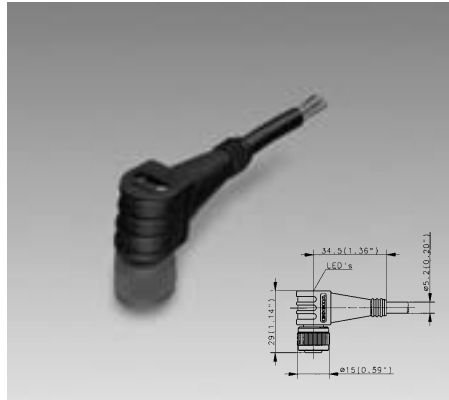
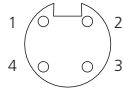
with moulded cable

Double LED

All dimensions in mm (inches)

Terminal code

- 1 = brown
- 2 = white
- 3 = blue
- 4 = black



PNP 4-wire

NPN 4-wire

Cable length	Model description	① WDK-M12PA/SL2-2PU	② WDK-M12NA/SL2-2PU
2 m/6.56 ft	Part number	413.9100.244	413.9100.246
Cable length	Model description	① WDK-M12PA/SL2-5PU	② WDK-M12NA/SL2-5PU
5 m/16.4 ft	Part number	413.9100.245	413.9100.247
Material of cable sleeve	PUR	PUR	PUR
Material body/Contact carrier	PUR	PUR	PUR
Material of pull protection	PA	PA	PA
Operating voltage	max.	30 V DC	30 V DC
Current carrying capacity	max.	4 A	4 A
Temperature range	min./max.	-40 °C/+80 °C -40 °F/+176 °F	-40 °C/+80 °C -40 °F/+176 °F
Function indication		●	●
Operating voltage indication		●	●
Cable structure	mm ²	4 x 0.25	4 x 0.25
Protection type after installation		IP 67/NEMA 4	IP 67/NEMA 4

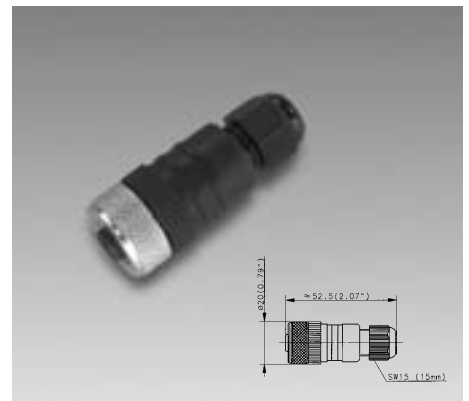
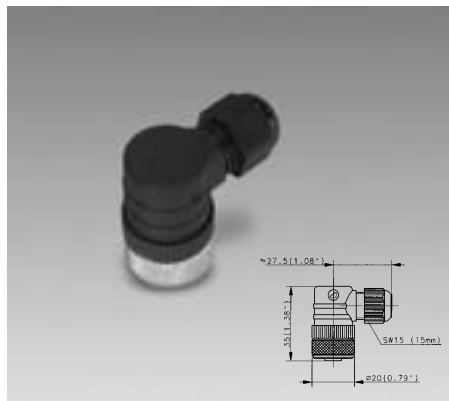
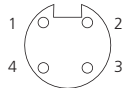
Plug M 12 x 1 with lock nut

provide own cable

All dimensions in mm (inches)

Terminal code

- 1 = Plus
- 2 = NC
- 3 = Minus
- 4 = NO



Female plug	Model description	③ WDA-M12UA/LO	③ GDA-M12UA/LO
	Part number	413.9100.101	413.9100.102
Max. cable diameter	mm	3-6.5	3-6.5
Cross section mm ²	max.	0.75	0.75
Material body/Contact carrier		PA	PA
Material of pull protection		CuZn39Pb3	CuZn39Pb3
Operating voltage	max.	125 V AC/150 V DC	125 V AC/150 V DC
Current carrying capacity	max.	4 A	4 A
Temperature range	min./max.	-25 °C/+90 °C -13 °F/+194 °F	-25 °C/+90 °C -13 °F/+194 °F
Function indication		-	-
Operating voltage indication		-	-
Cable structure	mm ²	-	-
Protection type after installation		IP 67/NEMA 4	IP 67/NEMA 4

Sensor testing unit



Sensor testing unit

Technical data	
Model description	Sensortester
Part number	651.0000.048
Stock status: Ex stock/Built to order	●/-
Function	Sensor testing units for proximity sensors in DC-2-wire and 3-wire technology. Testing function: Indication of switching condition of the sensor via visual and acoustic signal
Supply voltage	9 V monobloc battery (6LR61)
Output voltage	15 V DC, 20 mA stabilised
Housing	Modified housing from the OR20 series
Temperature range	-25 °C/+70 °C
Input signals	NPN/PNP-3-wire, DC-2-wire, NAMUR

The sensor testing unit is suitable for checking proximity sensors in DC 2-wire and 3-wire technology. To indicate the switching conditions, colour LEDs and an acoustic signal are used.

- LED green: Operating voltage indication
- LED red: Weak battery
- LED yellow: Switching condition of sensor

The sensor testing units is provided with an automatic switch-off mechanism, deactivating the device (if not in operation) after approx. 30 s.

Terminal assignment

