

Type matrix of inductive sensors

1.	2.	3.	4.	5.	6.	7.	8.	9.	10.	11.	12.	13.	14.	15.	16.	17.	18.	19.
K	I	N	-	T	1	2	N	S	/	0	0	4	-	K	L	2		
Product group				Housing design			Output		Sensing distance				Options					

1 K = Non-contact proximity switch

2 I = Inductive

3 B = flush installation
N = non-flush installation
R = Ring sensor

4 Always a dash

5 M = metric threaded barrel (metal)
T = metric threaded barrel (plastic)
D = smooth barrel (metal)
R = smooth barrel (plastic)
Q = rectangular housing (metal)
P = PG threaded barrel (metal)
E = rectangular housing (plastic)
S = Slot sensor (plastic)
N = standard fixing (in accordance with DIN 50025/50037)

6/7 two-digit number

- Smooth barrel types = diameter in mm
- Threaded barrel types = standard designation
- Rectangular devices = continuing design numbers

Design Examples:

- S03 = Slot type sensor
- Q08 = 8 x 8 x 49 mm, side sensing
- M32 = M32 x 1.5 mm, threaded barrel
- D08 = 8 mm diameter (metal)
- R22 = 22 mm diameter (plastic)
- E68 = 68 x 30 x 15 mm
- N44 = 41.5 x 41.5 x 120 mm (Euro standard housing)

8 P = PNP
N = NPN
A = AC 2-wire
E = NAMUR
Z = DC 2-wire
Q = AC triac
T = Thyristor (AC 3-wire)
G = Push/pull
D = Dual output NPN/PNP switching device

9 S = Normally open contact
O = Normally closed contact
P = Programmable
A = Analogue
U = Complementary

10 Slash

11/12/13 Sensing distance

Examples: 1.5 = 1.5 mm
002 = 2 mm
040 = 40 mm

14 Always a dash

15 K = Short-circuit protected

16 L = LED

17... Cable length
Examples: 2 = 2 m
6 = 6 m

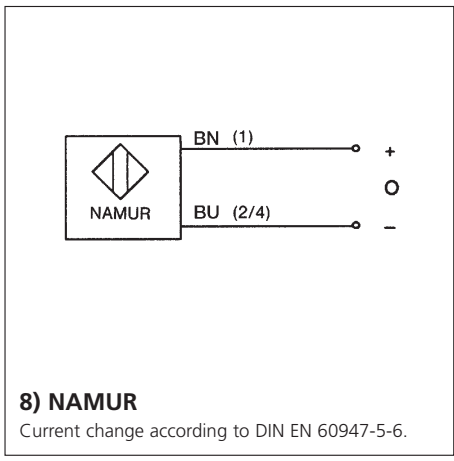
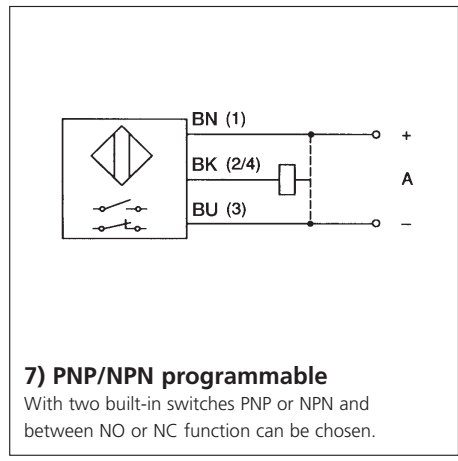
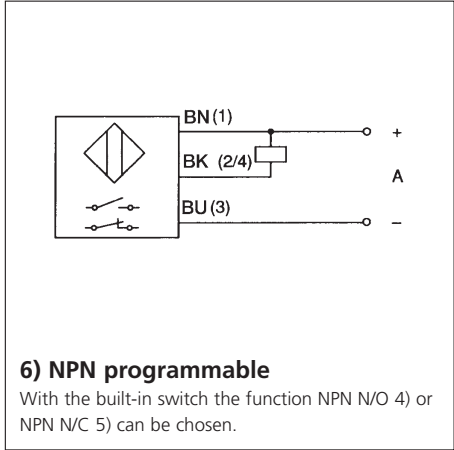
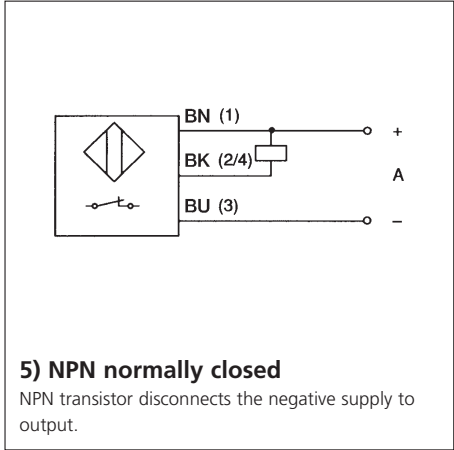
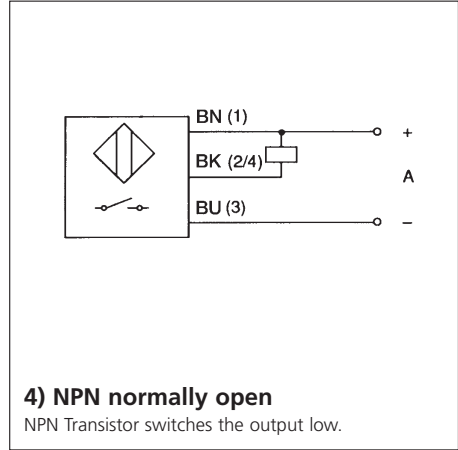
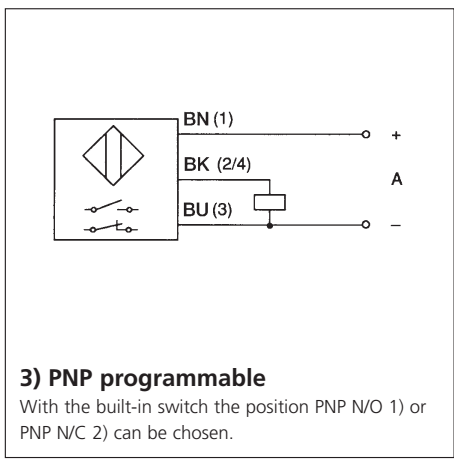
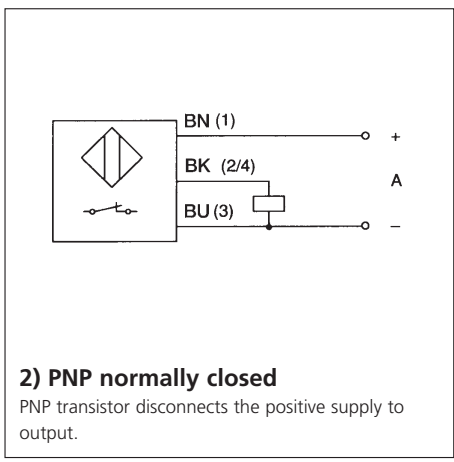
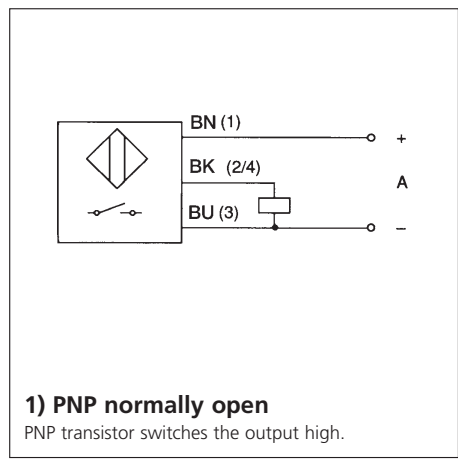
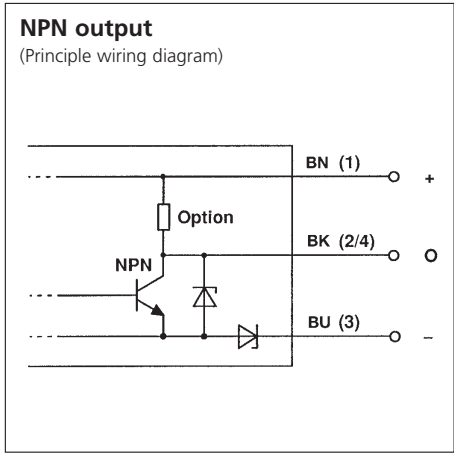
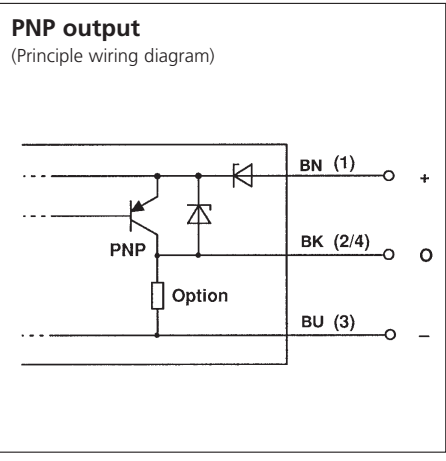
E = Extended sensing distance
V = Short body design
P = Potentiometer
PU = Polyurethane cable
S = Screw termination (terminal compartment)
SD = Plug connection, according to DIN with screw termination
SM = Mini socket snap fit
S8 = M8 quick disconnect screw connector
SM8 = M8 quick disconnect snap or screw connector
S12 = M12 quick disconnect screw type
N = Stainless steel housing
F = High switching frequency
T = High temperature resistance
I = teach in

Wiring diagrams electrical outputs DC

Definition of cable colours

- BN = brown
- BU = blue
- BK = black (Output)

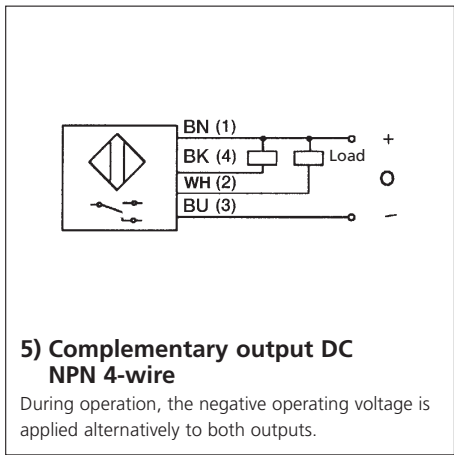
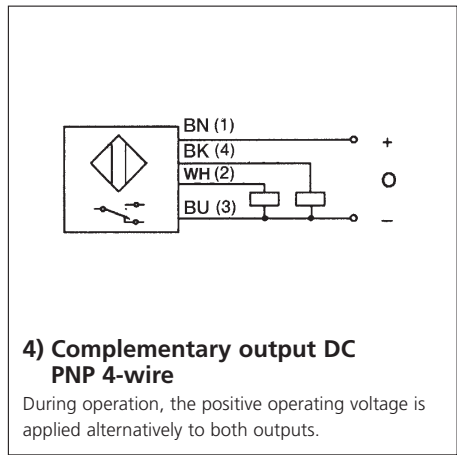
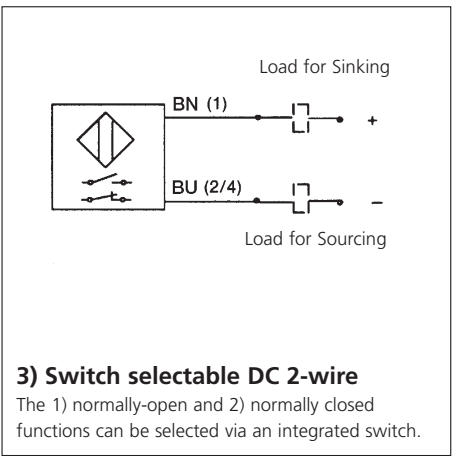
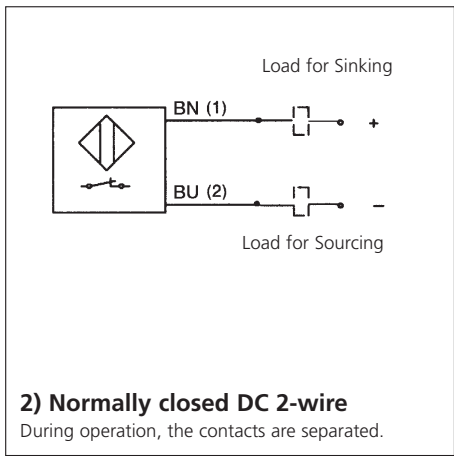
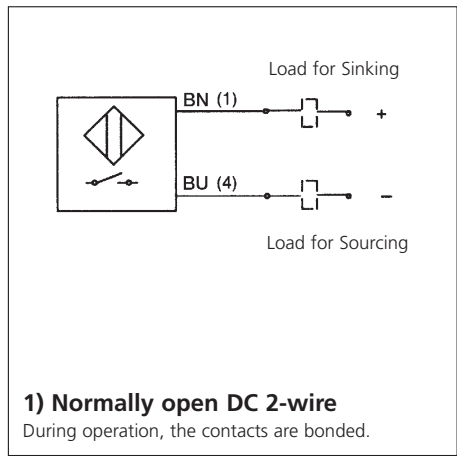
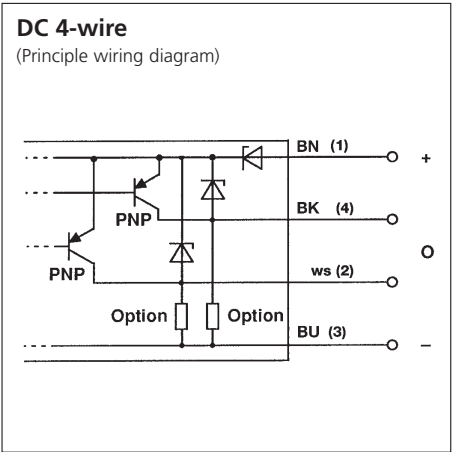
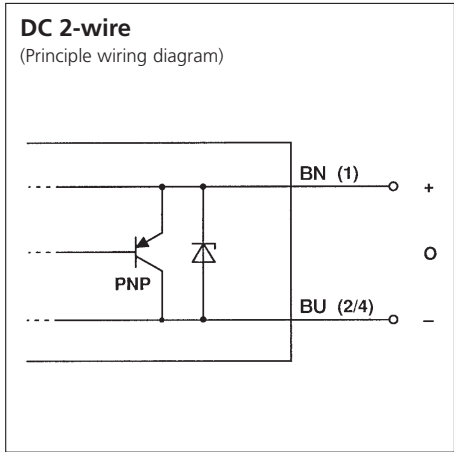
Association of the cable colours to the connection pins of the cable couplings see page 276 ff.
 This association is not valid for all plugs and couplings



Wiring diagrams of DC output types

Key to colour coding of cable

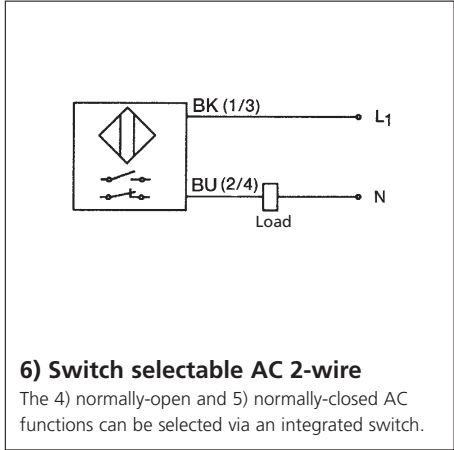
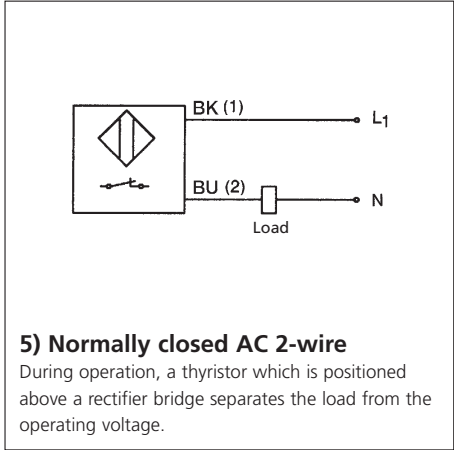
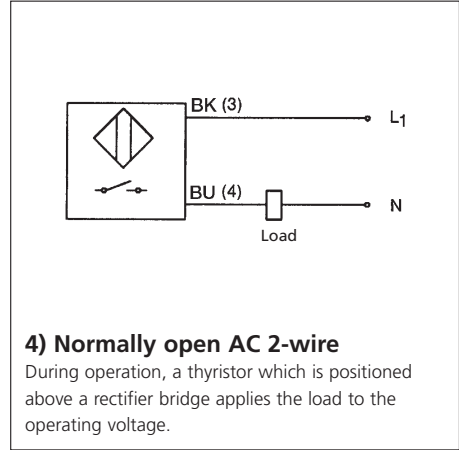
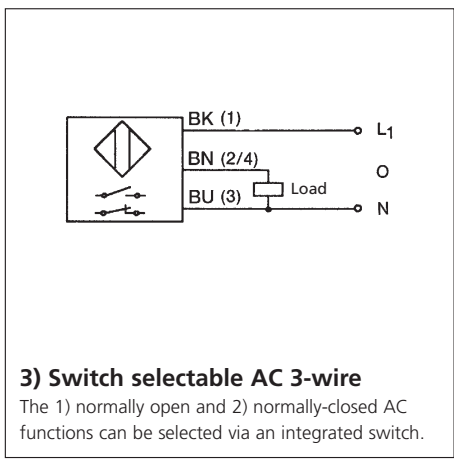
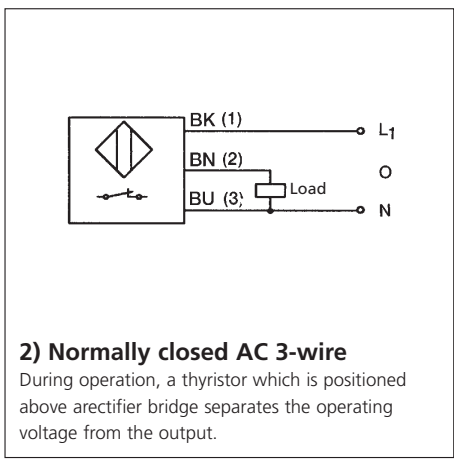
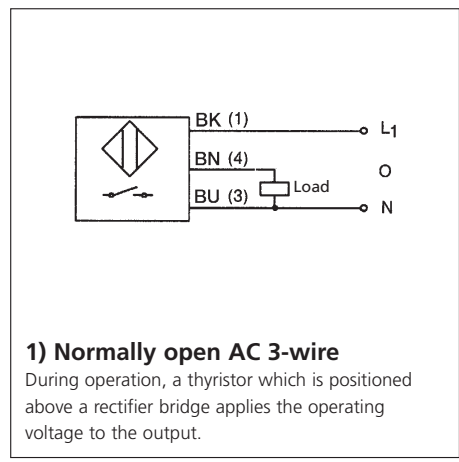
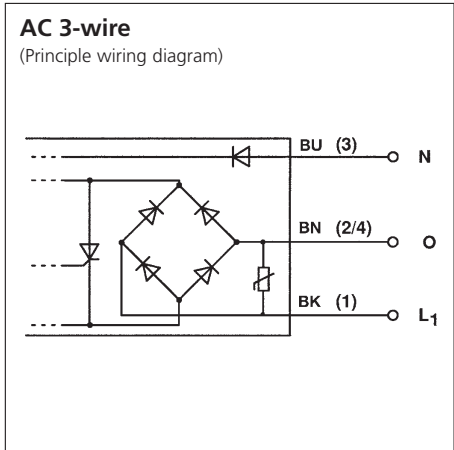
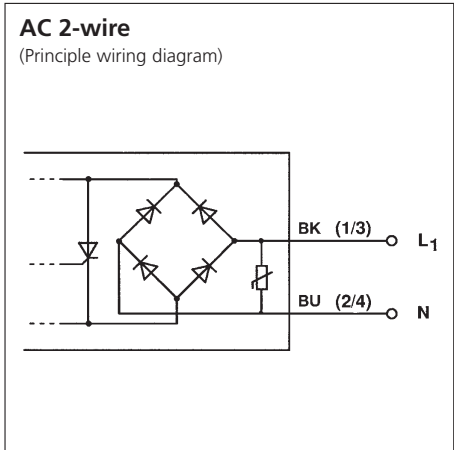
- BN = brown
- BU = blue
- BK = black (switching output)
- WH = white (switching output)



Wiring diagrams of AC output types

Key to colour coding of cable

- BN = brown
- BU = blue
- BK = black



Mounting brackets

