

**M 12 x 1****2 mm (0.08")**

●/-	●/-	-
NPN	PNP	AC

KIB-M12NS/ 002-KL2	KIB-M12PS/ 002-KL2	-
693.2303.001	693.2903.001	
263/4	263/1	

●/-	●/-	-
-	-	-

M 12 x 1**2 mm (0.08")**

●/-	●/-	-
NPN	PNP	AC

KIB-M12NS/ 002-KLS12	KIB-M12PS/ 002-KLS12	-
693.2343.001	693.2943.001	
263/4	263/1	

●/-	●/-	-
-	-	-

M 12 x 1**4 mm (0.16")**

-/●	-/●	-
NPN	PNP	AC

KIN-M12NS/ 004-KL2	KIN-M12PS/ 004-KL2	-
693.2304.001	693.2904.001	
263/4	263/1	

●/-	●/-	-
-	-	-

10-36 V	10-36 V	-
-/200 mA	-/200 mA	-
800 Hz	800 Hz	-

●	●	-
●/-	●/-	-

-	-	-
---	---	---

-25 °C/+70 °C	-25 °C/+70 °C	-
-13 °F/+158 °F	-13 °F/+158 °F	-

IP 67/NEMA 4	IP 67/NEMA 4	-
--------------	--------------	---

-	-	-
PVC 3x0.14	PVC 3x0.14	-

-	-	-
-	-	-

10-36 V	10-36 V	-
-/200 mA	-/200 mA	-
800 Hz	800 Hz	-

●	●	-
●/-	●/-	-

-	-	-
---	---	---

-25 °C/+70 °C	-25 °C/+70 °C	-
-13 °F/+158 °F	-13 °F/+158 °F	-

IP 67/NEMA 4	IP 67/NEMA 4	-
--------------	--------------	---

-	-	-
-	-	-

-	-	-
284/285/286	284/285/286	-

10-36 V	10-36 V	-
-/200 mA	-/200 mA	-
400 Hz	400 Hz	-

●	●	-
●/-	●/-	-

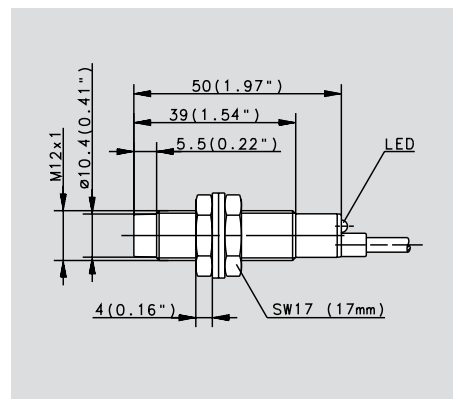
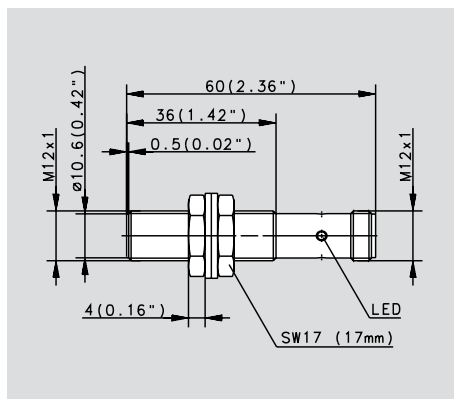
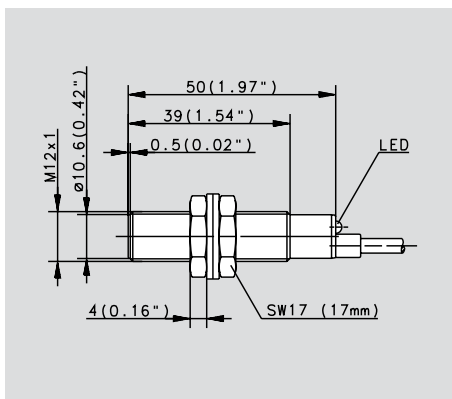
-	-	-
---	---	---

-25 °C/+70 °C	-25 °C/+70 °C	-
-13 °F/+158 °F	-13 °F/+158 °F	-

IP 67/NEMA 4	IP 67/NEMA 4	-
--------------	--------------	---

-	-	-
PVC 3x0.14	PVC 3x0.14	-

-	-	-
-	-	-



**M 18 x 1****5 mm (0.20")**

●/-	●/-	-
NPN	PNP	AC
KIB-M18NS/ 005-KLS12	KIB-M18PS/ 005-KLS12	-
693.2305.004	693.2905.004	-
263/4	263/1	-
●/-	●/-	-
-	-	-

M 18 x 1**8 mm (0.32")**

-/●	-/●	-
NPN	PNP	AC
KIN-M18NS/ 008-KL2	KIN-M18PS/ 008-KL2	-
693.2306.001	693.2906.001	-
263/4	263/1	-
●/-	●/-	-
-	-	-

M 18 x 1**8 mm (0.32")**

-/●	-/●	-
NPN	PNP	AC
KIN-M18NS/ 008-KLS12	KIN-M18PS/ 008-KLS12	-
693.2306.004	693.2906.004	-
263/4	263/1	-
●/-	●/-	-
-	-	-

10-36 V	10-36 V	-
-/200 mA	-/200 mA	-
500 Hz	500 Hz	-
●	●	-
●/-	●/-	-
-	-	-

10-36 V	10-36 V	-
-/200 mA	-/200 mA	-
200 Hz	200 Hz	-
●	●	-
●/-	●/-	-
-	-	-

10-36 V	10-36 V	-
-/200 mA	-/200 mA	-
200 Hz	200 Hz	-
●	●	-
●/-	●/-	-
-	-	-

-25 °C/+70 °C	-25 °C/+70 °C	-
-13 °F/+158 °F	-13 °F/+158 °F	-
IP 67/NEMA 4	IP 67/NEMA 4	-
-	-	-
-	-	-
284/285/286	284/285/286	-
266/6	266/6	-

-25 °C/+70 °C	-25 °C/+70 °C	-
-13 °F/+158 °F	-13 °F/+158 °F	-
IP 67/NEMA 4	IP 67/NEMA 4	-
-	-	-
PVC 3x0.5	PVC 3x0.5	-
-	-	-
266/6	266/6	-

-25 °C/+70 °C	-25 °C/+70 °C	-
-13 °F/+158 °F	-13 °F/+158 °F	-
IP 67/NEMA 4	IP 67/NEMA 4	-
-	-	-
-	-	-
284/285/286	284/285/286	-
-	-	-

