

Inductive sensors

- 27 x 10 x 5
- 28 x 16 x 11
- 40 x 26 x 12
- 50 x 25 x 10

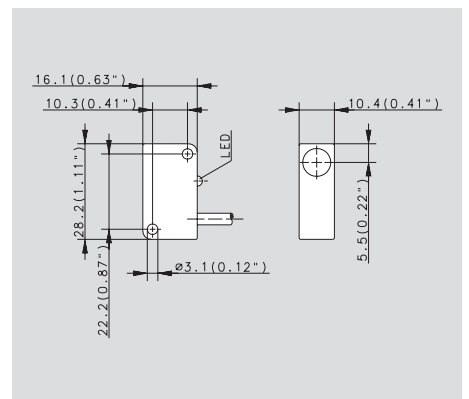
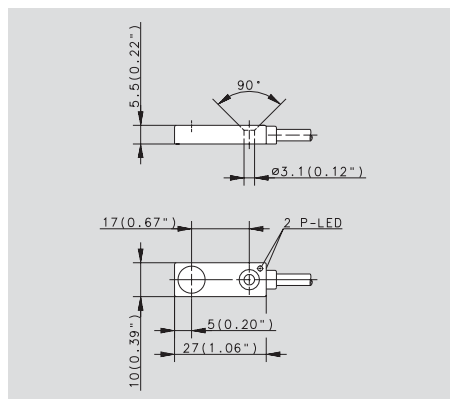


| Rated operating distance | |
|---|---|
| Mounting | flush /non-flush |
| Switching functions | |
| | Model description |
| Normally-open (NO) | Part number |
| | Wiring diagram (page/pos.) |
| Stock status: Ex stock/Built to order | |
| | Model description |
| Normally-closed (NC) | Part number |
| | Wiring diagram (page/pos.) |
| Stock status: Ex stock/Built to order | |
| | Model description |
| Normally-closed/open (NC/NO) selectable | Part number |
| | Wiring diagram (page/pos.) |
| Stock status: Ex stock/Built to order | |
| | Model description |
| Complementary | Part number |
| | Wiring diagram (page/pos.) |
| Stock status: Ex stock/Built to order | |
| Electrical data | |
| Voltage range | |
| Output current | min./max. |
| Switching frequency | max. |
| Short-circuit protection | |
| LED: yellow = switched / green = power | |
| Sensitivity adjustment | |
| Mechanical data | |
| Temperature range | min./max. |
| Protection type | |
| Housing material | |
| Termination | cable 2 m/6.5 ft mm ² plug (page) |
| Accessories | (page/Pos.) |

| 27 x 10 x 5 | | | 28 x 16 x 11 | | |
|-------------------------|-------------------------|----|-----------------------|-----------------------|----------------------|
| 1.5 mm (0.06") | | | 2 mm (0.08") | | |
| NPN | PNP | AC | NPN | PNP | AC |
| KIB-E27NS/ 1.5-KL2PU | KIB-E27PS/ 1.5-KL2PU | - | KIB-E28NS/ 002-KL2 | KIB-E28PS/ 002-KL2 | KIB-E28AS/ 002-L2 |
| 650.2393.001 | 650.2993.001 | | 650.2373.001 | 650.2973.001 | 650.3573.001 |
| 263/4 | 263/1 | | 263/4 | 263/1 | 265/4 |
| -/● | ●/- | - | -/● | ●/- | -/● |
| - | - | - | - | - | - |
| - | - | - | - | - | - |
| - | - | - | - | - | - |
| - | - | - | - | - | - |
| 10-30 V | 10-30 V | - | 10-30 V | 10-30 V | 90-250 V |
| -/200 mA | -/200 mA | - | -/200 mA | -/200 mA | 4/100 mA |
| 1000 Hz | 1000 Hz | - | 600 Hz | 600 Hz | 10 Hz |
| ● | ● | - | ● | ● | - |
| ●/- | ●/- | - | ●/- | ●/- | ●/- |
| - | - | - | - | - | - |
| -25 °C/+70 °C | -25 °C/+70 °C | - | -25 °C/+70 °C | -25 °C/+70 °C | -25 °C/+70 °C |
| -13 °F/+158 °F | -13 °F/+158 °F | - | -13 °F/+158 °F | -13 °F/+158 °F | -13 °F/+158 °F |
| IP 67/NEMA 4 | IP 67/NEMA 4 | - | IP 67/NEMA 4 | IP 67/NEMA 4 | IP 67/NEMA 4 |
| PA 6.6 | PA 6.6 | - | PA 6.6 | PA 6.6 | PA 6.6 |
| PUR 3x0.14 | PUR 3x0.14 | - | PVC 3x0.14 | PVC 3x0.14 | PVC 2x0.14 |
| - | - | - | - | - | - |
| - | - | - | - | - | - |

Dimension diagrams

All dimensions in mm (inch)





40 x 26 x 12
2 mm (0.08")

40 x 26 x 12
4 mm (0.16")

50 x 25 x 10
5 mm (0.20")

| 2 mm (0.08") | | | 4 mm (0.16") | | | 5 mm (0.20") | | |
|--------------|---|--|----------------|---|--|---|---|----|
| NPN | PNP | AC | NPN | PNP | AC | NPN | PNP | AC |
| - | KIB-E40PS/ 002-KL2 650.2984.023 263/1 | KIB-E40AS/ 002-L2 650.3584.004 265/4 | - | KIN-E40PS/ 004-KL2 650.2984.024 263/1 | KIN-E40AS/ 004-L2 650.3584.005 265/4 | KIB-E50NS/ 005-KL2 650.2390.001 263/4 | KIB-E50PS/ 005-KL2 650.2990.001 263/1 | - |
| - | KIB-E40PÖ/ 002-KL2 650.2784.006 263/2 | KIB-E40AÖ/ 002-L2 650.3484.003 265/5 | - | KIN-E40PÖ/ 004-KL2 650.2784.007 263/2 | KIN-E40AÖ/ 004-L2 650.3484.004 265/5 | - | - | - |
| - | - | - | - | - | - | - | - | - |
| - | - | - | - | - | - | - | - | - |
| - | - | - | - | - | - | - | - | - |
| - | 10-36 V | 20-250 V AC | 10-36 V | 10-36 V | 20-250 V AC | 10-60 V | 10-60 V | - |
| - | -/200 mA | -/300 mA | -/200 mA | -/200 mA | -/300 mA | -/200 mA | -/200 mA | - |
| - | 800 Hz | 10 Hz | 400 Hz | 400 Hz | 10 Hz | 500 Hz | 500 Hz | - |
| - | ● | - | ● | ● | - | ● | ● | - |
| - | ●/- | ●/- | ●/- | ●/- | ●/- | ●/- | ●/- | - |
| - | - | - | - | - | - | - | - | - |
| - | -25 °C/+70 °C | -25 °C/+70 °C | -25 °C/+70 °C | -25 °C/+70 °C | -25 °C/+70 °C | -25 °C/+70 °C | -25 °C/+70 °C | - |
| - | -13 °F/+158 °F | -13 °F/+158 °F | -13 °F/+158 °F | -13 °F/+158 °F | -13 °F/+158 °F | -13 °F/+158 °F | -13 °F/+158 °F | - |
| - | IP 67/NEMA 4 | IP 67/NEMA 4 | IP 67/NEMA 4 | IP 67/NEMA 4 | IP 67/NEMA 4 | IP 67/NEMA 4 | IP 67/NEMA 4 | - |
| - | PA 6.6 | PA 6.6 | PA 6.6 | PA 6.6 | PA 6.6 | PA 6.6 | PA 6.6 | - |
| - | PVC 3x0.5 | PVC 2x0.5 | PVC 3x0.5 | PVC 3x0.5 | PVC 2x0.5 | PVC 3x0.5 | PVC 3x0.5 | - |
| - | - | - | - | - | - | - | - | - |
| - | - | - | - | - | - | - | - | - |

