

Inductive sensors

M 18 x 1



Rated operating distance	
Mounting	flush /non-flush
Switching functions	
	Model description
	Part number
Normally-open (NO)	Wiring diagram (page/pos.)
Stock status: Ex stock/Built to order	
	Model description
	Part number
Normally-closed (NC)	Wiring diagram (page/pos.)
Stock status: Ex stock/Built to order	
	Model description
	Part number
Normally-closed/open (NC/NO) selectable	Wiring diagram (page/pos.)
Stock status: Ex stock/Built to order	
	Model description
	Part number
Complementary	Wiring diagram (page/pos.)
Stock status: Ex stock/Built to order	
Electrical data	
Voltage range	10–60 V
Output current	min./max. –/200 mA
Switching frequency	max. 500 Hz
Short-circuit protection	●
LED: yellow = switched / green = power	●/–
Sensitivity adjustment	–
Mechanical data	
Temperature range	min./max. –25 °C/+70 °C
Protection type	IP 67/NEMA 4
Housing material	CuZn39Pb3
Termination	cable 2 m/6.5 ft mm ²
	plug (page)
Accessories	(page/Pos.)

M 18 x 1 5 mm (0.20")

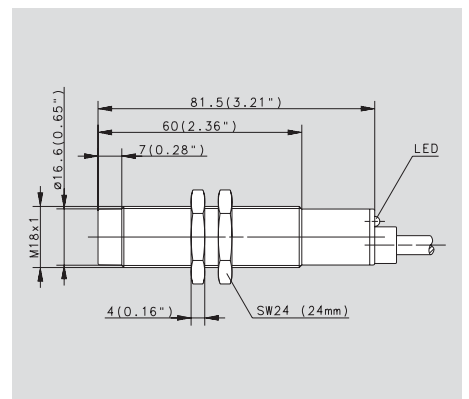
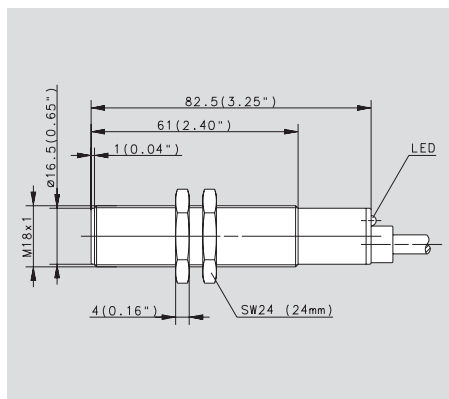
●/–	●/–	●/–
NPN	PNP	AC
KIB-M18NS/ 005-KL2	KIB-M18PS/ 005-KL2	KIB-M18AS/ 005-L2
650.2305.134	650.2905.850	650.3505.004
263/4	263/1	265/4
–/●	●/–	●/–
–	KIB-M18PÖ/ 005-KL3	KIB-M18AÖ/ 005-L2
	650.2705.172	650.3405.001
	263/2	265/5
	–/●	–/●
–	–	–
–	KIB-M18PU/ 005-KL2	–
	650.2805.001	
	264/4	
	–/●	

M 18 x 1 8 mm (0.32")

–/●	–/●	–/●
NPN	PNP	AC
KIN-M18NS/ 008-KL2	KIN-M18PS/ 008-KL2	KIN-M18AS/ 008-L2
650.2306.194	650.2906.200	650.3506.002
263/4	263/1	265/4
–/●	●/–	●/–
–	KIN-M18NÖ/ 008-KL2	KIN-M18PÖ/ 008-KL2
	650.2106.191	650.2706.001
	263/5	263/2
	–/●	–/●
–	–	–
–	KIN-M18PU/ 008-KL2	–
	650.2806.001	
	264/4	
	–/●	

Dimension diagrams

All dimensions in mm (inch)



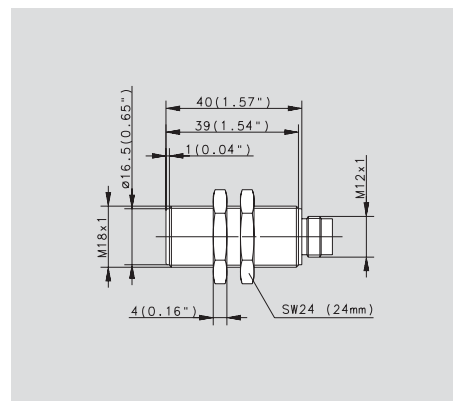
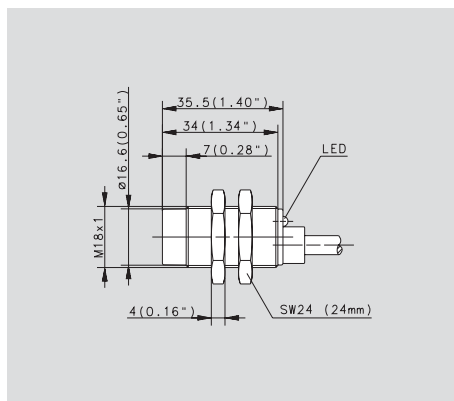
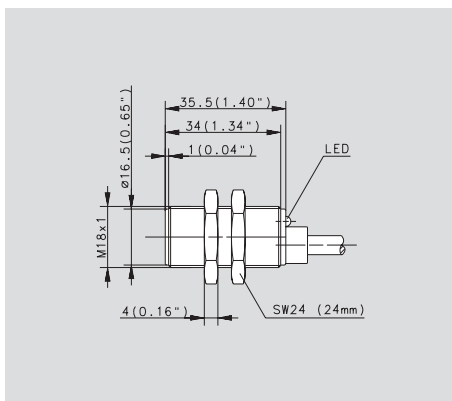


M 18 x 1
5 mm (0.20")

M 18 x 1
8 mm (0.32")

M 18 x 1
5 mm (0.20")

M 18 x 1 5 mm (0.20")			M 18 x 1 8 mm (0.32")			M 18 x 1 5 mm (0.20")		
NPN	PNP	AC	NPN	PNP	AC	NPN	PNP	AC
-	●/-	-	-/●	-/●	-	-	●/-	-
-	KIB-M18PS/ 005-KL2V 650.2905.008 263/1	-	KIN-M18NS/ 008-KL2V 650.2306.004 263/4	KIN-M18PS/ 008-KL2V 650.2906.006 263/1	-	-	KIB-M18PS/ 005-KS12V 650.2905.012 263/1	-
-	●/-	-	-	●/-	-	-	●/-	-
-	KIB-M18PÖ/ 005-KL2V 650.2705.006 263/2	-	-	KIN-M18PÖ/ 008-KL2V 650.2706.002 263/2	-	-	KIB-M18PÖ/ 005-KS12V 650.2705.007 263/2	-
-	-/●	-	-	-/●	-	-	-/●	-
-	-	-	-	-	-	-	-	-
-	-	-	-	-	-	-	-	-
-	-	-	-	-	-	-	-	-
-	10-60 V	-	10-60 V	10-60 V	-	-	10-60 V	-
-	-200 mA	-	-200 mA	-200 mA	-	-	-200 mA	-
-	500 Hz	-	200 Hz	200 Hz	-	-	500 Hz	-
-	●	-	●	●	-	-	●	-
-	●/-	-	●/-	●/-	-	-	-	-
-	-	-	-	-	-	-	-	-
-	-25 °C/+70 °C	-	-25 °C/+70 °C	-25 °C/+70 °C	-	-	-25 °C/+70 °C	-
-	-13 °F/+158 °F	-	-13 °F/+158 °F	-13 °F/+158 °F	-	-	-13 °F/+158 °F	-
-	IP 67/NEMA 4	-	IP 67/NEMA 4	IP 67/NEMA 4	-	-	IP 67/NEMA 4	-
-	CuZn39Pb3	-	CuZn39Pb3	CuZn39Pb3	-	-	CuZn39Pb3	-
-	PVC 3x0.5	-	PVC 3x0.5	PVC 3x0.5	-	-	-	-
-	-	-	-	-	-	-	284/285/286	-
-	266/6	-	266/6	266/6	-	-	266/6	-



**M 30 x 1.5****10 mm (0.39")**

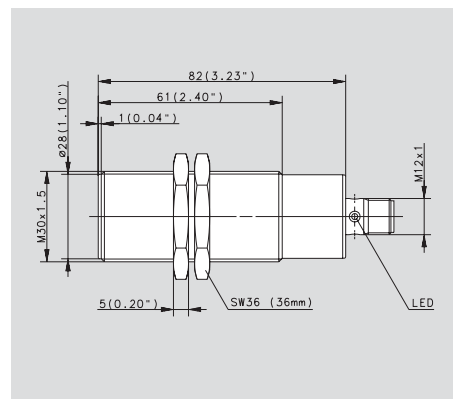
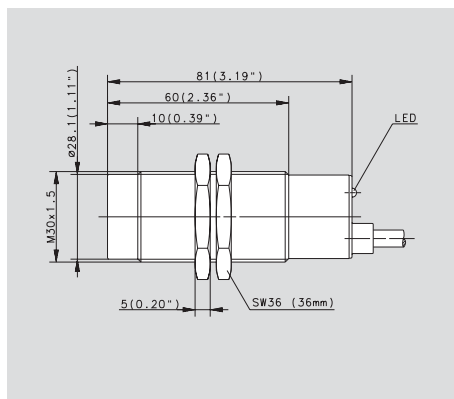
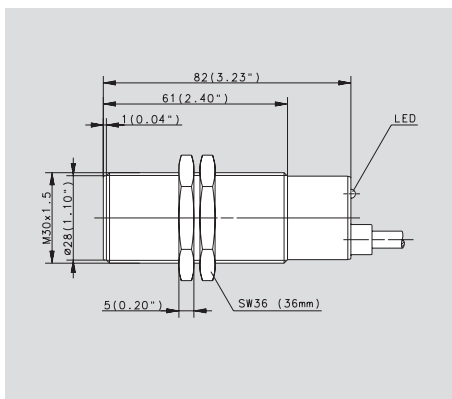
●/-	●/-	●/-
NPN	PNP	AC
KIB-M30NS/ 010-KL2	KIB-M30PS/ 010-KL2	KIB-M30AS/ 010-L2
650.2307.135	650.2907.068	650.3507.378
263/4	263/1	265/4
-/●	●/-	●/-
-	-	KIB-M30AÖ/ 010-L2
-	-	650.3407.240
-	-	265/5
-	-	-/●

M 30 x 1.5**15 mm (0.59")**

-/●	-/●	-/●
NPN	PNP	AC
KIN-M30NS/ 015-KL2	KIN-M30PS/ 015-KL2	KIN-M30AS/ 015-L2.5
650.2308.001	650.2908.002	650.3508.246
263/4	263/1	265/4
-/●	●/-	-/●
-	-	-

M 30 x 1.5**10 mm (0.39")**

-	●/-	-
NPN	PNP	AC
-	KIB-M30PS/ 010-KLS12	-
-	650.2939.004	-
-	263/1	-
-	●/-	-
-	-	-



Inductive sensors

M 30 x 1.5

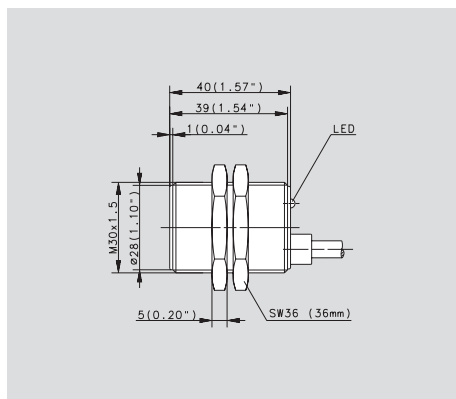
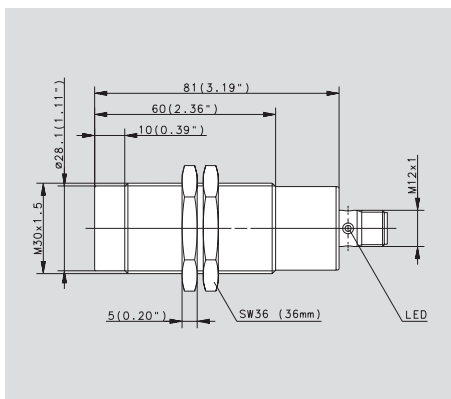


Rated operating distance	
Mounting	flush /non-flush
Switching functions	
	Model description
Normally-open (NO)	Part number Wiring diagram (page/pos.)
Stock status: Ex stock/Built to order	
	Model description
Normally-closed (NC)	Part number Wiring diagram (page/pos.)
Stock status: Ex stock/Built to order	
	Model description
Normally-closed/open (NC/NO) selectable	Part number Wiring diagram (page/pos.)
Stock status: Ex stock/Built to order	
	Model description
Complementary	Part number Wiring diagram (page/pos.)
Stock status: Ex stock/Built to order	
Electrical data	
Voltage range	min./max.
Output current	min./max.
Switching frequency	max.
Short-circuit protection	
LED: yellow = switched / green = power	
Sensitivity adjustment	
Mechanical data	
Temperature range	min./max.
Protection type	
Housing material	
Termination	cable 2 m/6.5 ft mm ² plug (page)
Accessories	(page/Pos.)

M 30 x 1.5 15 mm (0.59")			M 30 x 1.5 10 mm (0.39")		
NPN	PNP	AC	NPN	PNP	AC
-	-/●	-	-	●/-	-
-	KIN-M30PS/ 015-KLS12 650.2935.005 263/1	-	-	KIB-M30PS/ 010-KL2V 650.2907.003 263/1	-
-	●/-	-	-	●/-	-
-	-	-	-	KIB-M30PÖ/ 010-KL2V 650.2707.001 263/2	-
-	-	-	-	-/●	-
-	-	-	-	-	-
-	-	-	-	-	-
-	-	-	-	-	-
-	10-60 V	-	-	10-60 V	-
-	-/200 mA	-	-	-/200 mA	-
-	100 Hz	-	-	100 Hz	-
-	●	-	-	●	-
-	●/-	-	-	●/-	-
-	-	-	-	-	-
-	-25 °C/+70 °C	-	-	-25 °C/+70 °C	-
-	-13 °F/+158 °F	-	-	-13 °F/+158 °F	-
-	IP 67/NEMA 4	-	-	IP 67/NEMA 4	-
-	CuZn39Pb3	-	-	CuZn39Pb3	-
-	-	-	-	PVC 3x0.5	-
-	284/285/286	-	-	-	-
-	266/8	-	-	266/8	-

Dimension diagrams

- 1) DC-3-wire 2) AC-2-wire
 1 = + 1 = L1
 2 = - 2 = Output
 3 = Output
- 3) Cable length 2.5 m/98"
- All dimensions in mm (inch)



**M 30 x 1.5****15 mm (0.59")**

	-/●	-/●
NPN	PNP	AC
-	KIN-T30PS/ 015-KL2 650.2923.981 263/1	KIN-T30AS/ 015-L2.5 ¹⁾ 650.3523.956 265/4
-	●/-	●/-

M 30 x 1.5**10 mm (0.39")**

	●/-	-
NPN	PNP	AC
-	-	-
-	-	-
-	KIB-T30PP/ 010-KLSD 650.2822.862 ¹⁾	-
-	●/-	-

M 30 x 1.5**15 mm (0.59")**

	-/●	-/●
NPN	PNP	AC
-	KIN-M30PS/ 015-KLSD 650.2935.001 ¹⁾	-
-	●/-	-
-	-	-
-	KIN-T30PP/ 015-KLSD 650.2836.860 ¹⁾	KIN-T30AP/ 015-LSD 650.3536.868 ²⁾
-	●/-	●/-

-	10-60 V	20-250 V	-	10-60 V	-	-	10-60 V	20-250 V
-	-200 mA	4/400 mA	-	-200 mA	-	-	-200 mA	4/400 mA
-	100 Hz	10 Hz	-	300 Hz	-	-	100 Hz	10 Hz
-	●	-	-	●	-	-	●	-
-	●/-	●/-	-	●/-	-	-	●/-	●/-
-	-	-	-	-	-	-	-	-
-	-25 °C/+70 °C	-25 °C/+70 °C	-	-25 °C/+70 °C	-	-	-25 °C/+70 °C	-25 °C/+70 °C
-	-13 °F/+158 °F	-13 °F/+158 °F	-	-13 °F/+158 °F	-	-	-13 °F/+158 °F	-13 °F/+158 °F
-	IP 67/NEMA 4	IP 67/NEMA 4	-	IP 65/NEMA 12	-	-	IP 65/NEMA 12	IP 65/NEMA 12
-	PA 6	PA 6	-	PA 6	-	-	CuZn39Pb3/PA 6	PA 6
-	PVC 3x0.5	PVC 2x0.5	-	-	-	-	-	-
-	-	-	-	-	-	-	-	-
-	266/8	266/8	-	266/8	-	-	266/8	266/8

