



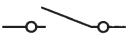
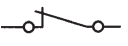

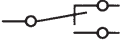
Inductive sensors

M 4 x 0.5

M 5 x 0.5

M 8 x 1



Rated operating distance	
Mounting	flush  /non-flush 
Switching functions	
	Model description
Normally-open (NO)	Part number Wiring diagram (page/pos.)
Stock status: Ex stock/Built to order	
	Model description
Normally-closed (NC)	Part number Wiring diagram (page/pos.)
Stock status: Ex stock/Built to order	
	Model description
Normally-closed/open (NC/NO) selectable	Part number Wiring diagram (page/pos.)
Stock status: Ex stock/Built to order	
	Model description
Complementary	Part number Wiring diagram (page/pos.)
Stock status: Ex stock/Built to order	
Electrical data	
Voltage range	10–30 V
Output current	min./max. –/100 mA
Switching frequency	max. 3000 Hz
Short-circuit protection	●
LED: yellow = switched / green = power	●/–
Sensitivity adjustment	–
Mechanical data	
Temperature range	min./max. –25 °C/+70 °C
Protection type	IP 67/NEMA 4
Housing material	CuZn39Pb3
Termination	cable 2 m/6.5 ft mm ² plug (page)
Accessories	(page/Pos.)

M 4

0.6 mm (0.02")

●/–	●/–	–
NPN	PNP	AC
KIB-M04NS/ 0.6-KL2PU	KIB-M04PS/ 0.6-KL2PU	–
650.2399.018	650.2999.020	
263/4	263/1	
–/●	●/–	
–	KIB-M04PÖ/ 0.6-KL2PU	–
	650.2799.008	
	263/2	
	–/●	
–	–	–

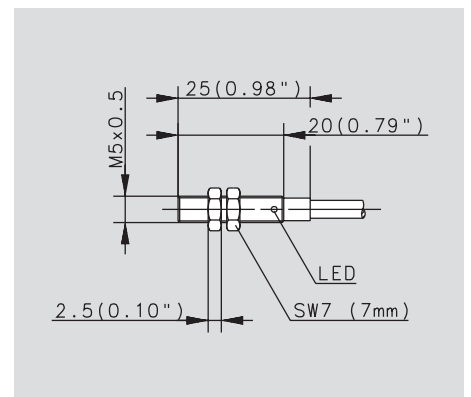
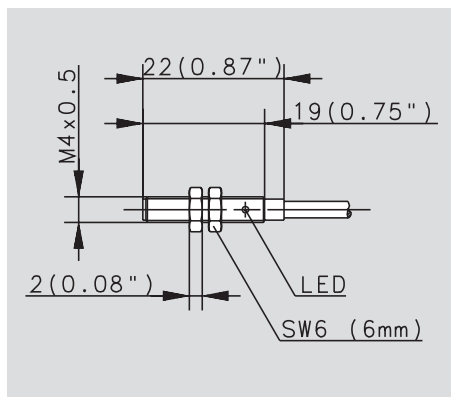
M 5

1 mm (0.04")

●/–	●/–	–
NPN	PNP	AC
KIB-M05NS/ 001-KL2PU	KIB-M05PS/ 001-KL2PU	–
650.2399.003	650.2999.003	
263/4	263/1	
–/●	●/–	
–	KIB-M05NÖ/ 001-KL2PU	–
	650.2199.001	
	263/5	
	–/●	
–	–	–

Dimension diagrams

All dimensions in mm (inch)



**M 5****1 mm (0.04")**

–	●/–	–
NPN	PNP	AC
–	KIB-M05PS/ 001-KLSM8 650.2999.018 263/1	–
–	●/–	–

M 8 x 1**1.5 mm (0.06")**

●/–	●/–	–
NPN	PNP	AC
KIB-M08NS/ 1.5-KL2 650.2301.003 263/4	KIB-M08PS/ 1.5-KL2 650.2901.003 263/1	–
●/–	●/–	–
KIB-M08NÖ/ 1.5-KL2 650.2101.001 263/5	KIB-M08PÖ/ 1.5-KL2 650.2701.001 263/2	–
●/–	●/–	–

M 8 x 1**1.5 mm (0.06")**

●/–	●/–	–
NPN	PNP	AC
KIB-M08NS/ 1.5-KLSM8 650.2342.003 263/4	KIB-M08PS/ 1.5-KLSM8 650.2942.005 263/1	–
–/●	●/–	–
–	KIB-M08PÖ/ 1.5-KLSM8 650.2742.001 263/2	–
–	●/–	–

–	10–30 V	–
–	–200 mA	–
–	3000 Hz	–
–	●	–
–	●/–	–
–	–	–

10–36 V	10–36 V	–
–200 mA	–200 mA	–
1000 Hz	1000 Hz	–
●	●	–
●/–	●/–	–
–	–	–

10–36 V	10–36 V	–
–200 mA	–200 mA	–
1000 Hz	1000 Hz	–
●	●	–
●/–	●/–	–
–	–	–

–	–25 °C/+70 °C	–
–	–13 °F/+158 °F	–
–	IP 67/NEMA 4	–
–	CuZn39Pb3	–
–	–	–
–	282/283	–
–	266/4	–

–25 °C/+70 °C	–25 °C/+70 °C	–
–13 °F/+158 °F	–13 °F/+158 °F	–
IP 67/NEMA 4	IP 67/NEMA 4	–
stainless steel 1.4305	stainless steel 1.4305	–
PVC 3x0.14	PVC 3x0.14	–
–	–	–
–	–	–

–25 °C/+70 °C	–25 °C/+70 °C	–
–13 °F/+158 °F	–13 °F/+158 °F	–
IP 67/NEMA 4	IP 67/NEMA 4	–
stainless steel 1.4305	stainless steel 1.4305	–
–	–	–
282/283	282/283	–
–	–	–

