

Inductive sensors

Ø 3
Ø 4
Ø 6.5



Rated operating distance	
Mounting	flush /non-flush
Switching functions	
	Model description
Normally-open (NO)	Part number
Stock status: Ex stock/Built to order	Wiring diagram (page/pos.)
	Model description
Normally-closed (NC)	Part number
Stock status: Ex stock/Built to order	Wiring diagram (page/pos.)
	Model description
Normally-closed/open (NC/NO) selectable	Part number
Stock status: Ex stock/Built to order	Wiring diagram (page/pos.)
	Model description
Complementary	Part number
Stock status: Ex stock/Built to order	Wiring diagram (page/pos.)
Electrical data	
Voltage range	
Output current	min./max.
Switching frequency	max.
Short-circuit protection	
LED: yellow = switched / green = power	
Sensitivity adjustment	
Mechanical data	
Temperature range	min./max.
Protection type	
Housing material	
Termination	cable 2 m/6.5 ft mm ²
	plug (page)
Accessories	(page/Pos.)

Ø 3

0.6 mm (0.02")

NPN	PNP	AC
–	●/–	–
–	KIB-D03PS/ 0.6-KL2PU 650.2999.019 263/1	–
–	●/–	–
–	KIB-D03PÖ/ 0.6-KL2PU 650.2799.007 263/2	–
–	●/–	–
–	–	–

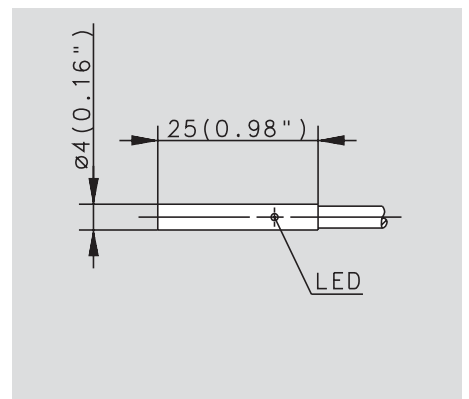
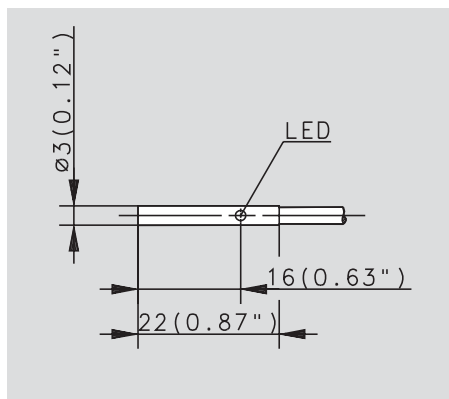
Ø 4

0.8 mm (0.03")

NPN	PNP	AC
–	●/–	–
–	KIB-D04NS/ 0.8-KL2PU 650.2399.004 263/4	–
–	●/–	–
–	KIB-D04PÖ/ 0.8-KL2PU 650.2799.002 263/2	–
–	–/●	–
–	–	–

Dimension diagrams

All dimensions in mm (inch)





Ø 4			Ø 6.5			Ø 6.5		
0.8 mm (0.03")			1.5 mm (0.06")			1.5 mm (0.06")		
●/-	●/-	-	●/-	●/-	-	-	●/-	-
NPN	PNP	AC	NPN	PNP	AC	NPN	PNP	AC
KIB-D04NS/ 0.8-KLSM8	KIB-D04PS/ 0.8-KLSM8	-	KIB-D06NS/ 1.5-KL2	KIB-D06PS/ 1.5-KL2	-	-	KIB-D06PS/ 1.5-K2VPU	-
650.2399.015	650.2999.017	-	650.2399.009	650.2999.010	-	-	650.2999.034	-
263/4	263/1	-	263/4	263/1	-	-	263/1	-
-/●	●/-	-	-/●	●/-	-	-	●/-	-
-	-	-	-	KIB-D06PÖ/ 1.5-KL2	-	-	-	-
-	-	-	-	650.2799.011	-	-	-	-
-	-	-	-	263/2	-	-	-	-
-	-	-	-	-/●	-	-	-	-
-	-	-	-	-	-	-	-	-
-	-	-	-	-	-	-	-	-
-	-	-	-	-	-	-	-	-
10-30 V	10-30 V	-	10-36 V	10-36 V	-	-	10-36 V	-
-/200 mA	-/200 mA	-	-/200 mA	-/200 mA	-	-	-/200 mA	-
3000 Hz	3000 Hz	-	1000 Hz	1000 Hz	-	-	1000 Hz	-
●	●	-	●	●	-	-	●	-
●/-	●/-	-	●/-	●/-	-	-	-	-
-	-	-	-	-	-	-	-	-
-25 °C/+70 °C	-25 °C/+70 °C	-	-25 °C/+70 °C	-25 °C/+70 °C	-	-	-25 °C/+70 °C	-
-13 °F/+158 °F	-13 °F/+158 °F	-	-13 °F/+158 °F	-13 °F/+158 °F	-	-	-13 °F/+158 °F	-
IP 67/NEMA 4	IP 67/NEMA 4	-	IP 67/NEMA 4	IP 67/NEMA 4	-	-	IP 67/NEMA 4	-
stainless steel 1.4305	stainless steel 1.4305	-	stainless steel 1.4401	stainless steel 1.4401	-	-	stainless steel 1.4401	-
-	-	-	PVC 3x0.14	PVC 3x0.14	-	-	PUR 3x0.14	-
282/283	282/283	-	-	-	-	-	-	-
266/3	266/3	-	266/5	266/5	-	-	266/5	-

