

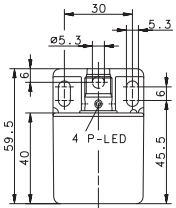
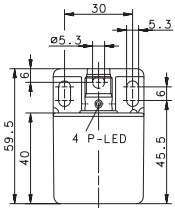

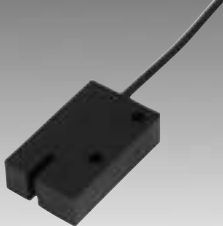
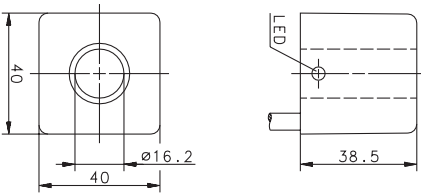
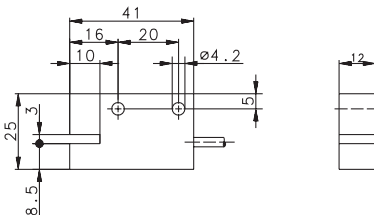


Inductive sensors

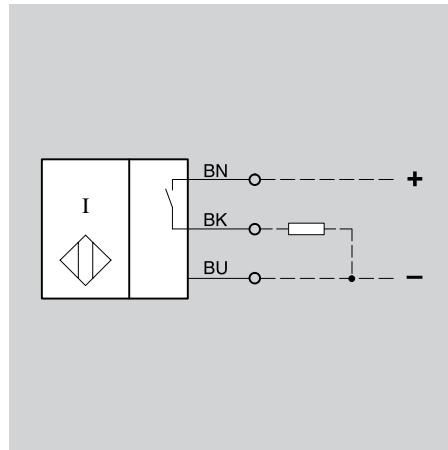
Special-purpose design

Type N40	15 mm sensing distance		20 mm sensing distance	
				
	Flush design		Non-flush design	
	M12 plug/PNP NO contact	M12 plug/PNP NC contact	M12 plug/PNP NO contact	M12 plug/PNP NO contact
Model description Part number	KIB-N40PS/015-KLS12 650.2988.001	KIB-N40PÖ/015-KLS12 650.2788.001	KIN-N40PS/020-KLS12 650.2982.003	KIN-N40PÖ/020-KLS12 650.2782.001
Dimensions				

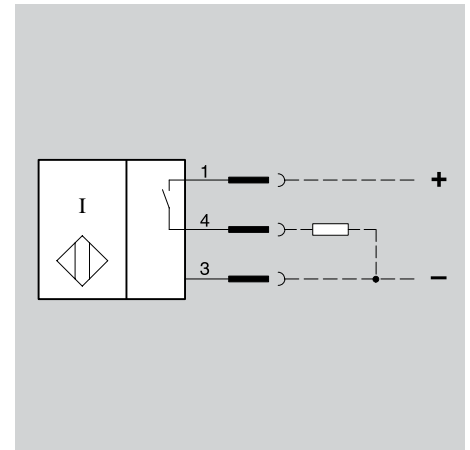
Type N40 – Ring sensor Type S03 – Slot sensor	Ring sensor Ø 16 mm		Slot sensor 3 mm slot width	
				
	6 m cable		2 m cable	
	PNP-NO contact	NPN-NO contact	PNP-NO contact	NPN-NO contact
Model description Part number	KIR-N40PS/000-KL6 650.2999.036	KIR-N40NS/000-KL6 660.2399.375	KIN-S03PS/003K2 650.2999.035	–
Dimensions				

Wiring diagrams

Type N40, cable version
Type SO3, slot sensor



Type N40, plug version



Accessories

Cable couplings see page 284 ff.

General data

		N40 flush	N40 non-flush	N40 Ring sensor	N40 Slot sensor
Operating voltage	U_B	10–36 V			10–30 V
Rated operating voltage	I_B	≤ 200 mA			
Switching hysteresis	H	10% from rated switching distance			–
Reproducibility	R	$\leq 5\%$			
Switching frequency	F	100 Hz	50 Hz	4000 Hz	
Output		continuous short-circuit- and overload proof			
Polarity reversal protection		yes			
Rated switching distance	S_n	15 mm	20 mm	Immersion approx. 20 mm	Immersion approx. 7 mm
Functions-/operating voltage display		●/–	●/–	●/–	–/–
Ambient temperature		– 25 °C to + 70 °C			
Protection class		IP 67 according to IEC 529, EN 60 529			
Enclosure		PA6		PA6	
Connection	mm ²	S12 plug		cable 3 x 0.5 mm ²	cable 3 x 0.14 mm ²