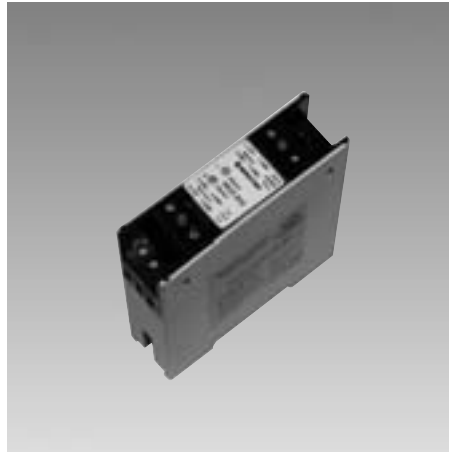


## Safety magnetic controller

TÜV certificated

System type 3  
according to EN 954-1  
in safety category 3

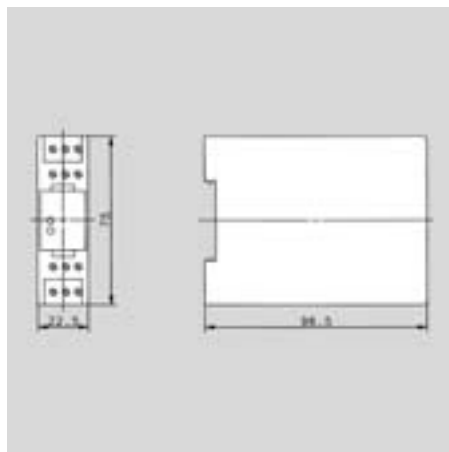
Single fault tolerance S to IEC 60947-5-3



Designation	MÜZ-102/D24-FL-DA	MÜZ-202/D24-FL
<b>Part number</b>	<b>639.2701.306</b>	<b>639.2702.307</b>
Max. connectable sensor units	1	2
safety output, N.O.	●	●
Feedback circuit	●	–
Data output, N.C.	●	–
<b>Operating voltage</b>		
AC 230 V	–*	–*
AC 24 V	–	–
DC 24 V	●	●
Input current	60 mA	60 mA
<b>Switching capacity, safety contact</b>		
Switching voltage	max. AC 250 V	max. AC 250 V
Switching current	max. 8 A	max. 8 A
Switching capacity	max. 1700 VA	max. 1700 VA
LED: Status of hazard/switching status	●/–	●/–
LED: supply voltage/on	●	–
Relay: forced disconnection/standard	●/–	●/–
<b>Ambient conditions</b>		
Temperature range	min./max. 0 °C/+55 °C 32 °F/+131 °F	min./max. 0 °C/+55 °C 32 °F/+131 °F
Protection class (according to IEC 529, EN 60529)	IP 20	IP 20
Housing material	PC	PC
Attachment option (DIN 50022)	TS 35	TS 35
Connetion type: terminal block	max. 2.5 mm <sup>2</sup> 260/7	max. 2.5 mm <sup>2</sup> 260/8
<b>Applicable sensor units see page 203</b>		
Delivery: ex-stock/built to order	●/–	●/–

All dimensions in mm

\* By using separate power supply (housing with same width: 22.5 mm); available on request.

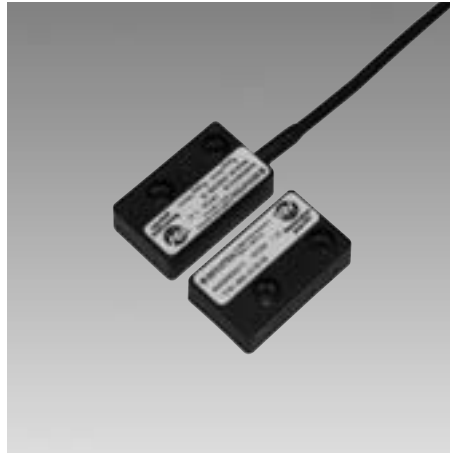


## Coded magnetic switches

<b>3 m PVC cable</b>	
Designation	
<b>Part number</b>	
Delivery: ex-stock/built to order	
<b>Ambient conditions</b>	
Temperature range	min./max.
Protection type (according to IEC 529, EN 60529)	
Housing material	
Sensing distance	S on min. S off max.
<b>Operating magnet</b>	
Designation	
<b>Part number</b>	
<b>To be used MÜZ</b>	
<b>Part number</b>	

All dimensions in mm

Other versions available on request.



MAK-4236-3  
649.0642.315  
●/-

MAK-5236-3  
649.0652.316  
-●

MAK-5336-3  
649.0653.317  
●/-

-5 °C/+70 °C  
+23 °F/+158 °C  
IP 67  
PA 6.6  
4 mm  
14 mm

-5 °C/+70 °C  
+23 °F/+158 °C  
IP 67  
PBT  
3 mm  
14 mm

-5 °C/+70 °C  
+23 °F/+158 °C  
IP 67  
PA 6.6  
3 mm  
14 mm

TK-42-CD  
640.2042.310

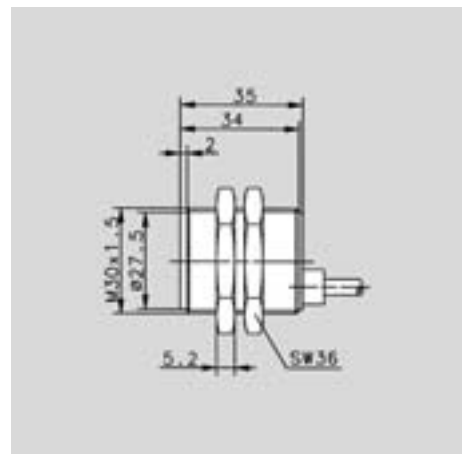
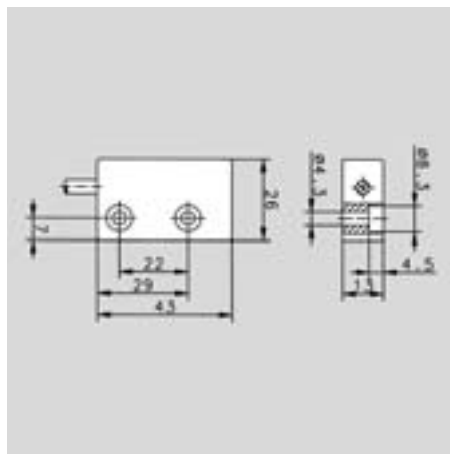
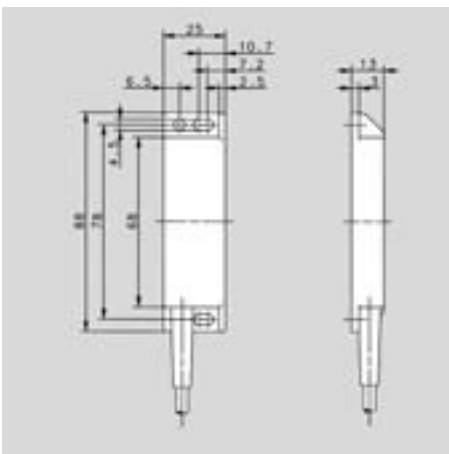
TK-52-CD/2  
640.2052.311

TK-43-CD  
640.2043.312

639.2701.306  
639.2702.307

639.2701.306  
639.2702.307

639.2701.306  
639.2702.307



# Safety magnetic controller

BIA risk-evaluated

System type 3  
according to EN 954-1  
in safety category 3



Designation	MÜZ-202/D24-UM	MÜZ-602/D24-UM
<b>Part number</b>	<b>639.2702.301</b>	<b>639.2706.302</b>
Max. connectable sensor units	2	6
Normally-open contact	–	–
Combined normally-open/normally-closed contact	–	–
Changeover contact	●	●
<b>Operating voltage</b>		
AC 230 V	–	–
AC 24 V	–	–
DC 24 V	●	●
Input current	0.1 A	0.1 A
<b>Switching capacity, safety contact</b>		
Switching voltage	max. AC 250 V	max. AC 250 V
Switching current	max. 8 A	max. 8 A
switching capacity	max. 1700 VA	max. 1700 VA
LED: Status of hazard/switching status	●/–	●/–
Relay: forced disconnection/standard	●/–	●/–
<b>Ambient conditions</b>		
Temperature range	min./max. 0 °C/+55 °C 32 °F/+131 °F	0 °C/+55 °C 32 °F/+131 °F
Protection class (according to DIN 40050)	IP 20	IP 20
Housing material	PA 6.6	PA 6.6
Attachment option (DIN 50022)	TS 35	TS 35
Connection type: terminal block	max. 2.5 mm <sup>2</sup> 260/3	max. 2.5 mm <sup>2</sup> 260/4
<b>Applicable sensor units</b>		
Switch	MAK-xx36	MAK-xx36
Magnet	TK-xx-CD	TK-xx-CD
see page	258–259	258–259
<b>Approvals</b>		
BIA risk-evaluated in safety category	III	III
Delivery: ex-stock/built to order	●/–	●/–

All dimensions in mm

Other versions available on request.

