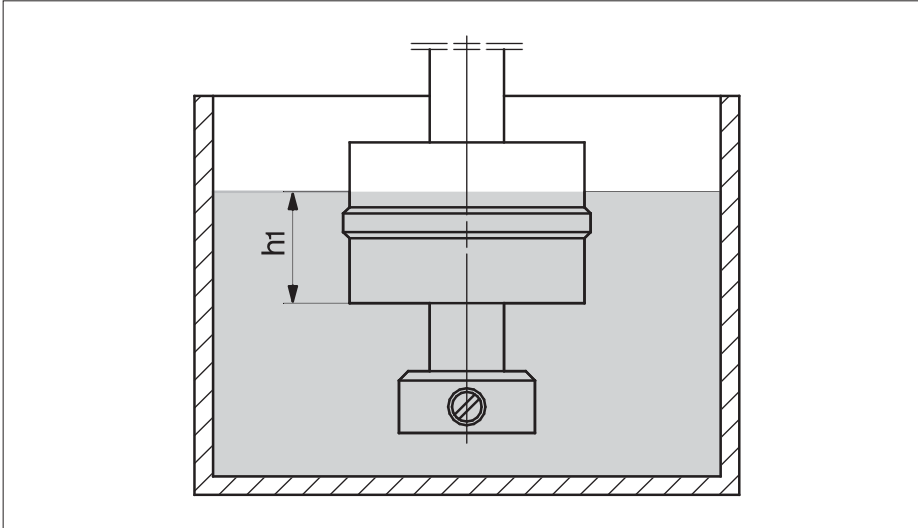


Float standard programme



ID letter:	A/M/K	
Dimension (mm):	Ø40 x 27	
Material:	POM	
Depth of immersion	Weighing	
h1(mm)	y (g/cm³)	
18	1	
20	0.9	
22.5	0.8	
26	0.7	
Part No.:	494.5206.009	



ID letter:	T/C/I	
Dimension (mm):	Ø30 x 44	
Material:	PP	
Depth of immersion	Weighing	
h1(mm)	y (g/cm³)	
27.5	1	
30.5	0.9	
34.5	0.8	
39.5	0.7	
Part No.:	494.5203.019	



ID letter:	R/S/U	
Dimension (mm):	Ø30 x 44	
Material:	NBR	
Depth of immersion	Weighing	
h1(mm)	y (g/cm³)	
19.5	1	
22	0.9	
24.5	0.8	
28	0.7	
Part No.:	494.5203.031	



ID letter:	V/L/D	
Dimension (mm):	Ø42 x 44	
Material:	PVC	
Depth of immersion	Weighing	
h1(mm)	y (g/cm³)	
25	1	
27.5	0.9	
30.5	0.8	
35	0.7	
Part No.:	494.5215.029	



ID letter:	N/P	
Dimension (mm):	Ø44 x 45	
Material:	1.4571	
Depth of immersion	Weighing	
h1(mm)	y (g/cm³)	
32	1	
35	0.9	
39	0.8	
45	0.7	
Part No.:	494.2104.002	



ID letter:	E/F	
Dimension (mm):	Ø52	
Material:	1.4571	
Depth of immersion	Weighing	
h1(mm)	y (g/cm³)	
32	1	
34	0.9	
37	0.8	
43	0.7	
Part No.:	494.2105.003	



ID letter:	B/O	
Dimension (mm):	Ø62	
Material:	1.4571	
Depth of immersion	Weighing	
h1(mm)	y (g/cm³)	
33	1	
35	0.9	
38	0.8	
42	0.7	
Part No.:	494.2102.001	



ID letter:	G/H	
Dimension (mm):	Ø84	
Material:	1.4571	
Depth of immersion	Weighing	
h1(mm)	y (g/cm³)	
33	1	
35	0.9	
38	0.8	
42	0.7	
Part No.:	494.2101.004	



Adjustable floats

ID letter:	V/L/D	
Dimension (mm):	Ø52 x 55	
Material:	PVC	
Depth of immersion	Weighing	
h1(mm)	y (g/cm³)	
29	1	
32	0.9	
36	0.8	
42	0.7	
Part No.:	494.5216.032	




ID letter:	N/P	
Dimension (mm):	Ø52 x 55	
Material:	1.4571	
Depth of immersion	Weighing	
h1(mm)	y (g/cm³)	
33	1	
36	0.9	
40.5	0.8	
46	0.7	
Part No.:	494.2299.023	



Miniature floats

ID letter:	K1	
Dimension (mm):	Ø25 x 21	
Material:	PP	
Depth of immersion	Weighing	
h1(mm)	y (g/cm³)	
12	1	
13	0.9	
14.5	0.8	
16.5	0.7	
Part No.:	494.5207.021	



ID letter:	K2	
Dimension (mm):	Ø25 x 21	
Material:	PVC	
Depth of immersion	Weighing	
h1(mm)	y (g/cm³)	
15	1	
16	0.9	
18.5	0.8	
–	0.7	
Part No.:	494.5207.022	




ID letter:	K4	
Dimension (mm):	Ø23 x 25	
Material:	NBR	
Depth of immersion	Weighing	
h1(mm)	y (g/cm³)	
16	1	
17.5	0.9	
19.5	0.8	
22	0.7	
Art.-Nr.:	494.5211.024	



ID letter:	K3	
Dimension (mm):	Ø20 x 20	
Material:	NBR	
Depth of immersion	Weighing	
h1(mm)	y (g/cm³)	
15	1	
17	0.9	
–	0.8	
–	0.7	
Part No.:	494.5210.020	



ID letter:	N1	
Dimension (mm):	Ø30	
Material:	1.4571	
Depth of immersion	Weighing	
h1(mm)	y (g/cm³)	
18	1	
19	0.9	
21	0.8	
24	0.7	
Art.-Nr.:	494.2109.018	



Technical data

Standard magnetic float switches



Electrical data

Switching function	Changeover contact/normally-closed contact/normally-open contact	Changeover contact/normally-closed contact/normally-open contact
Contact ID letter	K	L
Rated voltage (max.)	250 V AC/DC	250 V AC/DC
Rated current (max.)	0.5 A	1 A
Switching capacity (max.)	30 VA	60 VA

Mechanical data

Container connection options	Flange enclosures RD 120 mm Flange enclosures RD 77 mm Flange enclosures RD 165 mm Flange enclosures RD 185 mm Cable gland PG 9 Cable gland R3/8" Cable gland R1/5" with plug connection DIN 43650 Oval flange 75 x 50 mm with plug-in connec. DIN43650	Flange enclosures RD 120 mm Flange enclosures RD 77 mm Flange enclosures RD 165 mm Flange enclosures RD 185 mm Cable gland Pg 9 Cable gland R3/8" Cable gland R1/5" with plug connection DIN 43650 Oval flange 75 x 50 mm with plug-in connec. DIN43650
------------------------------	---------------------------------------------------------------------------------------------------------------------------------------------------------------------------------------------------------------------------------------------------------------------------------	---------------------------------------------------------------------------------------------------------------------------------------------------------------------------------------------------------------------------------------------------------------------------------

Materials switching tube	Stainless steel 1.4571 MS 63 PVC	Stainless steel 1.4571 MS 63 PVC
--------------------------	----------------------------------------	----------------------------------------

Float variants	A / M / K Cylinder floats RD 40 x 27 mm (POM) T / C / I Cylinder floats RD 30 x 44 mm (PP) V / D Cylinder floats RD 42 x 44 mm (NBR) R / SCylinder floats RD 30 x 44 mm (NBR) N / P Cylinder floats RD 44 x 45 mm (stainless steel) E / F Ball floats RD 52 mm (stainless steel) B / O Ball floats RD 62 mm (stainless steel) G / H Ball floats RD 84 mm (stainless steel)	A / M / K Cylinder floats RD 40 x 27 mm (POM) T / C / I Cylinder floats RD 30 x 44 mm (PP) V / D Cylinder floats RD 42 x 44 mm (NBR) R / SCylinder floats RD 30 x 44 mm (NBR) N / P Cylinder floats RD 44 x 45 mm (stainless steel) E / F Ball floats RD 52 mm (stainless steel) B / O Ball floats RD 62 mm (stainless steel) G / H Ball floats RD 84 mm (stainless steel)
----------------	-------------------------------------------------------------------------------------------------------------------------------------------------------------------------------------------------------------------------------------------------------------------------------------------------------------------------------------------------------------------------------------------------	-------------------------------------------------------------------------------------------------------------------------------------------------------------------------------------------------------------------------------------------------------------------------------------------------------------------------------------------------------------------------------------------------

Ambient conditions

Protection type (DIN 40050)	IP 65 (up to IP 68, on request)	IP 65 (up to IP 68, on request)
Temperature range	-5°C to 60°C (from -30°C to 150°C, on request)	-5°C to 60°C (from -30°C to 150°C, on request)
Pressure	5 bar (up to 25 bar, on request)	5 bar (up to 25 bar, on request)

Technical data

Miniature magnetic float switches



Electrical data

	Normally-closed contact / normally-open contact	Changeover contact /normally-closed contact/normally-open contact
Switching function	B	X
Contact ID letter		
Rated voltage (max.)	250 V AC/DC	100 V AC/DC
Rated current (max.)	0.5 A	0.3 A
Switching capacity (max.)	10 VA	3 VA

Mechanical data

Container connection options		
	Cable gland Pg 7	Cable gland Pg 7
	Cable gland R1/8"	Cable gland R1/8"
	Cable gland R3/8"	Cable gland R3/8"
	Cable gland R3/8" with plug	Cable gland R3/8" with plug

Materials switching tube		
	Stainless steel 1.4571	Stainless steel 1.4571
	PP	PP
	PVC	PVC
	MS 63	MS 63

Float variants				
	K1 / Cylinder floats	RD 25 x 20 mm (PP)	K1 / Cylinder floats	RD 25 x 20 mm (PP)
	K2 / Cylinder floats	RD 25 x 20 mm (PVC)	K2 / Cylinder floats	RD 25 x 20 mm (PVC)
	K3 / Cylinder floats	RD 20 x 20 mm (NBR)	K3 / Cylinder floats	RD 20 x 20 mm (NBR)
	K4 / Cylinder floats	RD 23 x 25 mm (NBR)	K4 / Cylinder floats	RD 23 x 25 mm (NBR)
	N1 / Ball floats	RD 30 mm (stainless steel)	N1 / Ball floats	RD 30 mm (stainless steel)

Ambient conditions

Protection type (DIN 40050)	IP 65 (up to IP 68, on request)	IP 65 (up to IP 68, on request)
Temperature range	-5°C to 60°C (from -30°C to 150°C, on request)	-5°C to 60°C (from -30°C to 150°C, on request)
Pressure	5 bar (up to 15 bar, on request)	5 bar (up to 15 bar, on request)

Technical data

Adjustable magnetic float switches



Electrical data

Contact ID letter	P	L
Switching module type	REEDK. KPL. F. MA	REEDK. KPL. F. MA
Part No.	491.0007.069	491.6007.075
Switching function	Normally-open contact / normally-closed contact (bi)	Changeover contact (bi)
Rated voltage (max.)	250 V AC/DC	250 V AC/DC
Rated current (max.)	5 A	1 A
Switching capacity (max.)	250 VA	60 VA

Mechanical data

Container connection options	Flange DN 50 (PVC / stainless steel)	Flange DN 50 (PVC / stainless steel)
	Flange DN 65 (PVC / stainless steel)	Flange DN 65 (PVC / stainless steel)
	Cable gland R1.5" (PVC / stainless steel)	Cable gland R1.5" (PVC / stainless steel)
	Cable gland R2" (PVC / stainless steel)	Cable gland R2" (PVC / stainless steel)
	Flange encl. RD 120 mm (with gush protect. possible)	Flange encl. RD 120 mm (with gush protect. possible)

Materials switching tube	Stainless steel 1.4571	Stainless steel 1.4571
	MS 63	MS 63
	PVC	PVC

Float variants	N / PCylinder floats RD 52 x 55 mm (stainless steel)	N / PCylinder floats RD 52 x 55 mm (stainless steel)
	V / D / L Cylinder floats RD 52 x 55 mm (PVC)	V / D / L Cylinder floats RD 52 x 55 mm (PVC)

Ambient conditions

Protection class (DIN 40050)	IP 65 (up to IP 68, on request)	IP 65 (up to IP 68, on request)
Temperature range	-5°C to 60°C (from -30°C to 150°C, on request)	-5°C to 60°C (from -30°C to 150°C, on request)
Pressure	5 bar (up to 15 bar, on request)	5 bar (up to 15 bar, on request)

Technical data

Chemical resistance of float and switching tube material at +20 °C

Chemical substance	Conc. in %	POM	PP	NBR	PVC	MS63	1.4571
Acetone	100	+	+	U	U	+	+
Aluminium sulphate	10	/	+	+	+	U	+
Aluminium chloride	10	/	+	+	+	U	+
Formic acid	85	+	+	U	+	U	+
Ammonia	10	+	+	U	O	U	+
Aniline	100	/	+	U	U	O	+
Ethyl acetate	100	O	O	U	U	+	+
Sulphuric ether	100	+	+	U	/	+	+
Ethylene chloride	100	/	U	U	U	/	+
Petrol	100	+	U	+	+	+	+
Benzene	100	+	U	O	U	+	+
Boracic acid	10	/	+	+	+	+	+
Butyl acetate	100	+	O	U	U	/	+
Calcium chloride	10	+	+	+	+	U	+
Chlorobenzene	100	+	+	U	U	/	+
Chlorine water	–	/	+	U	O	U	+
Chloroform	100	/	U	U	U	+	+
Chromic acid	10	O	+	U	+	U	+
Iron dichloride	10	O	+	+	+	U	U
Acetic acid	10	+	+	U	+	U	+
Acetic acid	80	O	+	U	+	U	+
Formaldehyde	20	+	+	+	+	O	+
Glycerine	90	+	+	+	+	+	+
Urea	10	/	+	+	+	/	+
Tincture of iodine	–	/	+	+	U	/	+
Potassium bichromate	5	/	+	O	+	U	+
Potassium nitrate	10	/	+	+	+	/	+
Potassium perman.	1	+	+	O	+	/	+
Bluestone	10	/	/	+	+	U	+
Magnesium chloride	10	/	+	+	+	U	+
Methylene chloride	100	U	U	U	O	/	+
Lactic acid	10	+	+	O	+	O	+
Mineral oil	100	+	+	+	+	+	+
Sodium bisulphite	10	/	+	U	O	U	+
Soda ash	10	+	+	+	+	O	+
Sodium chloride	10	+	+	+	+	O	+
Sodium sulphate	10	/	+	+	+	+	+
Oxalic acid	40	/	O	U	+	O	O
Phenolic aqueous	10	U	+	U	+	/	+
Phosphoric acid	10	+	+	O	+	U	+
Mercury	100	/	+	+	+	U	+
Mercuric chloride	5	/	+	+	O	U	+
Nitric acid	65	U	U	U	+	U	+
Nitric acid	10	U	O	U	+	U	+
Hydrochloric acid	10	U	+	U	+	U	U
Hydrochloric acid	2	U	+	U	+	U	U
Carbon disulphide	100	+	U	U	U	+	+
Sulphuric acid	10	+	+	+	+	U	+
Sulphuric acid	98	U	O	U	O	U	+
Hydrogen sulphide	2	/	+	+	+	O	+
Soap solution	1	+	+	+	+	+	+
Carbon tetrachloride	100	+	U	U	O	+	+
Trichloroethylene	100	O	O	U	U	O	+
Wine	–	/	+	+	+	O	+
Zinc chloride	10	/	+	+	+	U	+

+ = Resistant

The material remains fully resistant to the medium or is only minimally affected. The effect of pressure and temperature changes on the materials must be taken into account.

O = Resistant with limitations

The material is affected by the medium; sealing compounds well up. If concentration, pressure, temperature, durability and other influential factors are restricted, application may be possible.

U = Non-resistant

The material may not be used in the specified medium or at the given temperature, unless under very clearly defined preconditions.

/ = no data available

FAX

Order form and questionnaire for magnetic float switches

Standard tube diameter 12 mm

Page _____ from _____

Date: _____

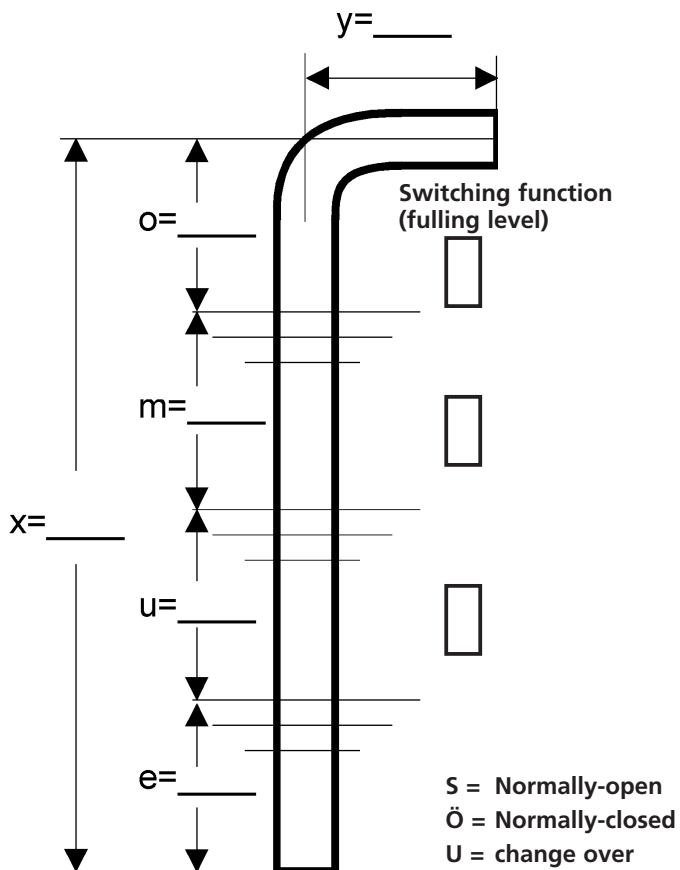
Address:

Bernstein AG
Tieloser Weg 6
D-32457 Porta Westfalica
Phone: +49-(0)5 71/7 93-0
Fax: +49-(0)5 71/7 93-5 55

Sender:

Company: _____
Customer No.: _____
Contact: _____
Department: _____
Street: _____
Town: _____
Phone: _____
Fax: _____

Type _____ Enquiry _____ pieces
Position 1 | 2 | 3 | 4 | 5 | 6 | 7 | 8 | 9 | 10 | 11 | 12 | 13 Order _____ pieces



Operational environment:
Pressure: _____ bar Temperature: _____ °C
Container dims.: _____ mm Medium: _____
Cable length: _____ m Separate contact type
Mounting options: from above
 from below
 lateral

Other comments:

