

# Photoelectric sensors OR05

- OR05 ES Through-beam sensors
- OR05 PS Polarised retroreflective sensors
- OR05 RT Diffuse reflective sensors
- OR05 LC Fibre optic controls



### 30 x 30 x 15 mm

**Through-beam sensors**  
12 m (39.4 ft)

### 30 x 30 x 15 mm

**Polarised retroreflective sensors**  
4 m (13.1 ft)

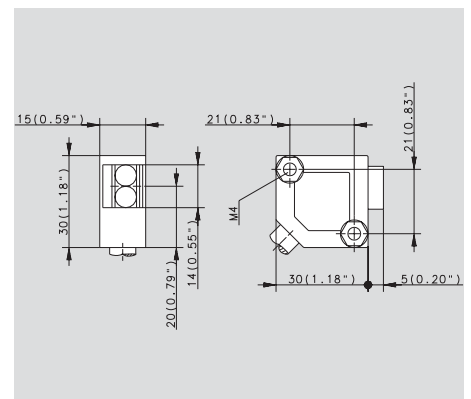
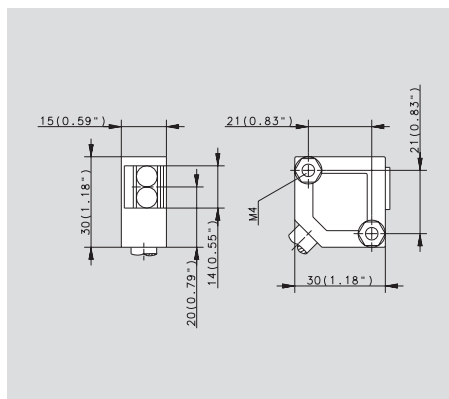
Sensing type	
Sensing distance / range	
Model description	
PNP	
LA	<b>Part number</b>
	Wiring diagram (page/Pos.)
Stock status: Ex stock/Built to order	
Model description	
PNP	
antivalent	<b>Part number</b>
	Wiring diagram (page/Pos.)
Stock status: Ex stock/Built to order	
Model description	
Transmitter	
(Connector)	<b>Part number</b>
	Wiring diagram (page/Pos.)
Stock status: Ex stock/Built to order	
Model description	
Transmitter	
(Cable)	<b>Part number</b>
	Wiring diagram (page/Pos.)
Stock status: Ex stock/Built to order	
Voltage range	
Short-circuit protection	
Output current	max.
Switching frequency	max.
LED for output function/supply voltage/diagnostic	
Adjustable sensitivity	
Timer function	
Diagnostic function	
Temperature range	min./max.
Protection type	
Screw-clamp termination	(page/Pos.)
Cable length (2 m)	Cross section (mm²)
Plug	(page/Pos.)
Accessories	(page/Pos.)

-	-	OR05 PS-DHTP-04.0-3LFE <b>655.5975.002</b> 271/6 ●/-
OR05 EE-DATP-12.0-3DE <b>655.1875.003</b> [ 2 ] 271/5 ●/-	OR05 EE-DATP-12.0-SDE <b>655.1875.004</b> [ 1 ] 271/5 ●/-	OR05 PS-DATP-04.0-3DE <b>655.5875.001</b> 271/5 ●/-
-	OR05 SE-DOOS-12.0-SC <b>655.1075.004</b> 271/3 ●/-	-
OR05 SE-DOOS-12.0-3C <b>655.1075.003</b> 271/3 ●/-	-	-
SE: 10-36 V DC	EE: 10-36 V DC	10-36 V DC
-	●	●
-	200 mA	200 mA
-	>1000 Hz	>1000 Hz
-/-/-	●/-/●	●/-/●
-	●	●
-	-	-
●	-	-
-25 °C/+70 °C -13 °F/+158 °F	-25 °C/+70 °C -13 °F/+158 °F	-25 °C/+70 °C -13 °F/+158 °F
IP 67/NEMA 4	IP 67/NEMA 4	IP 67/NEMA 4
-	-	-
3 m/4 x 0.14	-	3 m/4 x 0.14
-	281	-
273/1	273/1	273/1; 274

## Dimensions

All dimensions in mm (inch)

- [ 1 ] Connector
- [ 2 ] Cable



# Photoelectric sensors OR05

- OR05 ES Through-beam sensors
- OR05 PS Polarised retroreflective sensors
- OR05 RT Diffuse reflective sensors
- OR05 LC Fibre optic controls



**30 x 30 x 15 mm**

**30 x 30 x 15 mm**

<b>Sensing type</b>	
<b>Sensing distance / range</b>	
	Model description
PNP	
LA	<b>Part number</b>
	Wiring diagram (page/pos.)
Stock status: Ex stock/Built to order	
	Model description
PNP	
avalantent	<b>Part number</b>
	Wiring diagram (page/pos.)
Stock status: Ex stock/Built to order	

<b>Polarised retroreflective sensors</b>	
<b>4 m (13.1 ft)</b>	
	OR05 PS-DHTP-04.0-SLFE
	<b>655.5975.001</b>
	271/6
	●/–
	–

<b>Diffuse reflective sensors</b>	
<b>1.2 m (3.94 ft)</b>	
	OR05 RT-DHTP-01.2-3LFE
	<b>655.7975.004</b>
	271/6
	●/–
	OR05 RT-DATP-01.2-3DE
	<b>655.7875.003</b>
	271/5
	●/–

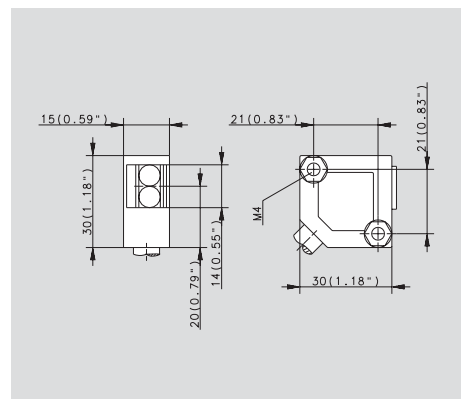
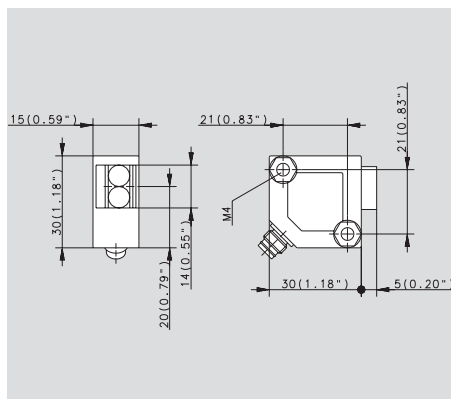
<b>Voltage range</b>	
<b>Short-circuit protection</b>	
Output current	max.
Switching frequency	max.
LED for output function/supply voltage/diagnostic	
Adjustable sensitivity	
Timer function	
Diagnostic function	
Temperature range	min./max.
<b>Protection type</b>	
Screw-clamp termination	(page/Pos.)
Cable length (2 m)	Cross section (mm <sup>2</sup> )
Plug	(page/Pos.)
Accessories (page/Pos.)	

10–36 V DC	
●	
200 mA	
>1000 Hz	
●/–/●	
●	
–	
–	
–25 °C/+70 °C	
–13 °F/+158 °F	
IP 67/NEMA 4	
–	
–	
281	
273/1, 274	

10–36 V DC	
●	
200 mA	
>1000 Hz	
●/–/●	
●	
–	
–	
–25 °C/+70 °C	
–13 °F/+158 °F	
IP 67/NEMA 4	
–	
3 m/4 x 0.14	
–	
273/1	

## Dimensions

All dimensions in mm (inch)





**30 x 30 x 15 mm**

**Diffuse reflective sensors**  
1.2 m (3.94 ft)

OR05 RT-DHTP-  
01.2-SLFE  
**655.7975.003**  
271/6

●/-

-



**30 x 30 x 15 mm**

**Fibre optic controls**  
depending on fibre type

OR05 LC-DHTP-  
0000-3LFE  
**655.2975.004**  
271/6

●/-

OR05 LC-DATP-  
0000-3DE  
**655.2875.002**  
271/5  
●/-



**30 x 30 x 15 mm**

**Fibre optic controls**  
depending on fibre type

OR05 LC-DHTP-  
0000-SLFE  
**655.2975.003**  
271/6

●/-

-

10-36 V DC

●  
200 mA  
>1000 Hz

●/-●

●

-

-25 °C/+70 °C  
-13 °F/+158 °F

IP 67/NEMA 4

-

281

273/1

10-36 V DC

●  
200 mA  
>250 Hz

●/-●

●

-

-25 °C/+70 °C  
-13 °F/+158 °F

IP 67/NEMA 4

-

3 m/4 x 0.14

-

275

10-36 V DC

●  
200 mA  
>250 Hz

●/-●

●

-

-25 °C/+70 °C  
-13 °F/+158 °F

IP 67/NEMA 4

-

281

275

