

Photoelectric sensors

OT12

OM12

OT12 RT Diffuse reflective sensors
OM12 RT Diffuse reflective sensors



M 12 x 61.5 mm

M 12 x 74.5 mm

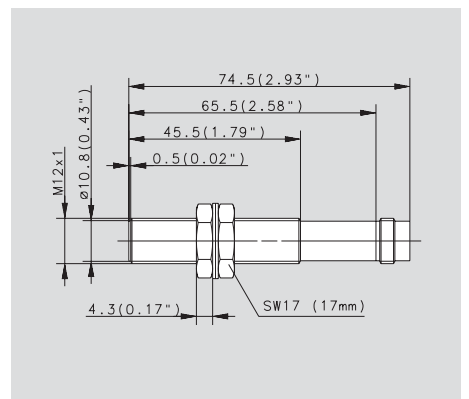
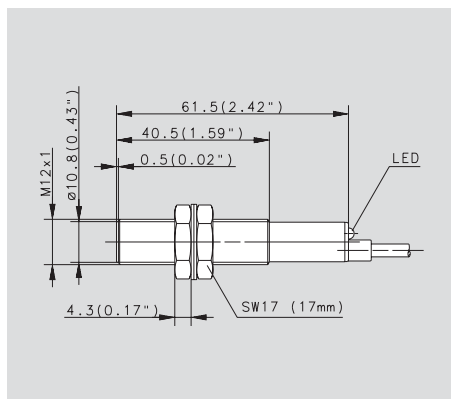
Sensing type	
Sensing distance / range	
	Model description
PNP	
LA	Part number
	Wiring diagram (page/pos.)
Stock status: Ex stock/Built to order	
	Model description
PNP	
DA	Part number
	Wiring diagram (page/pos.)
Stock status: Ex stock/Built to order	
	Model description
NPN	
DA	Part number
	Wiring diagram (page/pos.)
Stock status: Ex stock/Built to order	
	Model description
Transmitter	
	Part number
	Wiring diagram (page/pos.)
Stock status: Ex stock/Built to order	
Voltage range	
Short-circuit protection	
Output current	max.
Switching frequency	max.
LED for output function/supply voltage/diagnostic	
Adjustable sensitivity	
Timer function	
Diagnostic function	
Temperature range	min./max.
Protection type	
Screw-clamp termination	(page/Pos.)
Cable length (2 m)	Cross section (mm ²)
Plug	(page/Pos.)
Accessories	(page/Pos.)

Diffuse reflective sensors		Diffuse reflective sensors	
60 mm (2.36")	200 mm (7.87")	60 mm (2.36")	200 mm (7.87")
OT12 RT-DHTP-0060-CL	OT12 RT-DHTP-0200-CL	OT12 RT-DHTP-0060-S	OT12 RT-DHTP-0200-S
655.7930.002	655.7930.001	655.7929.002	655.7929.001
271/4	271/4	271/4	271/4
●/-	-/●	-/●	-/●
-	-	-	-
-	-	-	-
-	-	-	-
-	-	-	-
-	-	-	-
-	-	-	-
0 °C/+70 °C	0 °C/+70 °C	0 °C/+70 °C	0 °C/+70 °C
+32 °F/+158 °F	+32 °F/+158 °F	+32 °F/+158 °F	+32 °F/+158 °F
IP 67/NEMA 4	IP 67/NEMA 4	IP 67/NEMA 4	IP 67/NEMA 4
3 x 0.14	3 x 0.14	-	-
-	-	284/286; 285/3, 4	284/286; 285/3, 4
-	-	-	-

Dimensions

On request transmitter and receiver in a single packing unit (ES)

All dimensions in mm (inch)





M 12 x 66.5 mm

Diffuse reflective sensors

60 mm (2.36")

200 mm (7.87")

OM12 RT-DHTP-
0060-CL
655.7928.002

271/4

●/-

-

-

10-36 V DC

●

200 mA

>100 Hz

●/-/-

-

-

0 °C/+70 °C

+32 °F/+158 °F

IP 67/NEMA 4

3 x 0.14

-

-



M 12 x 74.5 mm

Diffuse reflective sensors

60 mm (2.36")

OM12 RT-DHTP-
0200-CL
655.7927.001

271/4

-/●

-

-

10-36 V DC

●

200 mA

>100 Hz

-/-/-

-

-

0 °C/+70 °C

+32 °F/+158 °F

IP 67/NEMA 4

3 x 0.14

284/286; 285/3, 4

-



M 12 x 76 mm

Diffuse reflective sensors

60 mm (2.36")

OM12 RT-DHTP-
0200-CLE
655.7928.003

271/4

-/●

-

-

10-36 V DC

●

200 mA

>250 Hz

●/-/-

●

-

0 °C/+70 °C

+32 °F/+158 °F

IP 65/NEMA 12

3 x 0.14

-

-

