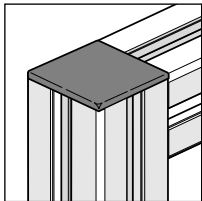
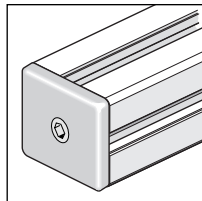


Section 9—Caps and Finishing Elements

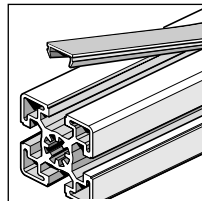
The wide variety of caps, end pieces, and T-slot covers help you add safety, as well as a clean, finished appearance to your aluminum framing structure. You can create your own design and style by combining different colors of end caps and T-slot covers and, at the same time, add safety by covering the open ends of profiles and enclosing cables that run along the T-slots.



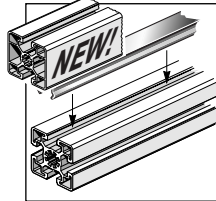
End Caps and Access Hole Covers for Structural Profiles 9-2 to 9-4



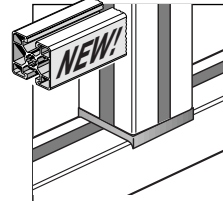
Heavy-Duty End Caps 9-5



T-Slot Covers 9-6



Aluminum T-Slot Covers 9-7



Radius Compensator 9-8

End Caps for Structural Profiles

6, 8, 10

End caps give your structure a clean, finished appearance. Caps are available in various colors and with conductive material for ESD protection.

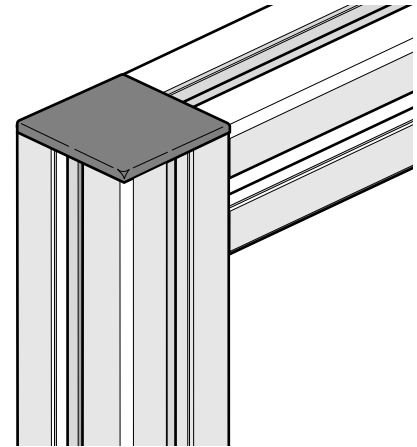
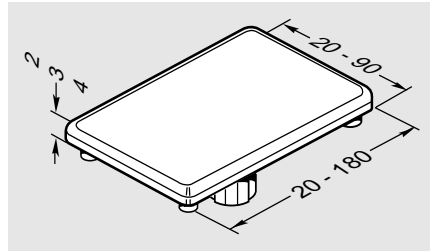
Features:

Easy installation, no tools required



Material:

Standard version: polyamide 6

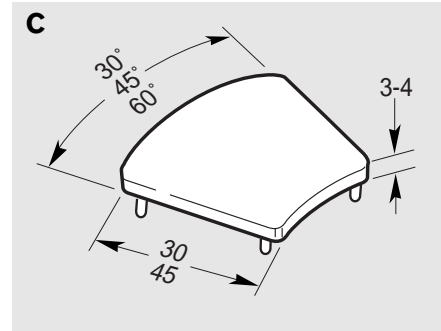
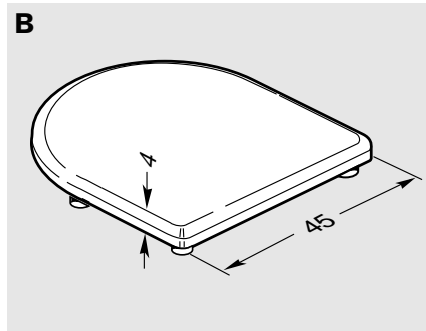
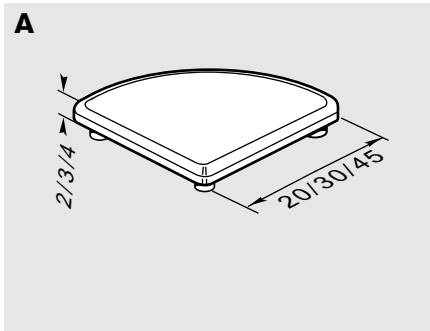
Conductive version: polyamide 12



Square/Rectangular End Caps

Profile used with	Thickness (mm)	Color	Conductive 	Part Number, One
20x20	2	Black		3 842 517 243
20x60	2	Black		3 842 523 354
30x30	3	Black		3 842 501 232
30x30	3	Light Gray		3 842 516 506
30x30	3	Yellow		3 842 517 203
30x30	3	Red		3 842 517 204
30x30	3	Black		3 842 517 057
11x20	3	Black		3 842 513 584
11x30	3	Black		3 842 513 589
30x45	3	Black		3 842 511 416
45x45, 45x45H	4	Black		3 842 502 674
45x45, 45x45H	4	Light Gray		3 842 517 059
45x45, 45x45H	4	Yellow		3 842 517 205
45x45, 45x45H	4	Red		3 842 517 206
45x45, 45x45H	4	Black		3 842 517 058
60x60, 60x60H	4	Black		3 842 511 874
90x90	4	Black		3 842 516 214
90x90H	4	Black		3 842 242 400
15x22.5	3	Black		3 842 513 579
22.5x45	4	Black		3 842 501 577
22.5x180	4	Black		3 842 503 844
45x60H	4	Light Gray		3 842 517 854
45x60H	4	Yellow		3 842 517 856
45x60H	4	Red		3 842 517 857

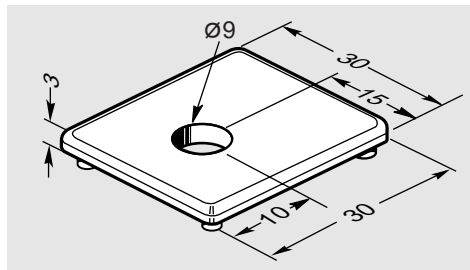
Profile used with	Thickness (mm)	Color	Conductive	Part Number, One
45x60H	4	Black		3 842 515 122
45x60H	4	Black		3 842 517 855
45x90, 45x90H	4	Black		3 842 511 783
45x180H	4	Black		3 842 503 845
60x90H	4	Black		3 842 510 293



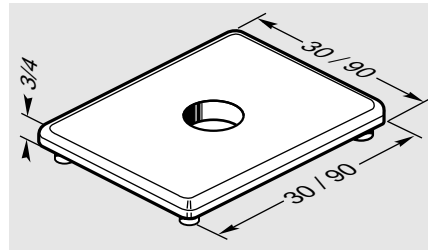
Radius Corner End Caps

Profile used with	Thickness (mm)	Color	Drawing	Part Number, One
20x20R	2	Black	A	3 842 517 247
30x30R	3	Black	A	3 842 517 248
45x45R	4	Black	A	3 842 517 250
45x45HR	4	Black	B	3 842 521 265
30x30°R	3	Black	C	3 842 524 050
30x45°R	3	Black	C	3 842 524 051
30x60°R	3	Black	C	3 842 524 052
45x30°R	4	Black	C	3 842 524 053
45x45°R	4	Black	C	3 842 524 054
45x60°R	4	Black	C	3 842 524 055

continued on next page

**EcoSafe End Caps**

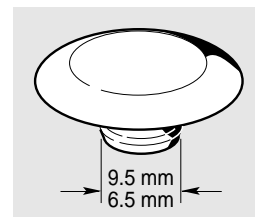
Profile used with	Thickness (mm)	Color	Part Number, One
30x30 WG30 & WG40	3	Black	3 842 522 345

**Leveling Feet End Caps**

Profile used with	Thickness (mm)	Color	Part Number, One
30x30 end cap with hole	3	Black	3 842 503 143
30x45 end cap with hole	3	Black	3 842 511 419
45x45 end cap with hole	4	Black	3 842 502 200
60x60 end cap with hole	4	Black	3 842 511 876
90x90 end cap with hole	4	Black	3 842 514 664
45x60 end cap with hole	4	Black	3 842 191 094
45x90 end cap with hole	4	Black	3 842 511 855
60x90 end cap with hole	4	Black	3 842 514 663

Access Hole Covers

Description	Color	Part Number, One
6.5mm access hole cover	Black	8 981 005 305
9.5mm access hole cover	Black	8 981 005 306



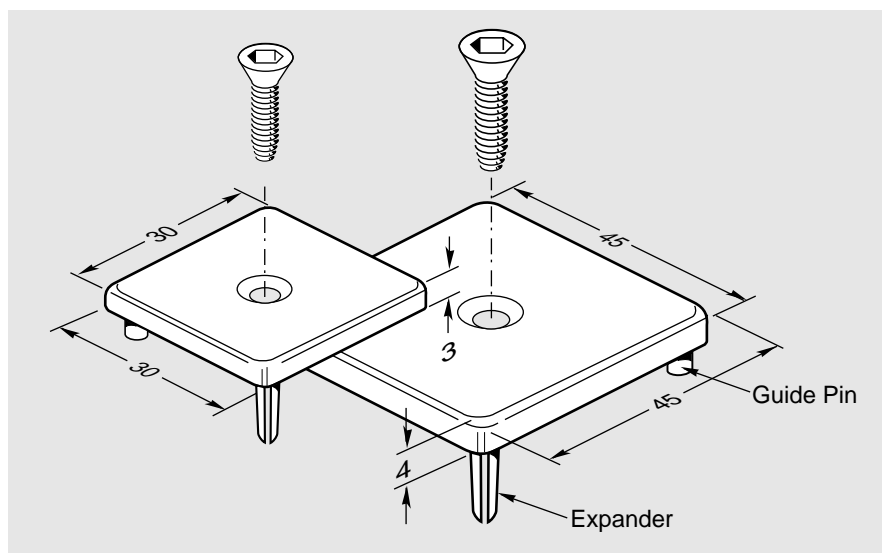
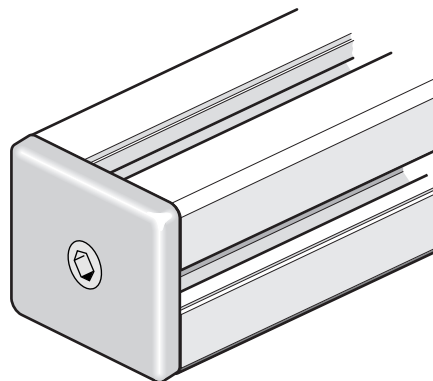
Heavy-Duty End Caps

8, 10

Heavy-duty end caps are shock-proof and resistant to aggressive usage. Guide pin helps align cap. Expander securely locks end cap in place as self-tapping screw is inserted. Self-tapping screw included.

Material:

- End Cap: die-cast zinc
- Screw: zinc-plated steel



Description

Part Number

30x30 heavy-duty end cap, 3mm thick, one

3 842 518 204

45x45 heavy-duty end cap, 4mm thick, one

3 842 518 205

T-Slot Covers

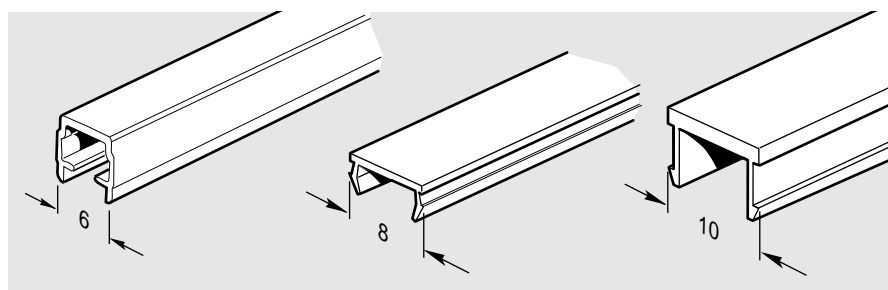
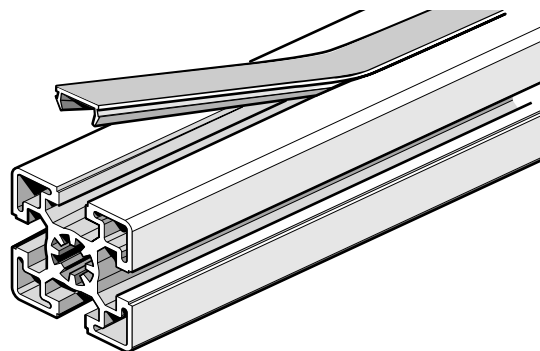
6 8 10

T-slot covers for 20-, 30-, 45-, 60-, and 90-series profiles give your construction a clean and finished appearance, and are available in various colors. In addition, they hold in cables and prevent the collection of dirt and debris in the T-slot.

Length: 2000mm

Material:

- Rigid PVC

**Description****Part Number, One**

6mm 6

Black

3 842 518 343

8mm 8

Black

3 842 501 962

Opaque

3 842 503 073

Light Gray

3 842 518 375

Red

3 842 518 376

Yellow

3 842 518 377

10mm 10

Black

3 842 146 901

Clear

3 842 191 182

Light Gray

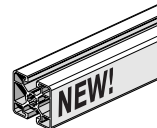
3 842 518 367

Red

3 842 518 368

Yellow

3 842 518 369



Aluminum T-Slot Cover

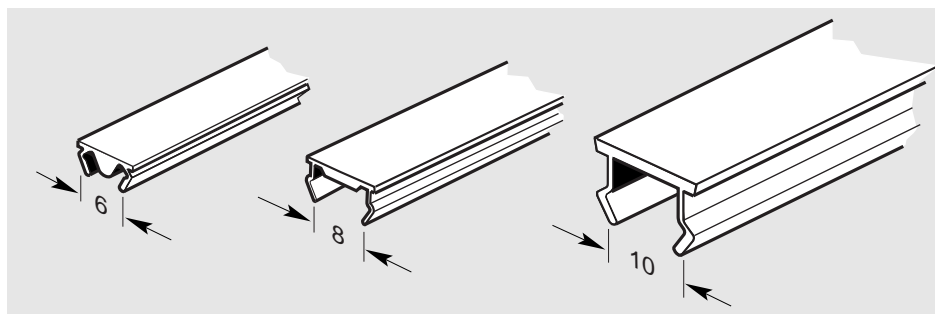
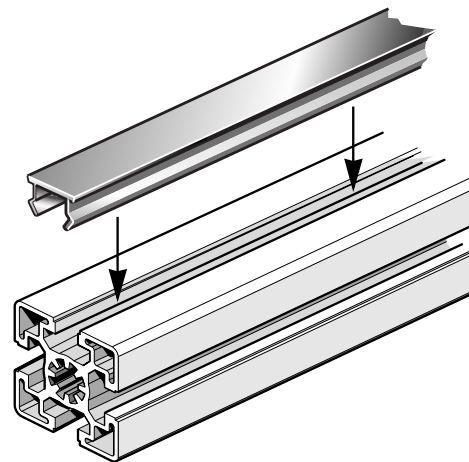
6 8 10

Aluminum cover strip matches profile. Provides a finished look to all profiles and can be used to secure cables and protect the T-slot against the accumulation of dirt and dust. Also perfect for clean room applications.

Length: 2000mm.

Material:

- Natural anodized aluminum



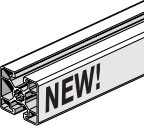
Description

Part Number, One

6mm Aluminum T-slot cover, 2000mm long, one **3 842 523 254**

8mm Aluminum T-slot cover, 2000mm long, one **3 842 523 256**

10mm Aluminum T-slot cover, 2000mm long, one **3 842 523 258**



Radius Compensator



8, 10

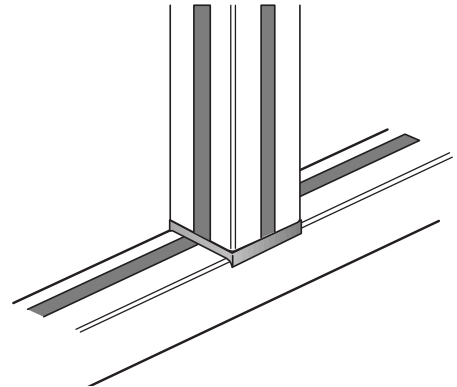
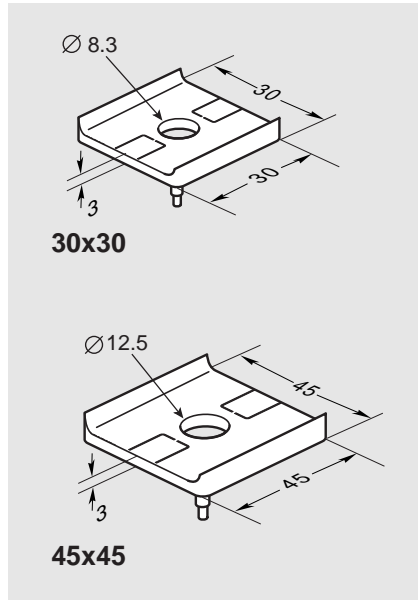
The radius compensator eliminates the small spaces and edges that are inherent in T-junctions using extruded profiles. It is ideal for use in clean rooms or any situation where a smooth surface is absolutely necessary.

Features:

- Easy to keep clean

Material:

- Light gray polyamide 6



Description

Part Number

Radius compensator, 30x30, one

3 842 524 415

Radius compensator, 45x45, one

3 842 524 414

Helpful Hint

