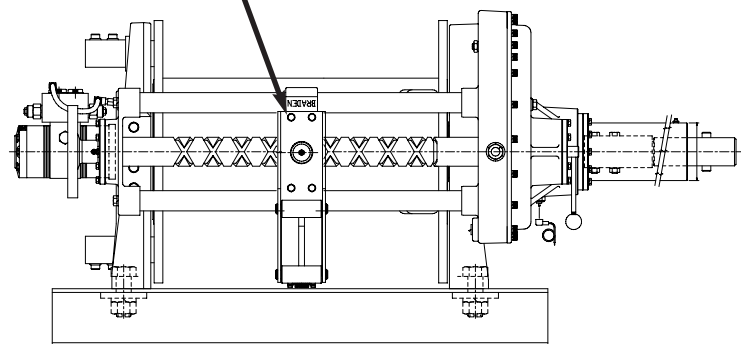


ADDITIONAL FEATURES

UNDERWIND

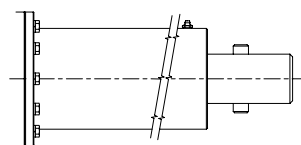
Spring Loaded Tension Roller is easily modified to underwind position.



EXTENSION SHAFT LENGTHS

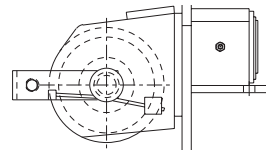
Model Code	Length (in.)
-46	46" or 48"
-47	47" or 49"
-50	50" or 52"
-00	None

Rating - 4,000 LBS



Designed for truck body widths 92" to 104"

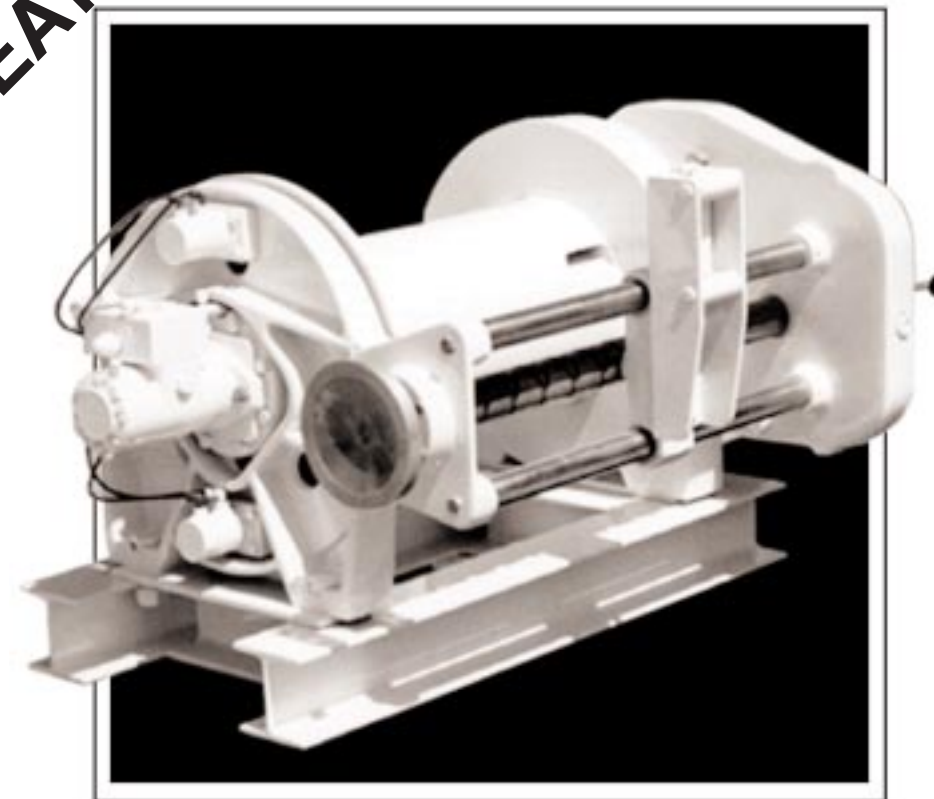
OPTIONAL 360° LINE SWIVEL



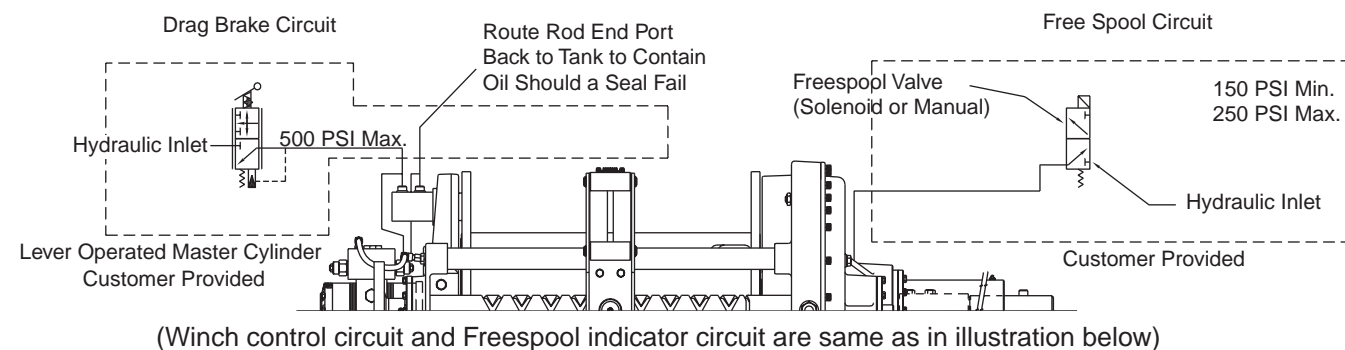
BRADEN

Model BP200B

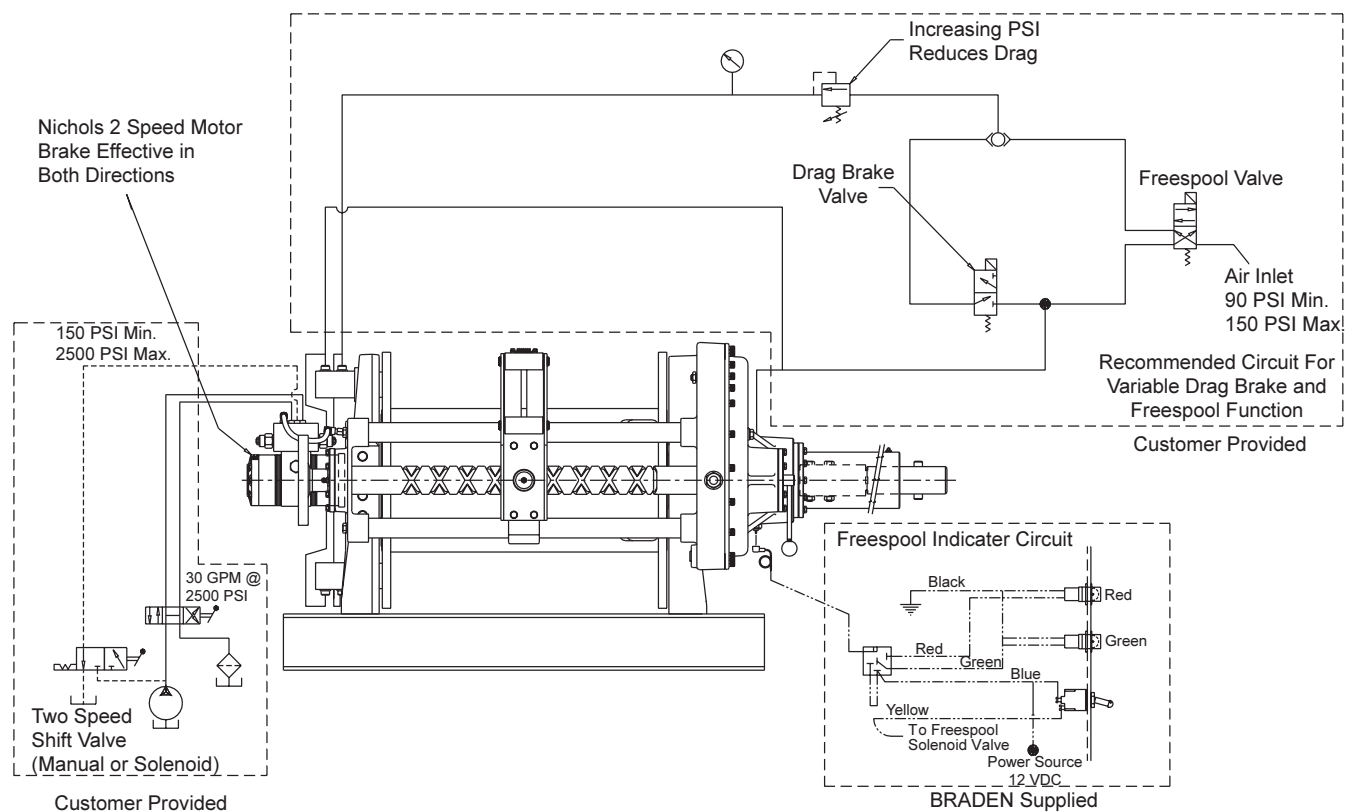
NEW FEATURES



HYDRAULIC CONTROLS



AIR OPERATED CONTROLS



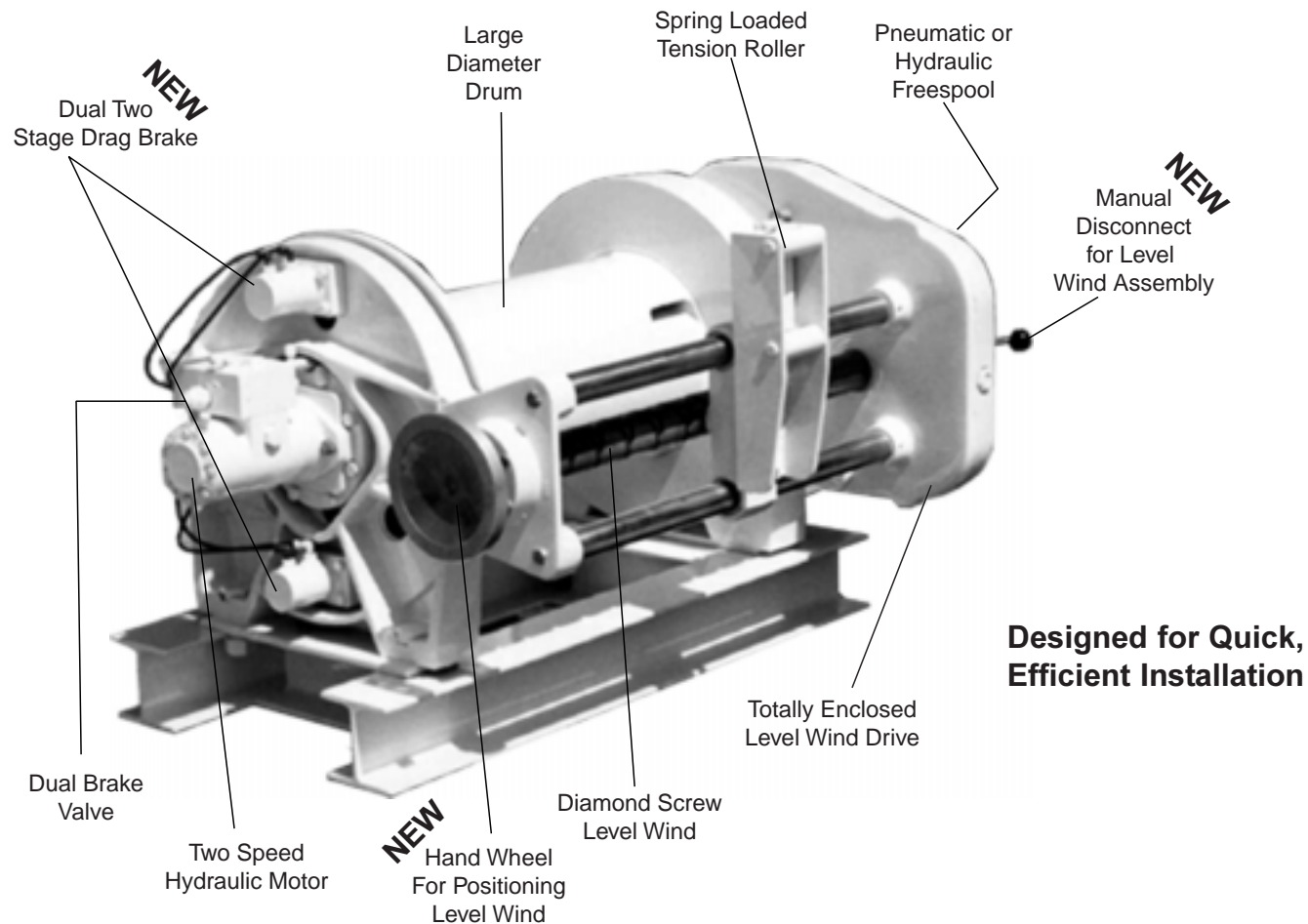
**Continuous Duty Planetary
Underground Cable Pulling Winch**
First Layer Line Pull Up to 20,000 LBS.

Rated in Compliance with SAE J706

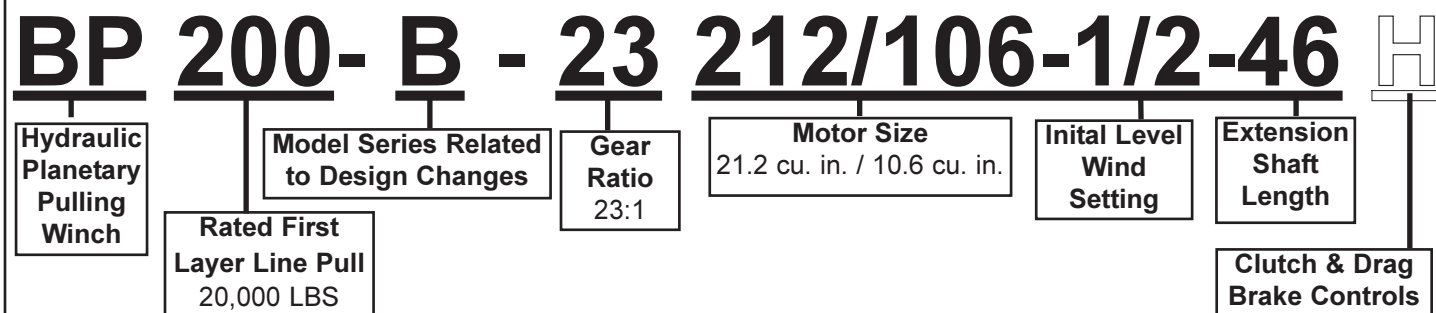
What you expect of a BRADEN

FEATURES

The overall design and features incorporated into the BP200B have been driven by the utility industry requirements, which include: continuous duty, large wire rope capacity, high efficiency, adjustable freespool, adjustable positive level wind, simple, compact and low maintenance design. The BP200B exceeds all these requirements and more.



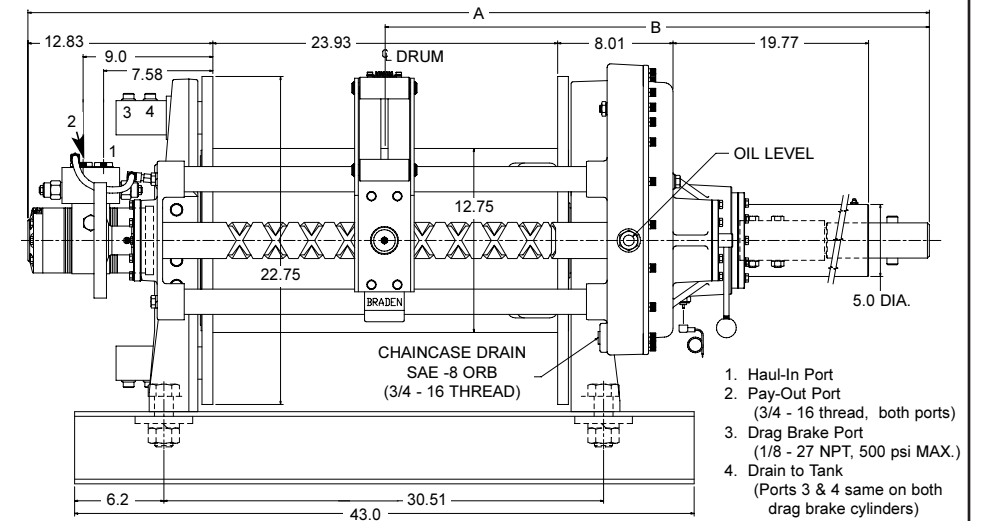
MODEL NUMBER EXPLANATION



CABLE CAPACITY

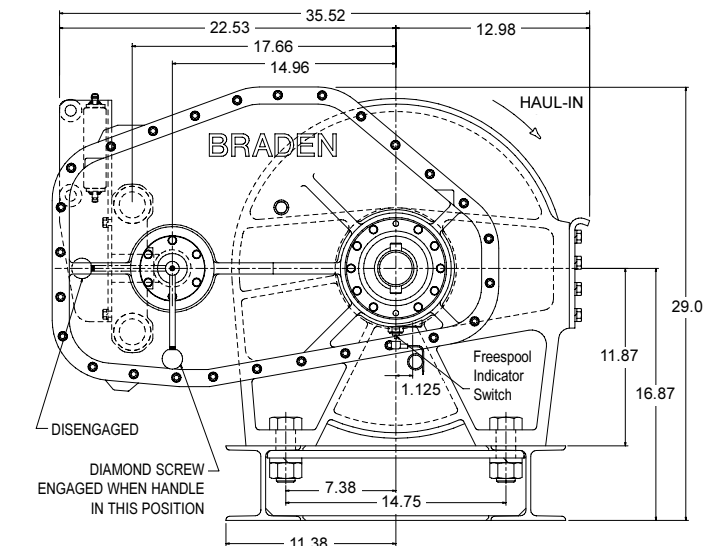
Size (in)	Capacity (FT.)
7/16	2,769
1/2	2,226
9/16	1,537
Size (mm)	Capacity (M)
11	844.0
14	678.5
14	468.5

DIMENSIONAL DATA



PERFORMANCE DATA

Notes: 2 speed motor displacement is 21.2/10.6 cu. in. (347/173 cm³)
 Performance is based on 2,500 psi (175 kg/cm²) at 30 gpm (114 l/min) and 9/16 in. wire rope.
 Consult the factory for performance using 7/16 or 1/2 inch wire rope.
 Wire rope capacities are theoretical; for SAE rated capacities use 90% of values shown.
 Rated line pulls are for the winch only. Consult the wire rope manufacturer for wire rope ratings.



LAYER	LOW SPEED				HIGH SPEED				9/16 IN. ROPE CAPACITY	
	LINE PULL (LBS)	(kN)	LINE SPEED (FPM)	(MPM)	LINE PULL (LBS)	(kN)	LINE SPEED (FPM)	(MPM)	(FT)	(m)
1	20,000	89.0	44	13.4	9,860	43.9	88	26.8	148	45.1
2	18,440	82.0	48	14.6	9,090	40.4	96	29.3	309	94.2
3	17,110	76.1	52	15.8	8,440	37.5	104	31.7	482	146.9
4	15,960	71.0	55	16.8	7,870	35.0	111	33.8	668	203.6
5	14,950	66.5	59	18.0	7,370	32.8	119	36.3	866	264.0
6	14,060	62.5	63	19.2	6,930	30.8	126	38.4	1,077	328.3
7	13,270	59.0	67	20.4	6,540	29.1	134	40.8	1,301	396.5
8	12,570	55.9	70	21.3	6,200	27.6	141	43.0	1,537	468.5

Quality For More Than 75 Years