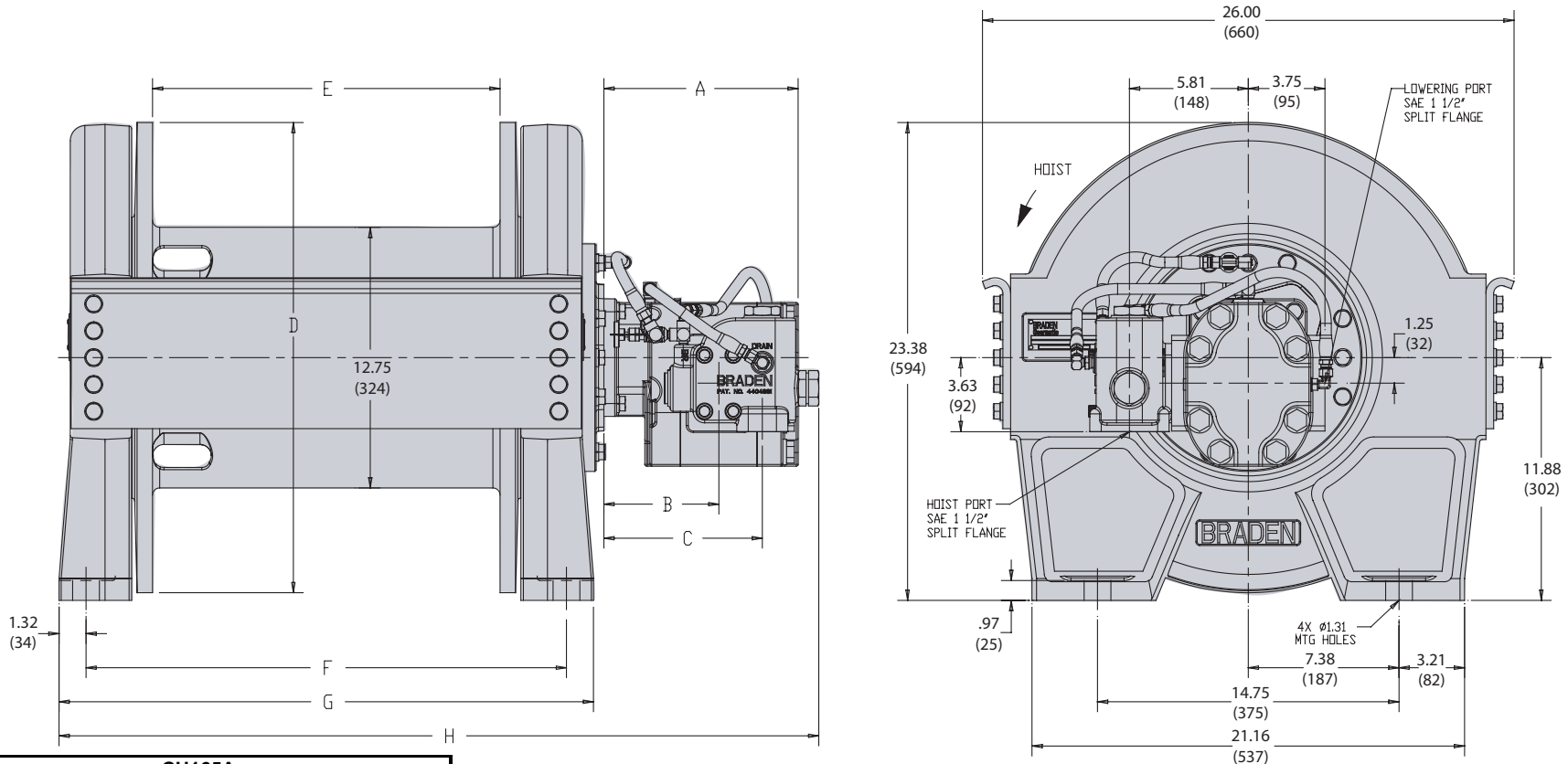


CH165A

16,500 LB First Layer Line Pull



DIMENSIONAL INFORMATION



CH165A						
	01 Drum		02 Drum			
	110 Motor	120 Motor	110 Motor	120 Motor	090 Motor	090 Motor
	in.	mm	in.	mm	in.	mm
A	9.50	241	9.75	248	9.00	229
B	5.63	143	5.75	146	5.38	137
C	7.75	197	7.88	200	7.50	191
D	23.00	584	23.00	584	22.75	578
E	17.00	432	17.00	432	32.00	813
F	23.50	597	23.50	597	38.50	978
G	26.14	664	26.14	664	41.14	1,050
H	37.16	944	37.29	947	51.91	1,320

HOIST FEATURES

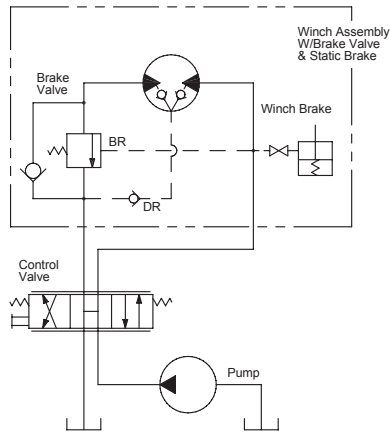
- Gearing is designed for improved service life at higher input RPM and torque
- Brake design increases overrunning clutch capacity & oil flow to the brake
- SAE "C" motor mount
- Improved serviceability

PACCAR WINCH DIVISION
P.O. Box 547 Broken Arrow, Oklahoma 74013
PHONE: (918) 251-8511 FAX: (918) 259-1575
www.paccarwinch.com

PERFORMANCE INFORMATION

ROPE SIZE (IN)	LAYER	110 MOTOR - 01 DRUM 11.03 CU. IN. DISP. - 3000 PSI @ 155 GPM (181 CC DISP. - 206 BAR @ 587 LPM)				120 MOTOR - 01 DRUM 12.03 CU. IN. DISP. - 2980 PSI @ 170 GPM (197 CC DISP. - 205 BAR @ 643 LPM)				090 MOTOR - 02 DRUM 9.02 CU. IN. DISP. - 3000 PSI @ 125 GPM (148 CC DISP. - 206 BAR @ 473 LPM)				01 DRUM		02 DRUM	
		LINE PULL		LINE SPEED		LINE PULL		LINE SPEED		LINE PULL		LINE SPEED		ROPE CAPACITY		ROPE CAPACITY	
		(LBS)	(KG)	(FPM)	(MPM)	(LBS)	(KG)	(FPM)	(MPM)	(LBS)	(KG)	(FPM)	(MPM)	(FT)	(M)	(FT)	(M)
3/4	1	15,060	6,845	429	131	16,500	7,500	434	131	11,970	5,441	416	127	80	24	150	46
	2	13,550	6,159	477	145	14,850	6,750	482	147	10,770	4,895	462	141	169	52	317	97
	3	12,320	5,600	524	160	13,500	6,136	530	162	9,790	4,450	508	155	266	81	501	153
	4	11,290	5,132	572	174	12,370	5,623	579	176	8,980	4,082	555	169	372	113	702	214
	5	10,420	4,736	620	189	11,420	5,191	627	191	8,290	3,768	601	183	487	148	919	280
	6	9,680	4,400	667	203	10,610	4,823	675	206	7,700	3,500	647	197	611	186	1,153	351

HYDRAULIC CIRCUIT



WINCH CONTROL CIRCUIT
API PLUMBING (W/O R & P)

OPTIONS

Consult the factory for high pressure piston motors and available ratios.

NOTES

Specifications are subject to change without notification and without incurring obligation.

Pressure and flow shown are the maximum allowable for the particular combination of winch, ratio, motor and drum.

Specifications in this publication are theoretical and may vary depending on hydraulic system, environment, etc.

Line pulls are maximum ratings for the winch only. Wire rope ratings may be lower than the winch rating. Consult the wire rope manufacturer for ratings.

MINIMUM FLOW RECOMMENDATION FOR SMOOTH OPERATION

(RECOMMENDED MINIMUM SYSTEM FLOW SHOULD BE 2X THESE VALUES)

MOTOR	GPM	LPM
090	24	91
110	27	102
120	28	106

⚠ WARNING ⚠

A minimum of 5 wraps of wire rope must be left on the drum to prevent the load from being supported by the wire rope anchor alone. Since the wire rope anchor is not designed to hold the rated load, failure to leave 5 wraps of wire rope on the drum could cause the load to drop, which could result in property damage, injury or death.