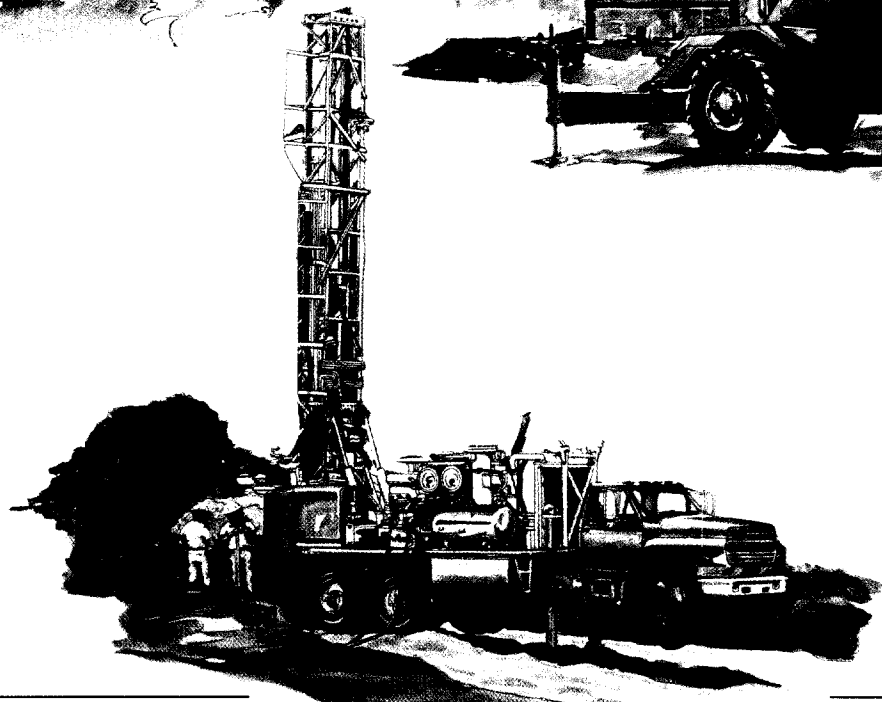
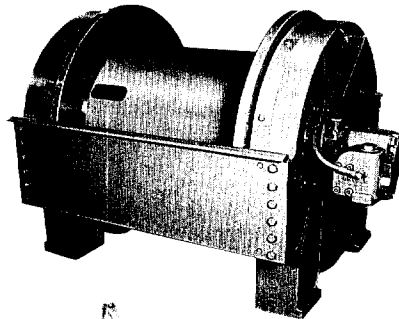


BRADEN WINCH

CH330 SERIES

PLANETARY WINCH

UP TO 33,000 POUND CAPACITY

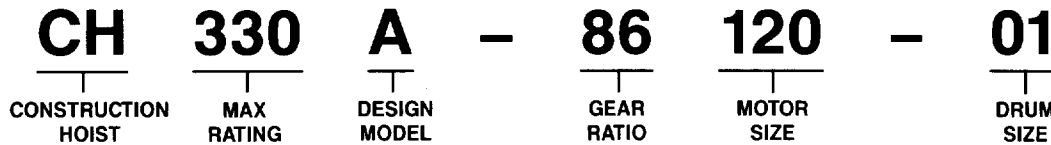


CH330 FEATURES

The CH330 Series planetary winch is a high performance product designed to provide many years of service. The CH330 is powered by a high efficiency gear motor designed specifically for winch applications to provide smooth operation. The motor torque is then transmitted and multiplied by the highly efficient computer-aided designed gear train to the winch drum. All rotating components are supported by anti-friction bearings to minimize any frictional losses. Load control when lowering is maintained by the patented Braden Brake Valve known for its smooth performance. The Braden Brake Valve not only provides smooth load control but also adapts well to most any hydraulic system. The Braden Brake Valve is also backed up by an internal automatic multi-disc spring applied hydraulically released safety break. An over-running clutch permits free rotation through the brake in the hoisting direction but immediately locks up when the hoisting operation is complete. The load is held firm, even if the engine dies or a hydraulic line breaks.

Since 1924 Braden's on-going product development programs have led the industry with innovative, quality products serving a wide range of markets. Braden also supports their products with a comprehensive warranty.

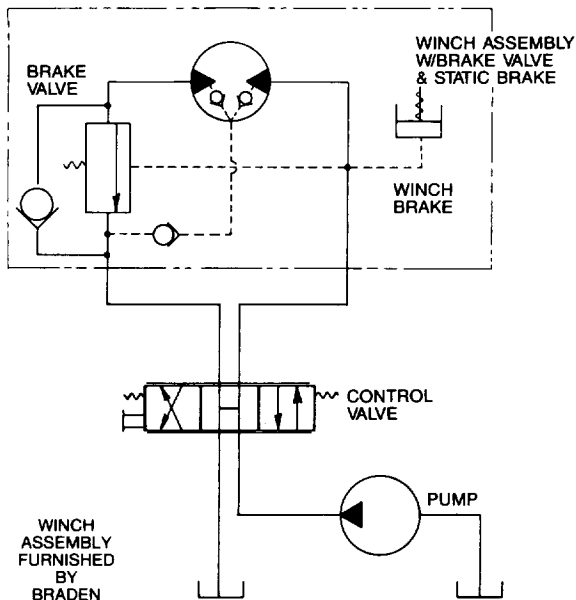
EXPLANATION OF MODEL NUMBER



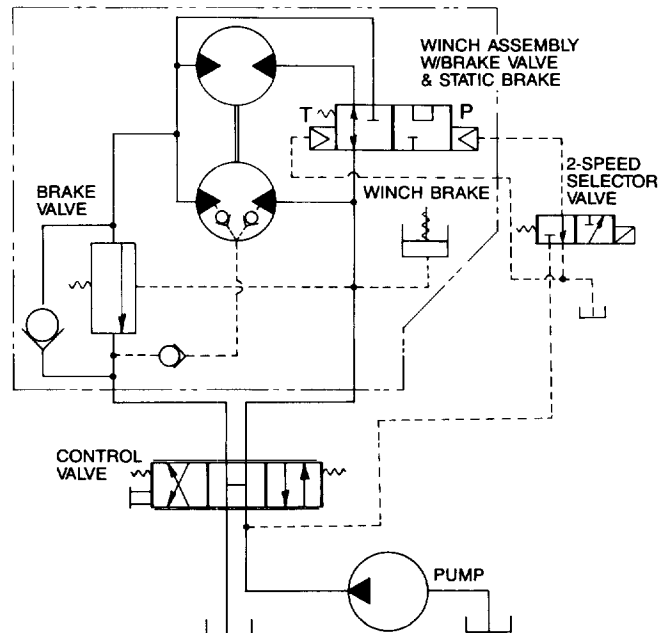
- CH** DESIGNATES CONSTRUCTION HOIST (C2H DESIGNATES TWO SPEED).
- 330** DESIGNATES 33,000 LB FIRST LAYER LINE PULL
- A** DESIGNATES THE MODEL SERIES RELATING TO DESIGN CHANGES
- 86** DESIGNATES TOTAL GEAR REDUCTION
- 120** DESIGNATES HYDRAULIC MOTOR DISPLACEMENT IN CU IN/REV (DECIMAL POINT ELIMINATED).
(EXAMPLE 120 = 12.0 CU IN/REV)
- 01** DESIGNATES THE DRUM OPTION

HYDRAULIC CIRCUITS

SINGLE SPEED CIRCUIT



2 SPEED CIRCUIT



PERFORMANCE DATA

01 DRUM (20 IN. BARREL DIAMETER)

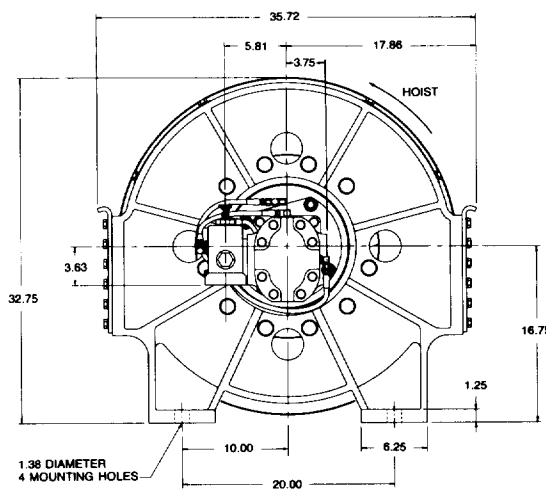
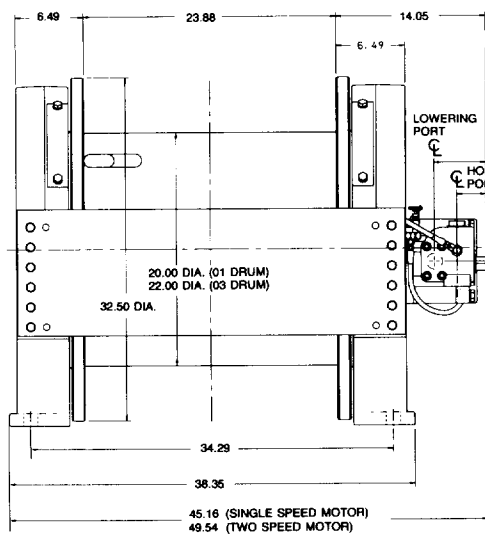
WIRE ROPE SIZE	LAYER	86:1 GEAR RATIO						69.3:1 GEAR RATIO						WIRE ROPE CAP. (FT.)
		SINGLE SPEED MOTOR 120 MOTOR 12.03 CU. IN. DISP. 2800 PSI @ 170 GPM		TWO SPEED MOTOR 127 MOTOR 12.75 CU. IN. DISP. 2750 PSI @ 85 GPM				SINGLE SPEED MOTOR 120 MOTOR 12.03 CU. IN. DISP. 3000 PSI @ 170 GPM		TWO SPEED MOTOR 127 MOTOR 12.75 CU. IN. DISP. 3000 PSI @ 85 GPM				
		LINE PULL (LBS.)	LINE SPEED (FPM)	LINE PULL (LBS.)		LINE SPEED (FPM)		LINE PULL (LBS.)	LINE SPEED (FPM)	LINE PULL (LBS.)		LINE SPEED (FPM)		
				LOW	HIGH	LOW	HIGH			LOW	HIGH	LOW	HIGH	
1"	1	33,000	191	33,000	15,100	88	177	28,400	238	29,000	13,400	109	219	131
	2	30,130	210	30,130	13,790	97	194	25,940	260	26,490	12,240	120	240	274
	3	27,720	228	27,720	12,680	105	210	23,860	283	24,370	11,260	130	261	430
	4	25,670	246	25,670	11,740	113	227	22,090	306	22,560	10,420	141	282	598
	5	23,900	265	23,900	10,930	122	244	20,570	329	21,010	9,700	151	303	779
	6*	22,360	283	22,360	10,230	130	261	19,240	351	19,650	9,080	162	324	972
1 1/8"	1	33,000	193	33,000	15,100	89	178	28,400	239	29,000	13,400	110	221	117
	2	29,830	213	29,830	13,650	98	197	25,670	265	26,210	12,110	122	244	246
	3	27,210	234	27,210	12,450	108	216	23,420	290	23,910	11,050	134	268	388
	4	25,010	254	25,010	11,440	117	235	21,530	316	21,980	10,160	145	291	542
	5	23,150	275	23,150	10,590	127	254	19,920	341	20,340	9,400	157	315	709

03 DRUM (22 IN. BARREL DIAMETER)

WIRE ROPE SIZE	LAYER	86:1 GEAR RATIO						69.3:1 GEAR RATIO						WIRE ROPE CAP. (FT.)
		SINGLE SPEED MOTOR 120 MOTOR 12.03 CU. IN. DISP. 3000 PSI @ 170 GPM		TWO SPEED MOTOR 127 MOTOR 12.75 CU. IN. DISP. 3000 PSI @ 85 GPM				SINGLE SPEED MOTOR 120 MOTOR 12.03 CU. IN. DISP. 3000 PSI @ 170 GPM		TWO SPEED MOTOR 127 MOTOR 12.75 CU. IN. DISP. 3000 PSI @ 85 GPM				
		LINE PULL (LBS.)	LINE SPEED (FPM)	LINE PULL (LBS.)		LINE SPEED (FPM)		LINE PULL (LBS.)	LINE SPEED (FPM)	LINE PULL (LBS.)		LINE SPEED (FPM)		
				LOW	HIGH	LOW	HIGH			LOW	HIGH	LOW	HIGH	
1"	1	32,200	210	33,000	15,000	97	194	26,140	260	27,000	12,100	120	240	143
	2	29,630	228	30,360	13,800	105	210	24,050	283	24,840	11,130	130	261	299
	3	27,440	246	28,110	12,780	113	227	22,260	306	23,000	10,310	141	282	467
	4	25,540	265	26,180	11,900	122	244	20,730	329	21,410	9,600	151	303	648
	5*	23,900	283	24,490	11,130	130	261	19,390	351	20,030	8,980	162	324	841
1 1/8"	1	32,200	211	33,000	15,000	97	195	26,000	262	27,000	12,100	121	242	128
	2	29,350	231	30,080	13,670	107	214	23,700	287	24,610	11,030	132	265	269
	3	26,960	252	27,630	12,560	116	233	21,770	313	22,610	10,130	144	289	422
	4	24,930	273	25,550	11,610	126	252	20,130	338	20,910	9,370	156	312	588

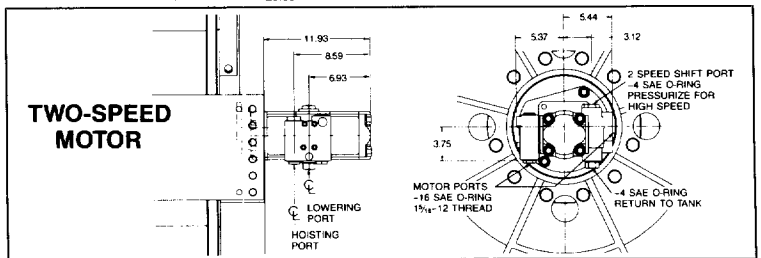
* This layer does not comply with ANSI spec 5-132a2c.

DIMENSIONAL DATA



WEIGHT WITH
03 DRUM -
2,810 LBS.

HOISTING AND LOWERING
PORTS ARE SAE 1 1/2 IN. 4 BOLT
SPLIT FLANGE

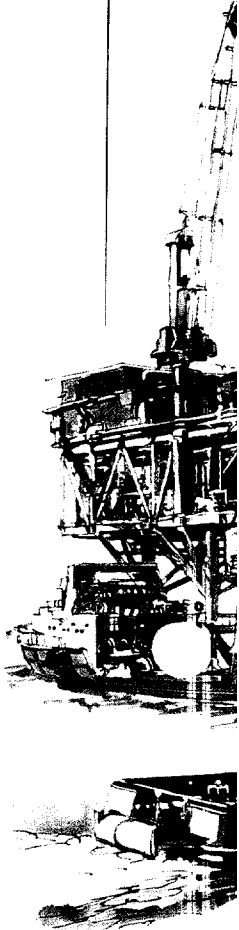
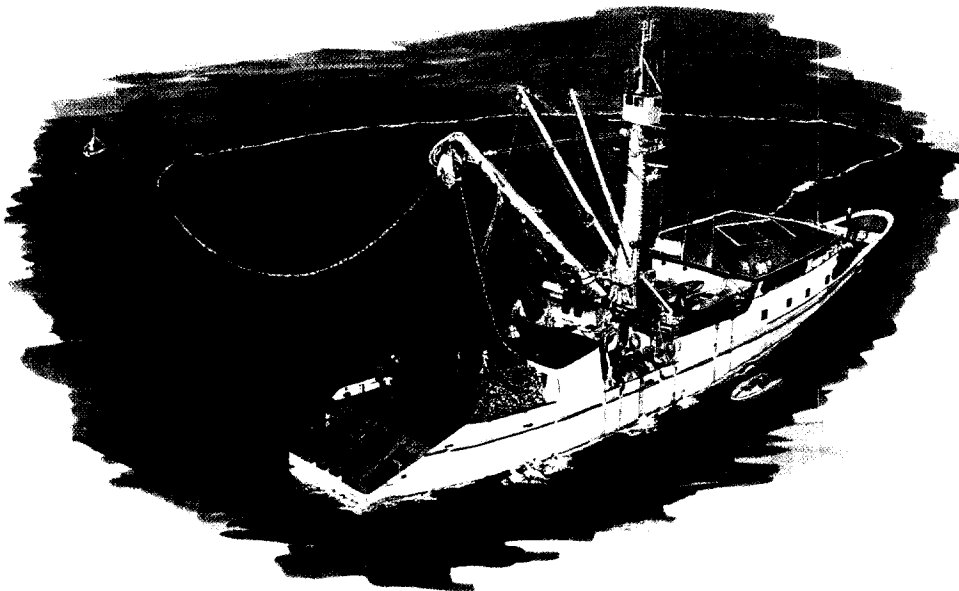
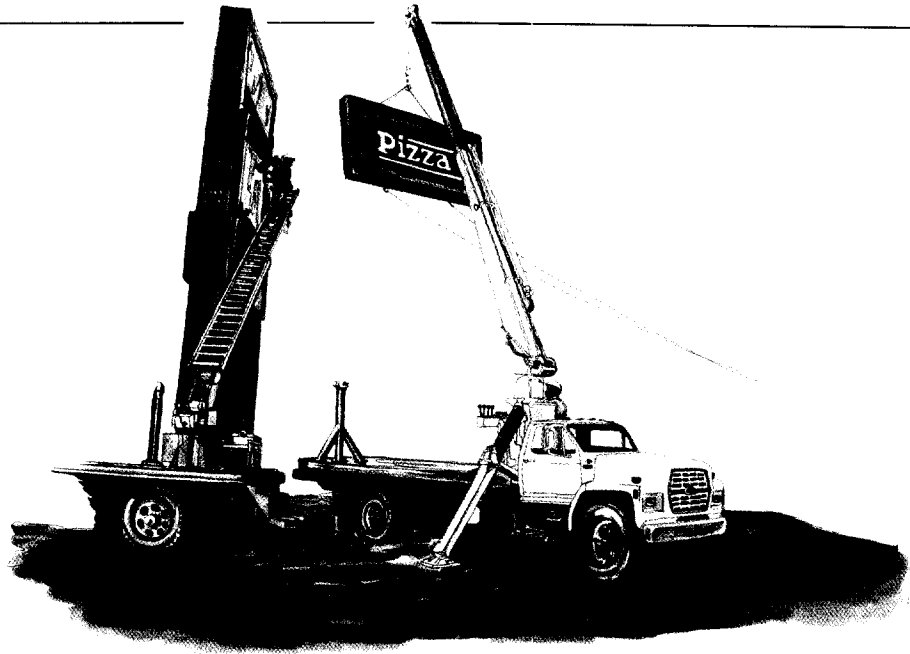


Long drum version
also available. Contact
Braden Sales Department
for details.

MOTOR GPM RECOMMENDATION
FOR SMOOTH OPERATION*

MOTOR 120 - 28 GPM
MOTOR 127 - 24 GPM

*RECOMMENDED MINIMUM SYSTEM
FLOW SHOULD BE 2X THESE VALUES



PACCAR WINCH DIVISIONS

P.O. BOX 547 • BROKEN ARROW, OK 74013
PHONE: (918) 251-8511 • FAX: (918) 258-4822