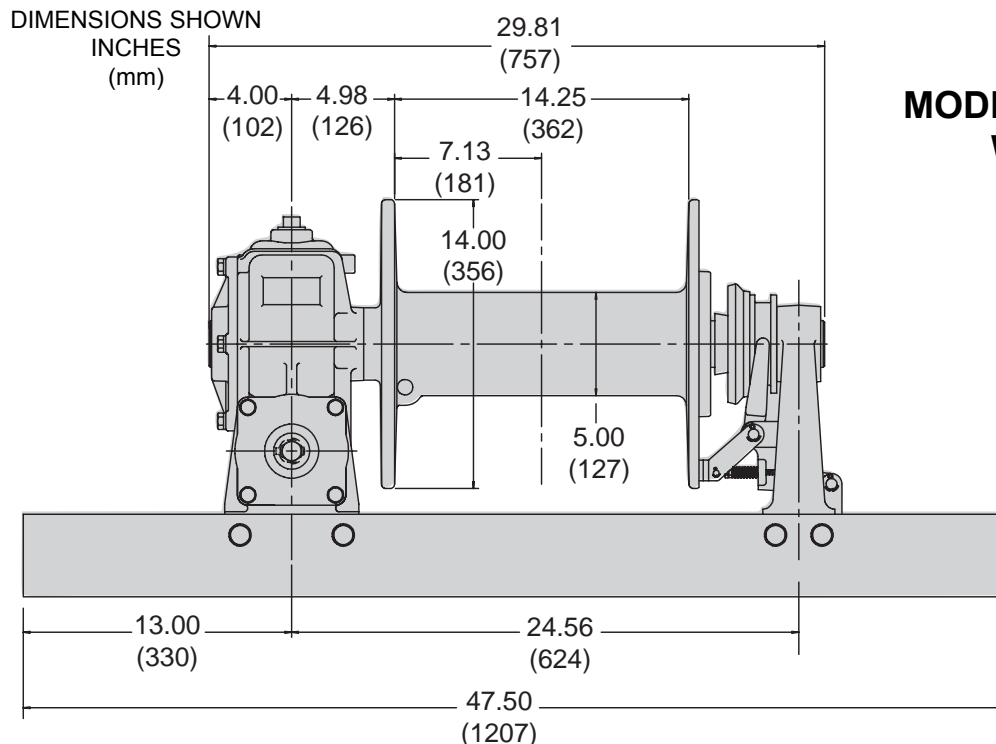


AHS7 / AMS7

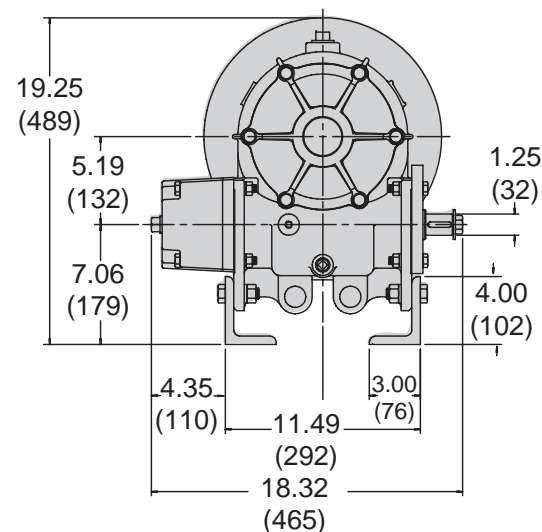
20,000 LB First Layer Line Pull

BRADEN®

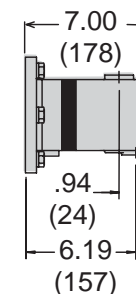
DIMENSIONAL INFORMATION



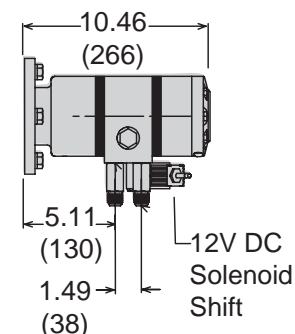
MODELS ARE ALSO AVAILABLE WITH A BAND BRAKE.



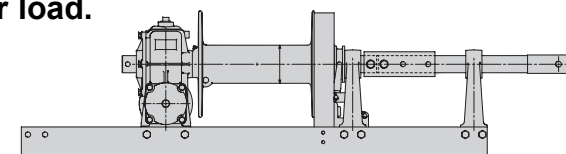
SINGLE-SPEED MOTOR



TWO-SPEED MOTOR



- Tested in compliance with SAE Specification J706.
- High-strength aluminum bronze worm gear for increased pulling power and long gear life.
- Oil-cooled, fully adjustable automatic worm brake.
- Freespool clutch with negative draft jaws for positive engagement under load.
- One piece cast ductile housing.
- Heat treated alloy steel drum shafts for extra load capacity.



OPTIONAL EXTENSION SHAFT MODELS
SEE LIT2033 FOR SPECIFICATIONS

PACCAR WINCH DIVISION

P.O. Box 547 Broken Arrow, Oklahoma 74013
PHONE: (918) 251-8511 FAX: (918) 259-1575
www.paccarwinch.com

WIRE ROPE CAPACITY

ROPE SIZE	LAYER																			
	1		2		3		4		5		6		7		8		9		10	
in.	ft	(m)	ft	(m)	ft	(m)	ft	(m)	ft	(m)	ft	(m)	ft	(m)	ft	(m)	ft	(m)	ft	(m)
7/16	41	12.5	89	27.1	144	43.9	205	62.5	273	83.2	348	106.1	429	130.8	517	157.6	612	186.5	714	217.6
1/2	36	11.0	79	24.1	129	39.3	186	56.7	249	75.9	319	97.2	396	120.7	479	146.0	569	173.4		
9/16	33	10.1	72	21.9	118	36.0	171	52.1	231	70.4	297	90.5	370	112.8	450	137.2				
5/8	30	9.1	66	20.1	109	33.2	159	48.5	216	65.8	279	85.0	349	106.4						

WIRE ROPE CAPACITY IS 90% OF THEORITICAL.

PERFORMANCE FORMULAS

LINE PULL AT LOWER PRESSURE

$$\frac{\text{YOUR SYSTEM PRESSURE}}{\text{MAXIMUM PRESSURE (FROM CHART)}} \times \text{LINE PULL FROM CHART} = \text{LINE PULL ESTIMATE}$$

LINE SPEED AT LOWER FLOW

$$\frac{\text{YOUR SYSTEM FLOW}}{\text{MAXIMUM FLOW (FROM CHART)}} \times \text{LINE SPEED FROM CHART} = \text{LINE SPEED ESTIMATE}$$

PERFORMANCE INFORMATION

Single-Speed Performance

24.0 cu in. (393 cc)

2100 Δ psi (145 Δ bar) @ 45 gpm (170 lpm)

5/8 in. WIRE ROPE						
LAYER	LINE PULL		LINE SPEED		ROPE CAPACITY	
	(lbs)	(kg)	(fpm)	(mpm)	(ft)	(m)
1	20,000	9,090	24	7.3	30	9.2
2	16,360	7,436	29	8.8	66	20.1
3	13,850	6,295	35	10.7	109	33.2
4	12,000	5,454	40	12.2	159	48.5
5	10,590	4,813	45	13.7	216	65.9
6	9,470	4,304	51	15.6	279	85.1
7	8,570	3,895	56	17.1	349	106.4

⚠ WARNING ⚠

The products described herein are neither designed nor intended for use or application to equipment used in lifting or moving of persons.

⚠ WARNING ⚠

A minimum of 5 wraps of wire rope must be left on the drum to prevent the load from being supported by the wire rope anchor alone. Since the wire rope anchor is not designed to hold the rated load, failure to leave 5 wraps of wire rope on the drum could cause the load to drop, which could result in property damage, personal injury or death.

ENGINEERING DATA

Worm Gear Ratio.....25:1
 Input Shaft Diameter.....1.25" (31.75 mm)
 Oil Capacity.....3 pints
 Weight - (winch only).....365 lbs. (111 kg)

MECHANICAL REQUIREMENTS:

Static Input Torque		Dynamic Input Torque		Max Input
lb-in	N-m	lb-in	N-m	RPM
5,900	667	4,500	509	400

2-Speed Performance

25.8/12.9 cu in. (423/211 cc)

1,700 Δ psi (117 Δ bar) @ 30 gpm (114 lpm)

Layer	Low Speed				High Speed			
	LINE PULL		LINE SPEED		LINE PULL		LINE SPEED	
	(lbs)	(kg)	(fpm)	(mpm)	(lbs)	(kg)	(fpm)	(mpm)
1	20,000	9,000	14	4.2	9,000	4,100	28	8.4
2	16,400	7,400	17	5.1	7,400	3,300	34	10.2
3	13,800	6,200	20	6.0	6,200	2,800	40	12.0
4	12,000	5,400	23	6.9	5,400	2,400	47	14.1
5	10,600	4,800	26	7.8	4,800	2,200	53	15.9
6	9,500	4,300	30	9.0	4,300	1,900	59	17.7
7	8,600	3,900	33	9.9	3,900	1,800	65	19.5

NOTES

Specifications are subject to change without notification and without incurring obligation.

Pressure and flow shown are the maximum allowable for the particular combination of winch, ratio, motor and drum.

Specifications in this publication are theoretical and may vary depending on hydraulic system, environment, etc.

Line pulls are maximum ratings for the winch only.

Wire rope ratings may be lower than the the winch rating.

Consult the wire rope manufacturer for ratings.