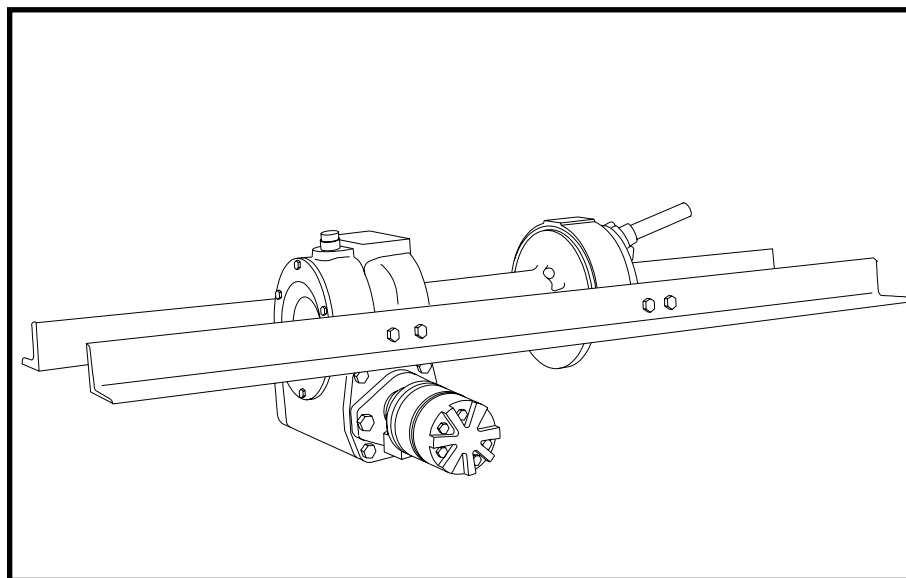


BRADEN®

ALGU2 AHGU2

MATERIAL LIST



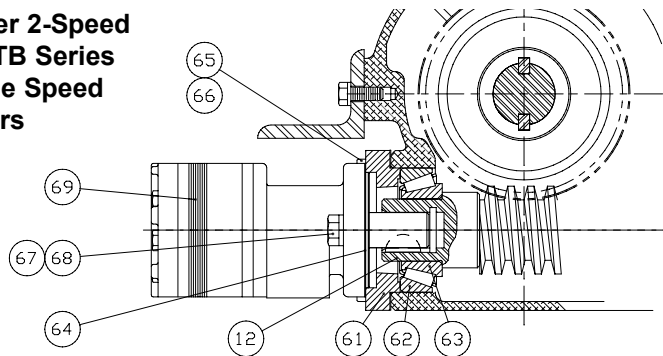
PACCAR WINCH DIVISION
P.O. BOX 547 BROKEN ARROW, OK U.S.A. 74013
PHONE (918) 251-8511 FAX (918) 259-1575
www.paccarwinch.com

BRADEN ALGU2-10F, AHGU2-10F COMPONENTS

BASIC MATERIAL LIST			
ITEM	DESCRIPTION	PART NUMBER	QTY.
1	Lockwasher (5/16 external tooth)	11011	6
2	Lockwasher (3/8 plain)	18003	8
3	Rollpin	18056	1
4	Worm Gear Key	11117	2
5	Thrust Ring	13680	1
6	Shifter Shaft	11130	1
7	Housing Cover Gasket	11133	1
8	Worm, Right Hand	11143	1
	Worm, Left Hand	11142	1
9	Worm Gear, Right Hand	11145	1
	Worm Gear, Left Hand	11144	1
10	Thrust Ring	11240	1
11	Worm Spacer	11308**	2
12	Worm Shaft	23470**	1
13	Safety Brake Disc	11426	2
14	Safety Brake Pressure Plate	11431	1
15	Safety Brake Adjusting Nut (included with item 52)	11599	1
16	Capscrew (5/16 -18 X 1)	11767	6
17	Grease Fitting	11799	2
18	Rollpin	11837	2
19	O-Ring	12465	1
20	Lockwasher (1/4 external tooth)	12780	2
21	Capscrew (1/4 -20 X 5/8)	13005	2
22	Cable Setscrew (1/2 - 13 cup point)	24032	1
23	Base Angle	22752	2
24	Cable Drum Shaft	11129	1
25	Capscrew (3/8 - 16 X 1 Gr5)	21961	8
26	Lockwasher (3/8 plain)	18003	4
27	Oil Level Plug (1/8 NPT)	18009	1
28	Bearing Cone	18015	1
29	Bearing Cup	18016	1
30	Retaining Ring	18019	1
31	Clutch Key	18020	2
32	Bearing Container Gasket (1/64)	18024	3
33	Bearing Container	23303	1
34	Shaft Seal	18026**	1
35	Bearing Container Gasket (1/32)	18027	3
36	Worm Key	18030	1
37	Clutch Key	18039	1
38	Rotor Key	18044	2
39	Grease Fitting	18047	1
40	Oil Drain Plug (1/2 NPT)	19045	1
41	Safety Brake Housing	21591	1
43	Safety Brake Housing Gasket	21640	1
45	Capscrew (3/8 - 16 X 2 Gr5)	22704	4
46	Cable Drum	11128	1
47	Oil Fill Plug (1 NPT SPECIAL)	22775	1
48	Shifter Fork	101094	1
49	Housing Cover (includes item 49a)	81009	1
49a	Bushing (not shown)	11368	1
50	Drag Brake Assembly	81025	1
51	Rotor Assembly	81080	1
52	Safety Brake Spring Assembly (includes item 15)	81081	1
53	Gear Housing (includes item 54a)	81006	1
54	Bearing Leg (includes item 54a)	81530	1
54a	Bushing (not shown)	18078	2
55	Shifter Handle	12817	1
56	Spring	18002	1
57	Detent Rollpin	13028	1
60	Drive Gear Key	10078**	1
61	Bearing Container	23303**	1
62	Bearing Cup	18016**	1
63	Bearing Cone	18015**	1
65	Capscrew (3/8 - 16 X 1 3/4)	22704**	4
66	Lockwasher (3/8 plain)	18003**	4

** Part DOES NOT apply to winches with close coupled hydraulic motors. See appropriate parts list at right.

Parker 2-Speed and TB Series Single Speed Motors



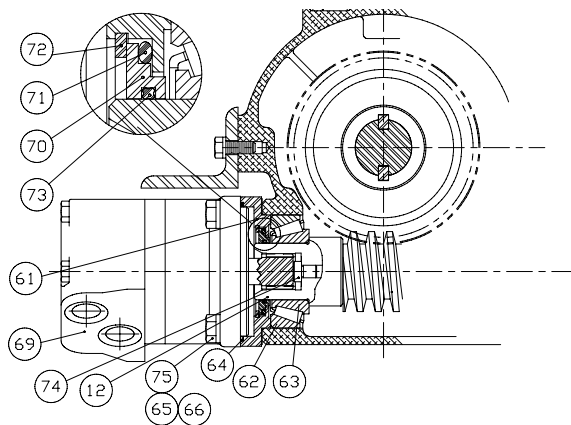
AHGU2 WITH PARKER 2-SPEED AND SINGLE SPEED TB SERIES MOTORS

ITEM	DESCRIPTION	1-SPEED MOTOR	2-SPEED MOTOR	QTY.
		PART NUMBER	PART NUMBER	
12	Worm Shaft	101231	26020	1
61	Bearing Container	102625	101237	1
62	Bearing Cup	26257	26257	1
63	Bearing Cone	26258	26258	1
64	Motor Gasket/O-Ring *	23108	72718	1
65	Capscrew	27796	22704	4
66	Washer	27879	18003	4
67	Lockwasher (1/2 plain)	11026	----	2
68	Capscrew (1/2 - 13 X 1 1/4 Gr5)	13938	----	2
69	Hydr. Motor - TB 1-Speed (8 cu in.)	102503	----	1
	Hydr. Motor - 2 Speed (7.2/3.6 cu in.)	----	101164	1
----	Motor Shaft Key (not shown)	11039	----	1
----	Bushing (not shown)	----	26351	4
----	ORB to JIC Adapter (not shown)	----	102342	2

* 1-Speed Motor uses gasket, 2-Speed Motor uses O-Ring

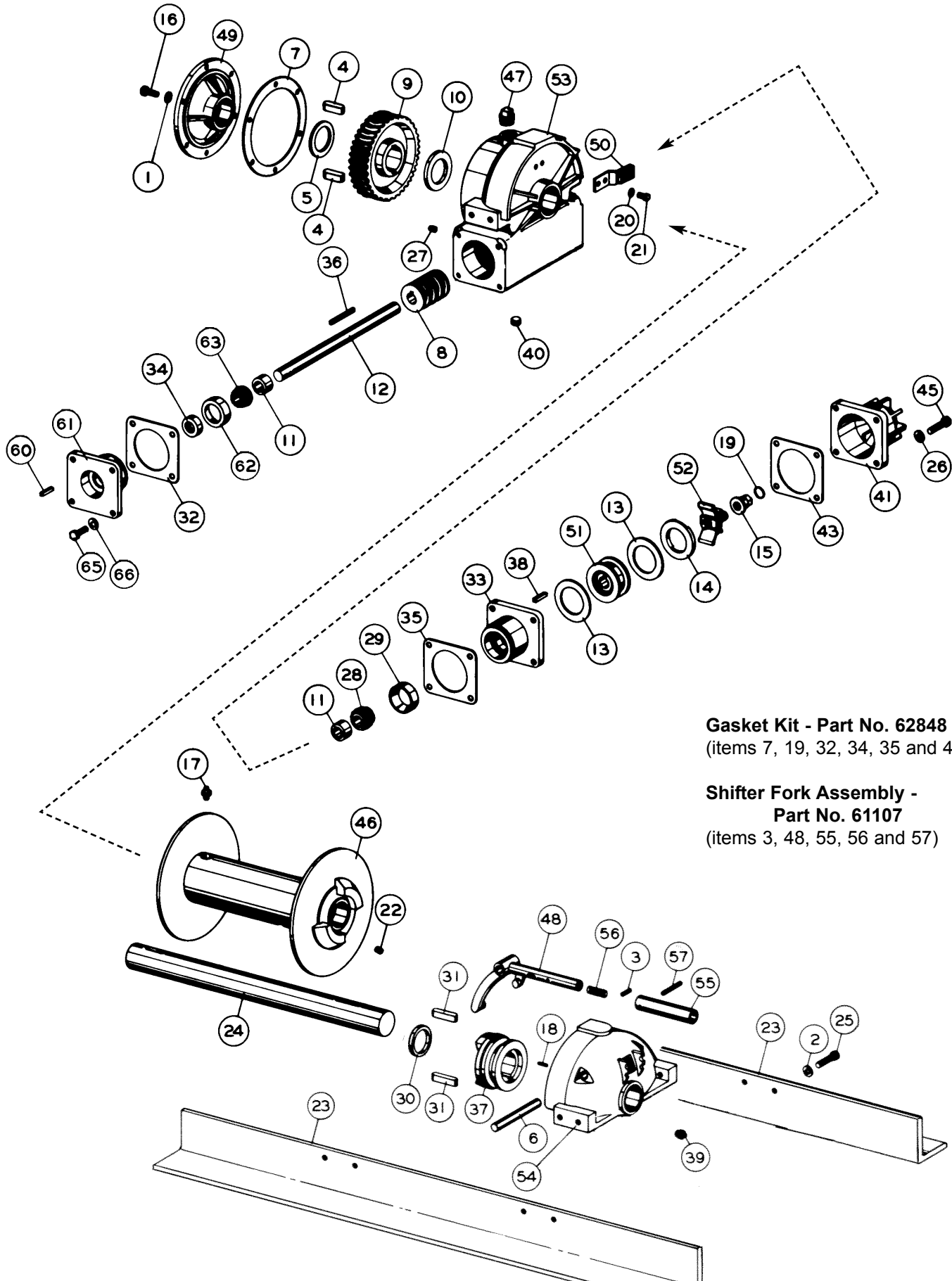
NOTE: 1-Speed Motor is 2 bolt, 2-Speed Motor is 4 bolt.

Char-Lynn 4 Bolt Close Coupled Motors



AHGU2 WITH CHAR-LYNN 4 BOLT CLOSE COUPLED MOTORS

ITEM	DESCRIPTION	PART NUMBER	QTY.
12	Worm Shaft	26020	1
61	Bearing Container	26017	1
62	Bearing Cup	26257	1
63	Bearing Cone	26258	1
64	O-Ring	72718	1
65	Capscrew (3/8 - 16 X 2 Gr5)	22704	4
66	Lockwasher (3/8 plain)	18003	4
	Hydraulic Motor (8 cu in.)	26262	1
69	Hydraulic Motor (6 cu in.)	26309	1
	Hydraulic Motor, 2-Speed (8/4 cu in.)	26671	1
70	Seal Container	26255	1
71	O-Ring	26722	1
72	Retaining Ring	25700	1
73	Quad Ring	26256	1
74	Rest Button	26263	1
75	Bushing	26351	4

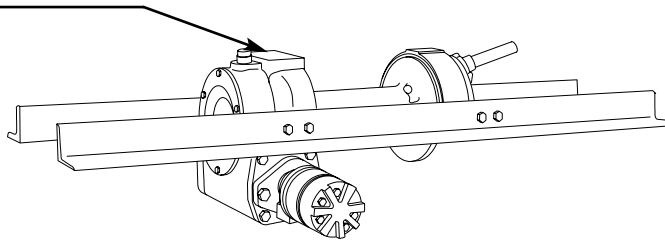


Gasket Kit - Part No. 62848
 (items 7, 19, 32, 34, 35 and 43)

Shifter Fork Assembly - Part No. 61107
 (items 3, 48, 55, 56 and 57)

Model Number

Serial Number



Most BRADEN worm gear winches have the model and serial numbers stamped into the worm gear housing. **Always** reference both of these numbers when ordering replacement parts. Our goal is to ship the correct parts, the first time.

FOR BEST RESULTS, ALWAYS USE GENUINE BRADEN REPLACEMENT PARTS

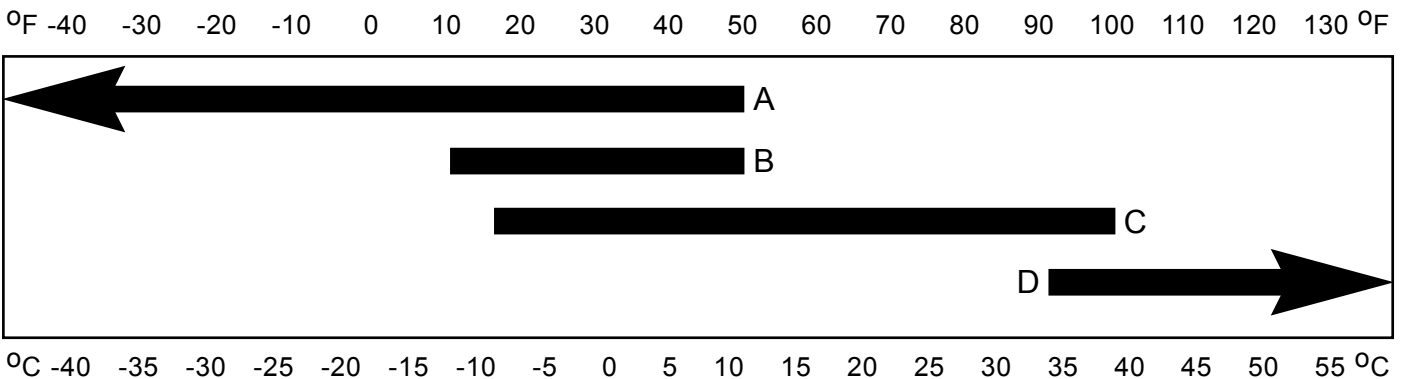
TO ORDER PARTS:

1. List model and serial numbers of the winch.
2. Refer to exploded view and select the component(s) needed and list the item number(s).
3. Find item number(s) on material list, show part number, description and quantity required on your order.
4. Refer to parts price list and show price for each part or assembly.

RECOMMENDED WORM GEAR OIL

We have published the following specifications to help you determine which lubricant is best suited for your application. For simplicity, Braden has listed one readily available product in each temperature range which has been tested and found to meet our specifications. This is not to say that other lubricant brands would not perform equally as well. If the following lubricant brands are not available in your area, make certain your lubricant vendor supplies you with oil that is equivalent to those products listed below.

PREVAILING AMBIENT TEMPERATURE



- A. Synthetic Texaco Pinnacle 150 or equivalent
- B. AGMA Grade 5 EP (90 wt) Texaco Meropa 220 or equivalent
- C. AGMA Grade 7 EP (140 wt) Texaco Meropa 460 or equivalent
- D. AGMA Grade 8 EP (180 wt) Texaco Meropa 680 or equivalent

Oil Capacity - 1 pint (0.47L)



Do not use aftermarket additives in worm gear oil. Some additives may contain substances which could cause glazing of brake discs or impede the firm locking action in the brake rotor assembly. Both symptoms could reduce load control which may result in property damage, personal injury or death.