

NEW

BRADEN®

Model BA3A

3 Ton*

AIR WINCH



Shown with optional band brake

*Top Layer Rating

STANDARD FEATURES

- Overrunning Clutch to Prevent Fall Back
- 5:1 Design Factor for Hoisting
- Meets ASME B30.7
- Automatic Internal Multi-Disc Brake

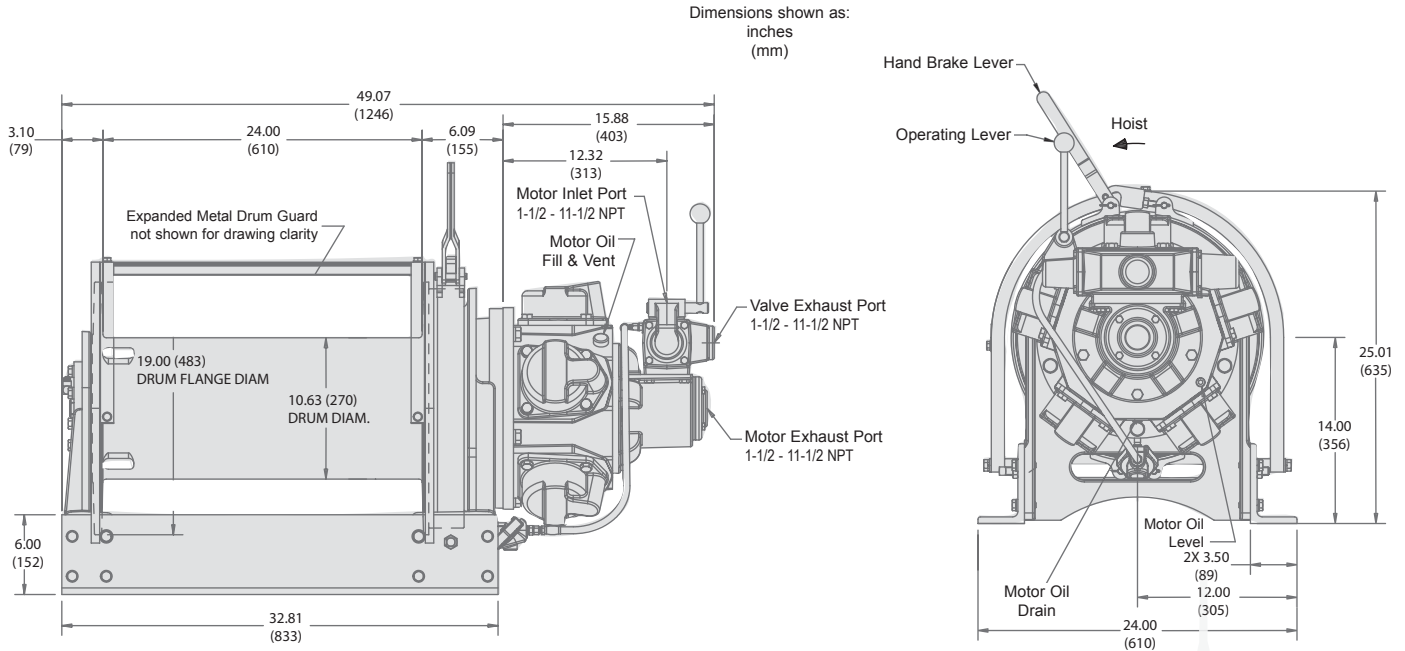
OPTIONAL ACCESSORIES

- Band Brake (Manual or Automatic)
- Drum Guard
- Construction Cage
- Marine Paint
- Remote Pilot Pendant Controls
- Minimum Operating Temp -20°C (-4°F)

PERSONNEL RATED FEATURES

- Dual Rating for Utility and Personnel
- 8:1 Design Factor for Personnel Handling
- Band Brake - Manual (standard), Automatic (optional)
- Drum Guard
- Available Third Party Certifications

DIMENSIONAL INFORMATION



PERFORMANCE DATA (UTILITY HOISTING)

Performance based on 90 PSI (6.3 bar) and 700 cfm (19.9 cubic meters/min)

.625 (16mm) dia wire rope

Layer	Line Pull		Line Speed		Rope Storage	
	Lbs	Kg	FPM	MPM	Ft	Meters
1	10,000	4,540	84	26	113	34
2	9,000	4,100	93	28	238	73
3	8,180	3,710	103	31	376	115
4	7,500	3,400	112	34	526	160
5	6,920	3,140	121	37	689	210
6*	6,410	2,910	131	40	864	263

i NOTE: Line speeds shown are at no load. Consult factory for details.

⚠ WARNING ⚠

A minimum of 5 wraps of wire rope must be left on the drum to prevent the load from being supported by the wire rope anchor alone. Since the wire rope anchor is not designed to hold the rated load, failure to leave 5 wraps of wire rope on the drum could cause the load to drop, which could result in property damage, injury or death.

* This layer does not comply with ANSI standard B-30.5 for 1/2 inch exposed flange.

COMMITMENT

Every process in the design, manufacture and support of BRADEN products is focused on one goal: Providing the highest quality winch, hoist and drive systems in the world. PACCAR Winch Division is committed to providing the best in product functionality and reliability.

Since 1905 PACCAR Inc has provided high quality products and services to numerous markets and countries. Let us put our experience and expertise to work for you.

NOTES

Specifications are subject to change without notification and without incurring obligation.

Pressure and flow shown are the maximum allowable for the particular combination of winch, ratio, motor and drum.

Specifications in this publication are theoretical and may vary depending on air system, environment, etc.

Line pulls are maximum ratings for the winch only. Wire rope ratings may be lower than the winch rating. Consult the wire rope manufacturer for ratings.