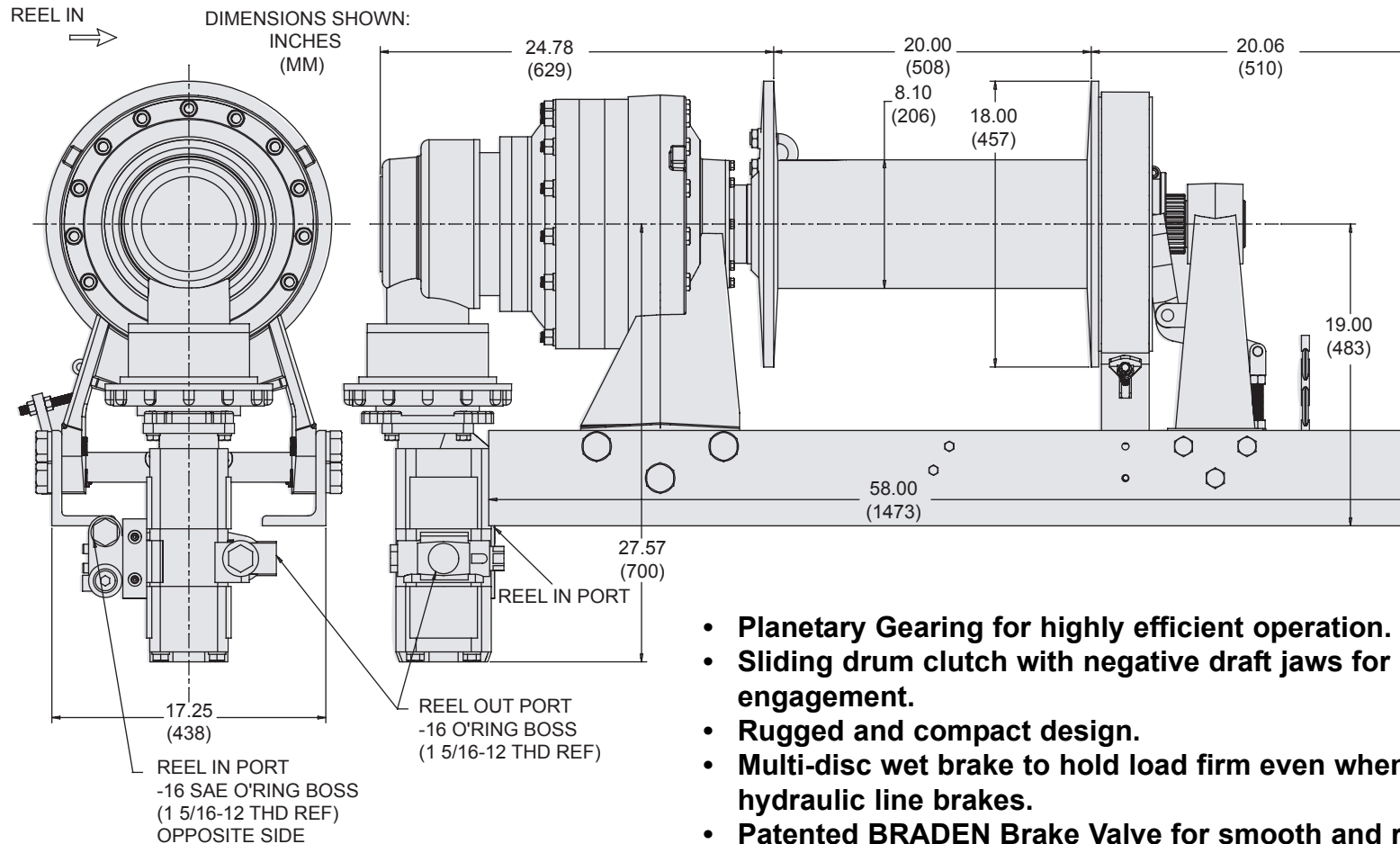


HP70

70,000 LB First Layer Line Pull

BRADEN®

DIMENSIONAL INFORMATION



- Planetary Gearing for highly efficient operation.
- Sliding drum clutch with negative draft jaws for positive engagement.
- Rugged and compact design.
- Multi-disc wet brake to hold load firm even when a hydraulic line brakes.
- Patented BRADEN Brake Valve for smooth and reliable load control.

PACCAR WINCH DIVISION

P.O. Box 547 Broken Arrow, Oklahoma 74013

PHONE: (918) 251-8511 FAX: (918) 259-1575

www.paccarwinch.com

WIRE ROPE CAPACITY

- 90% of Theoretical

WIRE ROPE SIZE	1ST LAYER		2ND LAYER		3RD LAYER		4TH LAYER		5TH LAYER	
	in.	ft. m	ft. m	ft. m	ft. m	ft. m	ft. m	ft. m	ft. m	
7/8	48	14	103	31	168	51	243	74	327	99
1	41	12	92	28	152	46	221	67	300*	91*
1 1/8	37	11	83	25	140	43	200*	55*		

* Layer does not meet SAE J706 requirements

The BRADEN HP70 Hydraulic Planetary Recovery Winch is designed and manufactured to meet the durability, reliability and performance demands of the Oil Field market.

HP series recovery winches provide superior line-speed and efficiency of planetary gearing while delivering all the pull of a comparable worm gear recovery winch.

Some basic features include:

- Easy, quick installation procedures
- Cable drum band brake controls back-spinning and bird-nesting of wire rope when the clutch is disengaged
- Visible freespool clutch with negative draft jaws for positive engagement
- Patented BRADEN Brake Valve for superior, smooth load control

NOTES

Specifications are subject to change without notification and without incurring obligation.

Pressure and flow shown are the maximum allowable for the particular combination of winch, ratio, motor and drum.

Specifications in this publication are theoretical and may vary depending on hydraulic system, environment, etc.

Line pulls are maximum ratings for the winch only.

Wire rope ratings may be lower than the winch rating.

Consult the wire rope manufacturer for ratings.

PERFORMANCE INFORMATION

2 Speed Motor

Motor Disp. - 12.76/6.38 Pressure - 2600 PSI (179bar) Flow - 60 gpm (227 lpm) Rope Size - 1 1/8

LAYER	LINE PULL				LINE SPEED				WIRE ROPE	
	LBS		KG		FPM		MPM		FT	M
	LOW	HIGH	LOW	HIGH	LOW	HIGH	LOW	HIGH		
1	70,000	27,000	31,800	12,200	24	55	7	17	37	11
2	56,100	21,600	25,500	9,800	30	69	9	21	83	25
3	46,900	18,000	21,300	8,200	37	83	11	25	140	42
4	40,200	15,500	18,300	7,000	43	96	13	29	200	61

ENGINEERING DATA

Maximum Load - First Layer70,000 LBS (31,750 KG)
 Gear Ratio81:1
 Gear Box Oil Capacity20 pints (9.5 L)
 Weight (with 2-Speed Motor)1500 LBS (680 KG)
 Drum Shaft Size3.75 in. (95.3 mm)

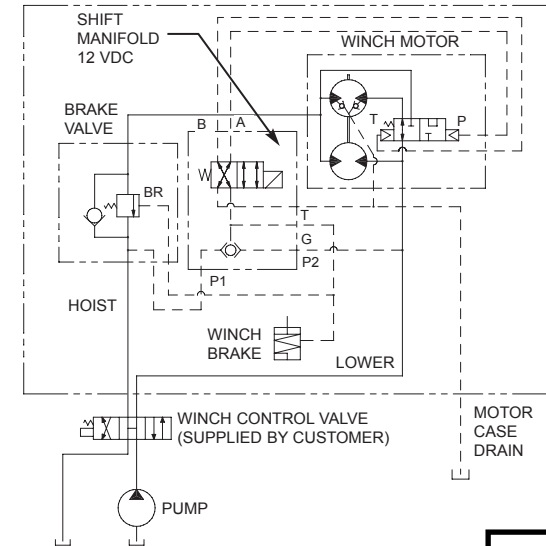
⚠ WARNING ⚠

Winches described herein are neither designed or intended for use or application to equipment used in lifting or moving persons.

A minimum of 5 wraps of wire rope must be left on the drum to prevent the load from being supported by the wire rope anchor alone. Since the wire rope anchor is not designed to hold the rated load, failure to do so could cause the load to drop, which could result in property damage, personal injury or death.

SPECIFICATIONS ARE SUBJECT TO CHANGE WITHOUT NOTICE AND WITHOUT INCURRING OBLIGATION

Two Speed



HP70