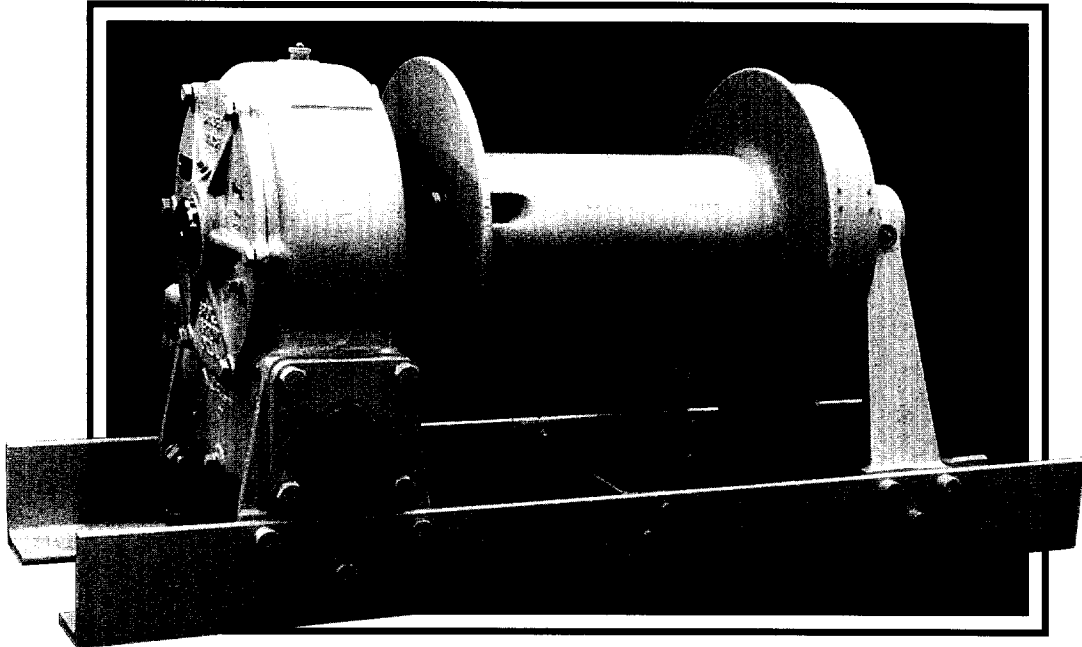


BRADEN

MODEL MS30/HS30P

MECHANICAL OR HYDRAULICALLY DRIVEN WORM GEAR WINCH



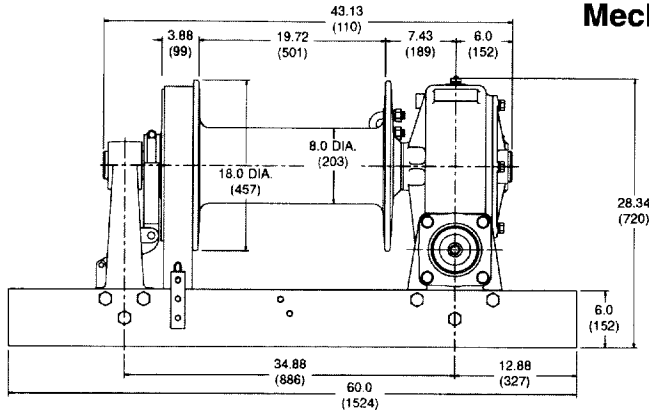
60,000 LBS FIRST LAYER LINE PULL

- Famous BRADEN adjustable oil-cooled worm brake for optimum load control
- Cable drum band brake controls back-spinning and bird-nesting when clutch is disengaged
- Clutch plate is bolted to cable drum for easy replacement
- Free spool clutch with negative draft jaws for positive engagement
- Sliding clutch is splined to drum shaft to eliminate "key overturn"
- Thrust rings in gear housing handle drum thrust in either direction; reducing component wear when pulling loads at severe angles
- Control rod and lever standard for remote operation of the band brake
- Direct connected single and two speed hydraulic motors optional (requires planetary adapter)
- Increased oil capacity for cooler running gears and longer gear life

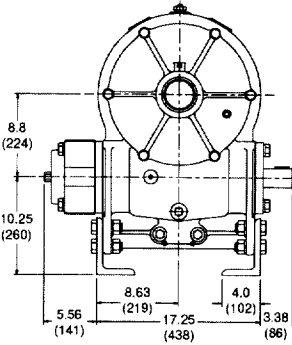
MODEL MS30/HS30P

DIMENSIONAL INFORMATION

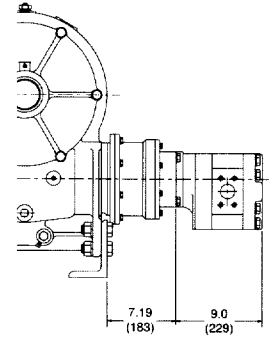
Dimensions shown in inches (mm)



Mechanical Drive



Single Speed Motor



MECHANICAL DRIVE

Starting Input Torque (Static) lb-in.21,600
 Input Torque to Operate Winch (Dynamic) lb-in.....16,100
 Maximum Input rpm @ Rated Load.....220
 Worm Gear Ratio39:1
 Input Shaft Diameter (in.).....2

| LAYER | LINE PULL (lbs) | LINE SPEED (fpm) | 7/8 in. WIRE ROPE CAPACITY* (ft) |
|-------|-----------------|------------------|----------------------------------|
| 1 | 60,000 | 13 | 47 |
| 2 | 50,100 | 15 | 104 |
| 3 | 43,000 | 18 | 170 |
| 4 | 37,700 | 20 | 246 |
| 5 | 33,500 | 23 | 331 |

HYDRAULIC DRIVE

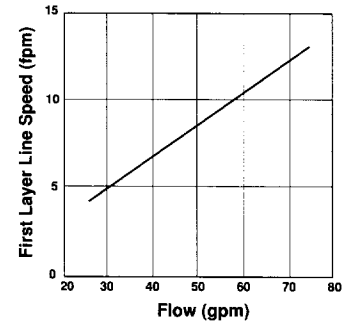
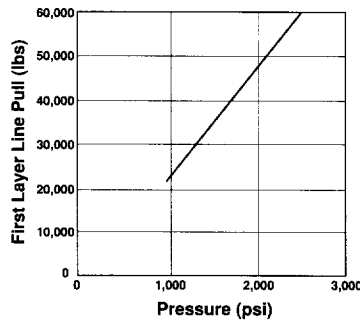
Hydraulically driven MS30 winches are available with a 7.75:1 planetary adapter and Commercial Shearing motors.

Single Speed Motor (9.03 cu in.)

2,500 psi @ 75 gpm (1,650 psi dynamic)
 60,000 lbs first layer line pull
 13 fpm first layer line speed

Two Speed Motor (12.8/6.4 cu in.)

(Optional - Consult factory for details)



ACCUMULATIVE WIRE ROPE CAPACITY* (ft)

Line pulls are maximum ratings for the winch only and are shown for comparison purposes. Consult the wire rope manufacturer's ratings for the rope to be used.

| WIRE ROPE SIZE (in.) | LAYER | | | | |
|----------------------|-------|-----|-----|-----|-----|
| | 1 | 2 | 3 | 4 | 5 |
| 7/8 | 47 | 104 | 170 | 246 | 331 |
| 1 | 42 | 93 | 154 | 224 | 304 |
| 1 1/8 | 38 | 85 | 142 | 208 | |

* Wire rope capacities are 90% of theoretical

UNIT WEIGHTS

MS30 1200 LBS
 PLANETARY ADAPTER AND SINGLE-SPEED MOTOR ADD 155 LBS

WARNING

Winches described herein are neither designed nor intended for use or application to equipment used in the lifting or moving of persons.

A minimum of 5 wraps of cable must be left on the drum to prevent the load from being supported by the cable anchor alone. Since the cable anchor is not designed to hold the rated load, failure to do so could cause loss of load control, which could result in property damage, personal injury or death.

SPECIFICATIONS ARE SUBJECT TO CHANGE WITHOUT NOTICE AND WITHOUT INCURRING OBLIGATION.