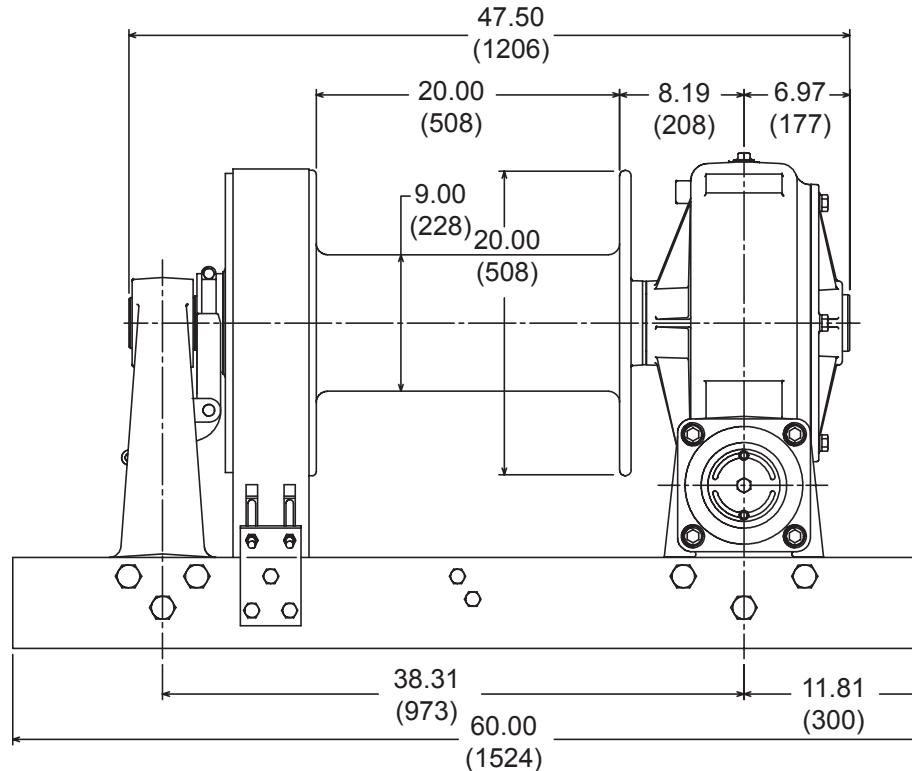


HS50P / MS50

100,000 LB First Layer Line Pull

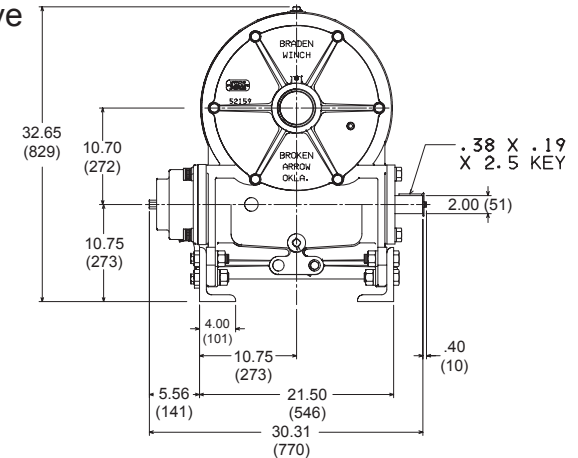
BRADEN®

DIMENSIONAL INFORMATION

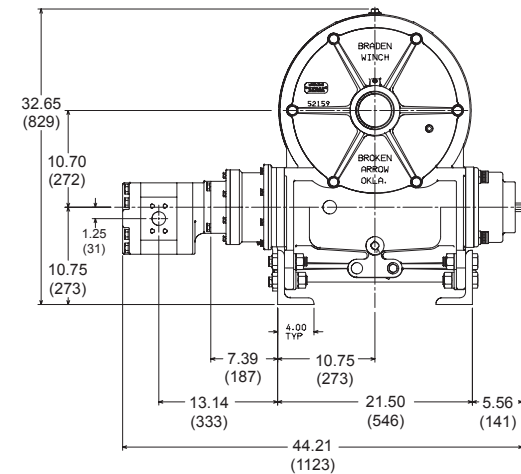


- Band brake around cable drum prevents “birdnesting” of cable when drum clutch is engaged.
- Easily replaceable clutch jaws are bolted to cable drum.
- Oil-cooled, fully adjustable automatic safety brake.
- Tapered roller bearings provide extra capacity in carrying worm thrust and radial loads.
- Sliding drum clutch is splined and has negative draft jaws for positive engagement

Mechanical Drive



Hydraulic Drive



PACCAR WINCH DIVISION

P.O. Box 547 Broken Arrow, Oklahoma 74013

PHONE: (918) 251-8511 FAX: (918) 259-1575

www.paccarwinch.com

WIRE ROPE CAPACITY

ROPE SIZE	LAYER							
	1		2		3		4	
in.	ft	(m)	ft	(m)	ft	(m)	ft	(m)
1 1/8	42	12.8	94	28.7	160	48.8	230	70.1
1 1/4	39	11.9	87	26.5	140	42.7	210	64.0

ENGINEERING DATA

Rated Working Load (Max. Load, First Layer).....	100,000 lbs. (45,360 kg)
Breaking Strength (First Layer).....	200,000 lbs. (90,720 kg)
Worm Gear Ratio.....	40:1
Planetary Drive Ratio.....	7.75:1
Maximum Input RPM @ Rated Load (mechanical drive).....	180
Drum Shaft Diameter.....	3 3/4 in. (95.25 mm)
Starting Input Torque (Static).....	35,160 lb-in (3,973 N-m)
Input Torque To Operate Winch (Dynamic).....	27,000 lb-in (3,051 N-m)
Oil Capacity.....	34 pints
Input Shaft Diameter.....	2 in. (50.80 mm)
Weight - 18" Drum (Winch Only).....	1634 lbs. (741 kg)

COMMITMENT

Every process in the design, manufacture and support of BRADEN products is focused on one goal: Providing the highest quality winch, hoist and drive systems in the world.

PACCAR Winch Division is committed to providing the best in product design, durability and reliability. BRADEN products are supported with comprehensive publications, factory service representatives and a world wide distribution network.

Since 1905 PACCAR Inc has provided high quality products and services to numerous markets and countries. Let us put our experience and expertise to work for you.

www.paccarwinch.com

⚠ WARNING ⚠

The products described herein are neither designed nor intended for use or application to equipment used in lifting or moving of persons.

PERFORMANCE INFORMATION

1 1/4 in. WIRE ROPE				
LAYER	LINE PULL		LINE SPEED	
	(lbs)	(kg)	(fpm)	(mpm)
1	100,000	45,450	12	3.7
2	81,800	37,178	15	4.6
3	69,200	31,451	17	5.2
4	60,000	27,270	20	6.1

⚠ WARNING ⚠

A minimum of 5 wraps of wire rope must be left on the drum to prevent the load from being supported by the wire rope anchor alone. Since the wire rope anchor is not designed to hold the rated load, failure to leave 5 wraps of wire rope on the drum could cause the load to drop, which could result in property damage, personal injury or death.

MECHANICAL REQUIREMENTS:

Static Input Torque		Dynamic Input Torque		Max Input*
lb-in	N-m	lb-in	N-m	RPM
35,200	3,978	27,000	3,051	180

*AT RATED LOAD

HYDRAULIC REQUIREMENTS:

MOTOR	Δ PSI	(Δ bar)	@	gpm	(lpm)
12.03 cu.in.	3,000	207			82.5

NOTES

Specifications are subject to change without notification and without incurring obligation.

Pressure and flow shown are the maximum allowable for the particular combination of winch, ratio, motor and drum.

Specifications in this publication are theoretical and may vary depending on hydraulic system, environment, etc.

Line pulls are maximum ratings for the winch only.

Wire rope ratings may be lower than the winch rating.

Consult the wire rope manufacturer for ratings.

HS50P / MS50