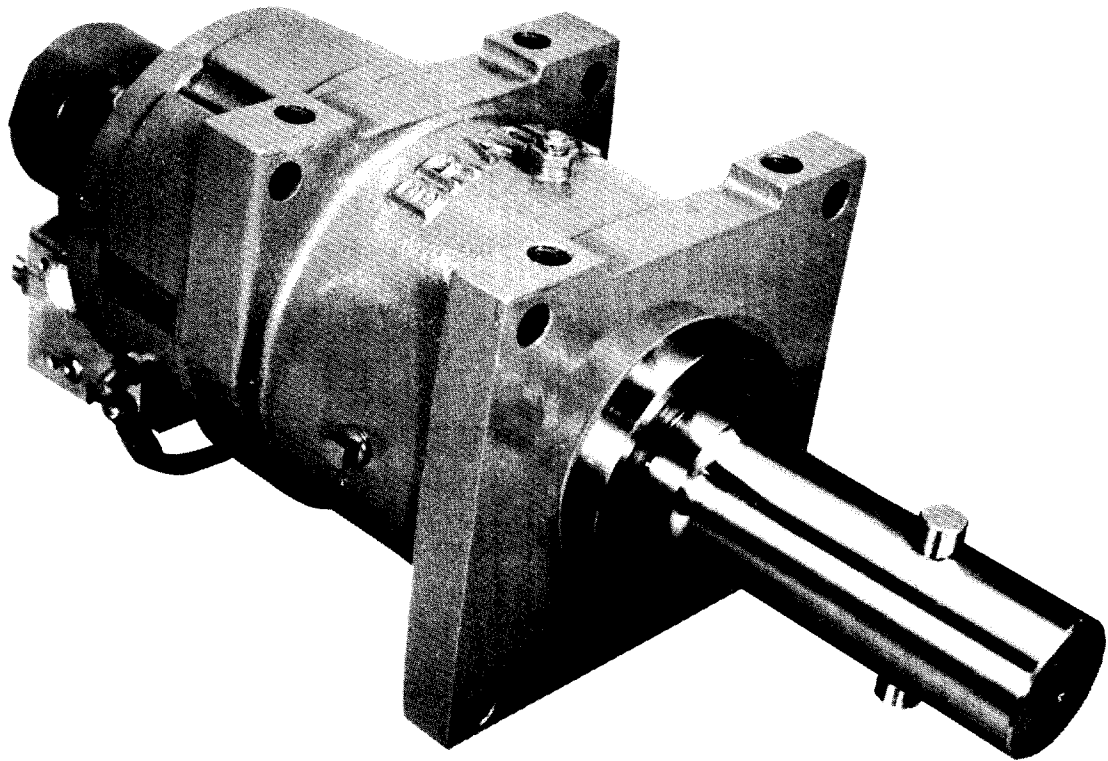


# BRADEN

## MODEL PCD24B Planetary Capstan Drive



### FEATURES:

- Up To 6,000 lb Rating on 7" Dia. Capstan
- Several Motor Options Provide Optimum Performance
- Improved Mounting Versatility
- Simplified Brake Design
- Increased Serviceability

# BRADEN MODEL PCD24B FEATURES

## NEW FEATURES

**IMPROVED MOUNTING VERSATILITY** — The new design has an additional mounting pad which will permit deck mounting to reduce installation time.

**IMPROVED PERFORMANCE** — New larger tapered roller bearings on the high capacity option allow line pulls up to 6,000 lbs on a 7" capstan.

**SIMPLIFIED BRAKE DESIGN** — The spring applied, hydraulically released, brake has fewer parts and fewer "leak paths" to improve reliability.

**HYDRAULIC MOTOR OPTIONS** — Several new hydraulic motor options allow installer to tailor the performance to the individual hydraulic systems.

**FIXED CAPSTAN OPTION** — A new fixed capstan option provides an extremely compact unit in applications where a removable capstan is not required.

## PART NUMBER CONVERSION CHART

Old PCD24 Number	New PCD24B Number	Note
<b>Square Mounting Flange (8.5" × 8.5") 4,000 LB RATING (4.75" PILOT DIAMETER)</b>		
03133	03551	Nichols 8.8 cu. in.
02969	03632	Char Lynn 8.0 cu. in.
02920	03617	No Hydraulics
<b>Rectangular Mount (11.0" × 7.38") REPLACED BY SQUARE MOUNT (8.5" × 8.5") 4,000 LB RATING (4.75" PILOT DIAMETER)</b>		
02781	03617	No Hydraulics
03132	03551	Nichols 8.8 cu. in.
03411	03619	Nichols 8.8 cu. in., Fixed Capstan
02797	03632	Char Lynn 8.0 cu. in.
<b>Rectangular Mount (11.0" × 7.38") REPLACED BY SQUARE MOUNT (8.5" × 8.5") 6,000 LB RATING (6.0" CLEARANCE DIAMETER)</b>		
03545	03616	Nichols 12.9 cu. in.
03465	03631	Char Lynn 11.9 cu. in.

# PERFORMANCE DATA BRADEN MODEL PCD24B

## For Flows Up To 20 GPM

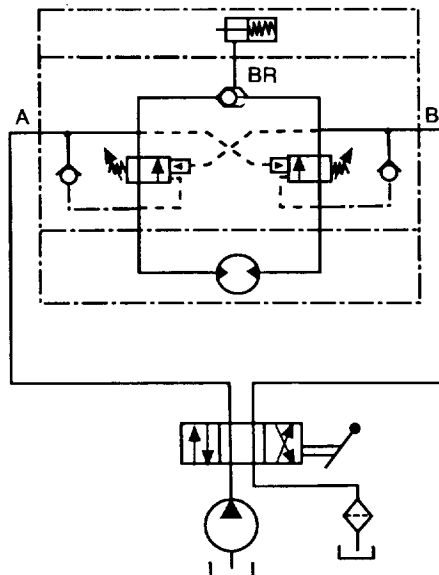
Part No.	Model Number Motor Mfg. Disp. (cu. in.)	Pressure (PSI)	Flow Max. (GPM)	Output Shaft		7" Capstan		20" C.R. Reel	
				Torque Speed		Line Pull	Line Speed	Line Pull	Line Speed
03615	PCD24B-08071-01 Nichols 060 - 7.1	2350	20	12,000 in. lbs 75 RPM		3,000 lbs 158 FPM		1,200 lbs 392 FPM	
03551	PCD24B-08088-01 Nichols 060 - 8.8	2500	20	16,000 in. lbs 61 RPM		4,000 lbs 127 FPM		1,600 lbs 320 FPM	
03619	PCD24B-08088-03 (Fixed Capstan) Nichols 060 - 8.8	2500	20	16,000 in. lbs 61 RPM		4,000 lbs 127 FPM		N/A	
03616	PCD24B-08129-01H Nichols 060 - 12.9	2700	20	24,000 in. lbs 42 RPM		6,000 lbs 87 FPM		2,400 lbs 220 FPM	

## For Flows Up To 30 GPM

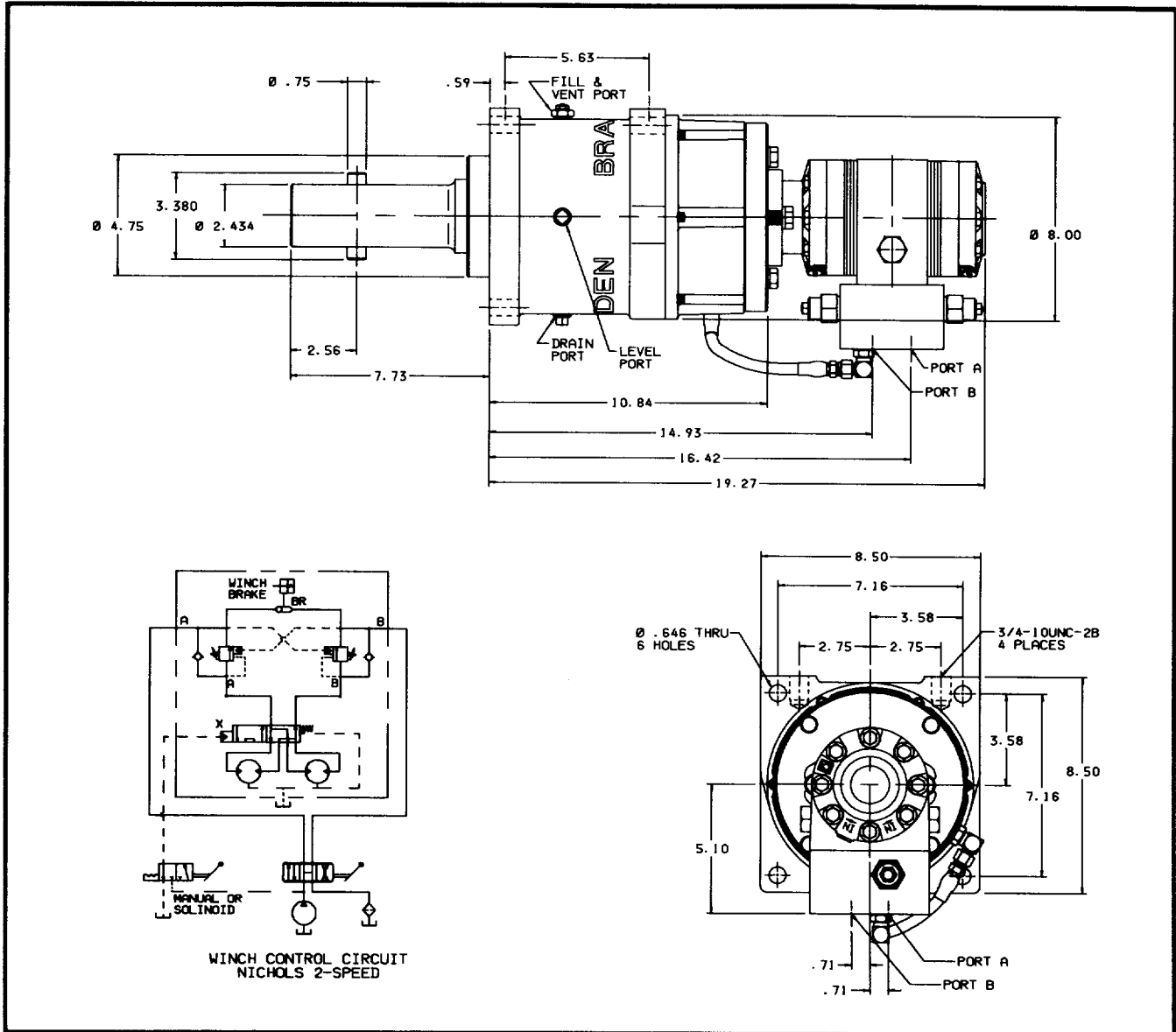
Part No.	Model Number Motor Mfg. Disp. (cu. in.)	Pressure (PSI)	Flow Max. (GPM)	Output Shaft		7" Capstan		20" C.R. Reel	
				Torque Speed		Line Pull	Line Speed	Line Pull	Line Speed
03632	PCD24B-08080-01 Char Lynn 2000 - 8.0	2550	30	16,000 in. lbs 102 RPM		4,000 lbs 213 FPM		1,600 lbs 534 FPM	
03631	PCD24B-08119-01H Char Lynn 2000 - 11.9	2400	30	24,000 in. lbs 68 RPM		6,000 lbs 142 FPM		2,400 lbs 356 FPM	

Note: Line pull rating is for capstan drive only, consult capstan and/or C.R. reel manufacturer for maximum load rating of detachable capstan and/or C.R. reel.

Capstan Drive Control Circuit  
Single Speed  
Brake Effective Both Directions  
(Double Counterbalance w/Shuttle)



# PCD24B WITH 2 SPEED MOTOR DIMENSIONAL AND PERFORMANCE DATA

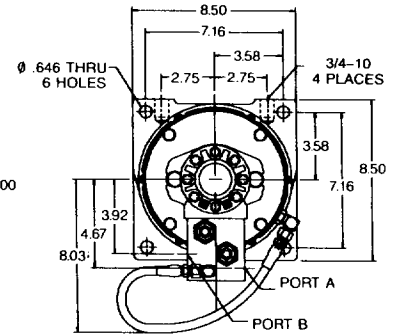
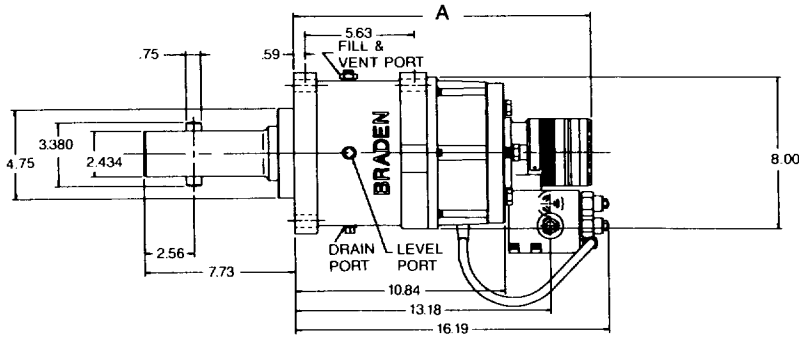


**Nichols 700 Series 2 Speed Motor**  
**SAE "A" 2 bolt mounting flange**  
**7.2/3.6 cu in./rev**

Part No.	Model Number	Pressure (psi)	Max. Flow (gpm)	Output Shaft	7in. Capstan	20in. C.R. Reel
	Motor Speed & Disp.			Torque Speed	Line Pull Line Speed	Line Pull Line Speed
03777	PCD24B-08072/36-01 High Speed (3.6 cu in.)	2,500	15	6,800 lb-in. 115 rpm	1,700 lb 240 fpm	680 lb 600 fpm
	Low Speed (7.2 cu in.)			14,400 lb-in. 57 rpm	3,600 lb 120 fpm	1,440 lb 300 fpm

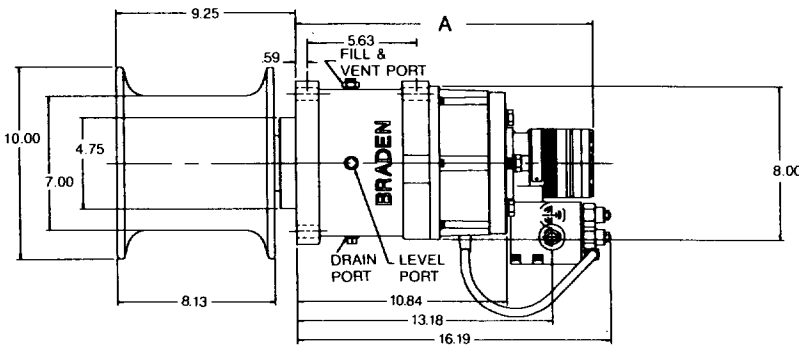
# DIMENSIONAL DATA

**Flows up to 20 GPM (Nichols 060 Series Hyd. Motor)**  
**Up to 4,000 Capacity on 7" Dia. Capstan**

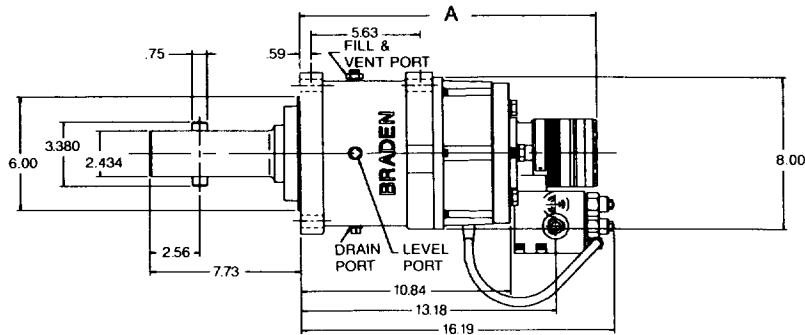


Both Motor Ports  
 -10 SAE O-Ring Boss  
 (7/8-14 Thread)

## Fixed Capstan Unit



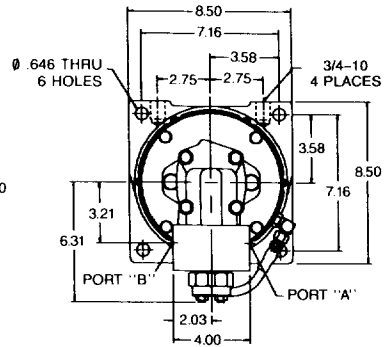
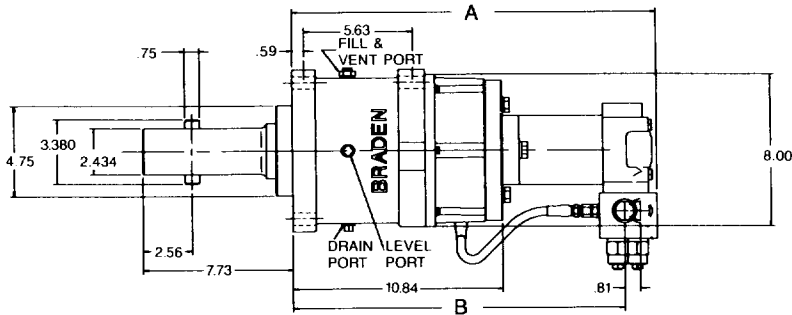
## Optional 6,000 Capacity on 7" Dia. Capstan



Motor Size	-A-
071 (7.1 cu.in.)	15.18"
088 (8.8 cu.in.)	15.37"
129 (12.9 cu.in.) 6000 lb Option	15.82"

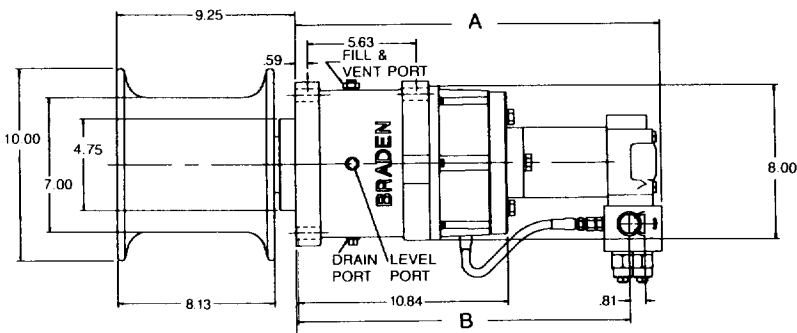
# DIMENSIONAL DATA

**Flows up to 30 GPM (Char-Lynn 2000 Series Hyd. Motor)**  
**Up to 4,000 Capacity on 7" Dia. Capstan**

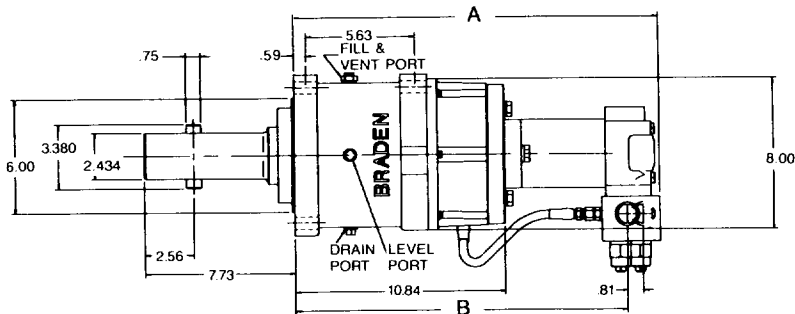


Both Motor Ports  
 -10 SAE O-Ring Boss  
 (7/8-14 Thread)

## Fixed Capstan Unit



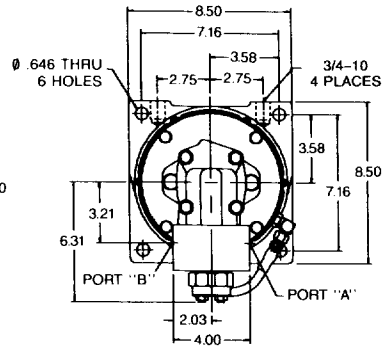
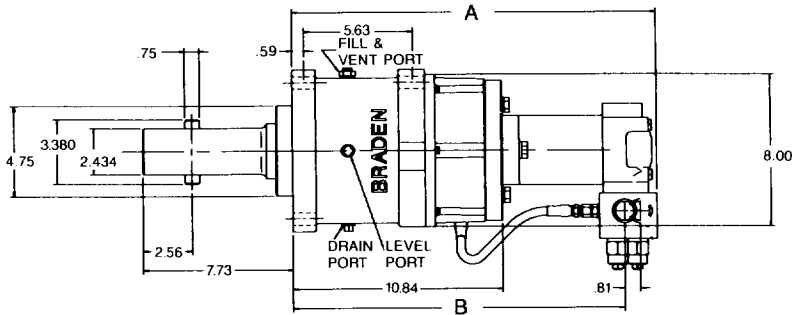
## Optional 6,000 Capacity on 7" Dia. Capstan



Motor Size	-A-	-B-
080 (8.0 cu.in.)	18.78"	17.09"
119 (11.9 cu.in.) 6000 lb Option	19.05"	17.36"

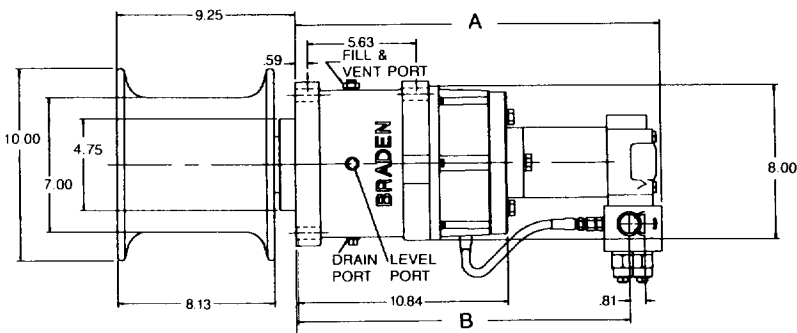
# DIMENSIONAL DATA

**Flows up to 30 GPM (Char-Lynn 2000 Series Hyd. Motor)**  
**Up to 4,000 Capacity on 7" Dia. Capstan**

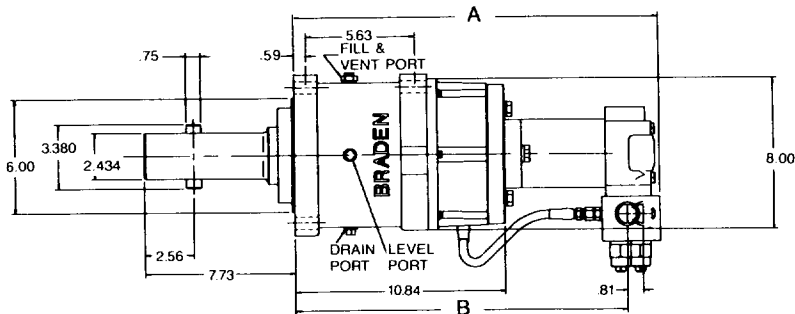


Both Motor Ports  
 -10 SAE O-Ring Boss  
 (7/8-14 Thread)

## Fixed Capstan Unit



## Optional 6,000 Capacity on 7" Dia. Capstan

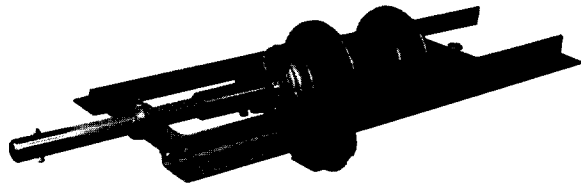


Motor Size	-A-	-B-
080 (8.0 cu.in.)	18.78"	17.09"
119 (11.9 cu.in.) 6000 lb Option	19.05"	17.36"

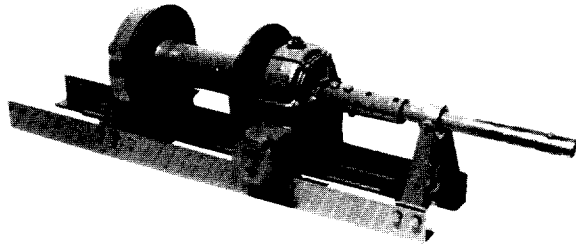
# PRODUCTS FOR THE UTILITIES

## PRODUCTS FOR THE UTILITIES

BRADEN MANUFACTURES A WIDE VARIETY OF PRODUCTS FOR UTILITY APPLICATIONS.



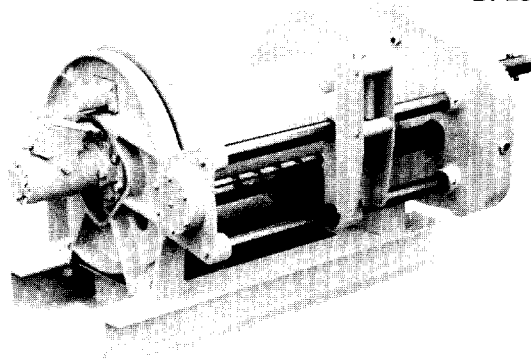
MODEL AMGU5-12FEB



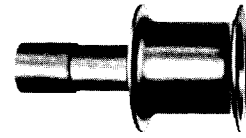
MODEL AMS7-15BEB

**EXTENDED SHAFT WORM GEAR WINCHES** are offered on selected models of 10,000 and 20,000 lb. low mount models and 10,000, 20,000 and 30,000 lb. upright models, for use with capstans or collapsible reels.

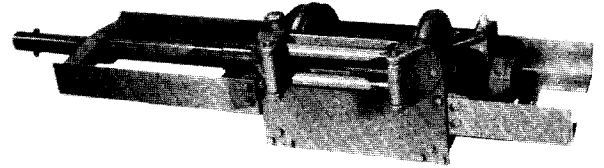
MODEL  
BP200



- **COMPACT DESIGN** REQUIRES ONLY LIMITED MODIFICATION OF SERVICE BODY COMPARTMENTS FOR SIMPLIFIED INSTALLATION
- **ADJUSTABLE LOW-DRAG FREE SPOOL SYSTEM** PERMITS OPERATOR TO DISCONNECT DRUM AND PULL OFF CABLE WITH LITTLE EFFORT
- **LEVEL WIND SYSTEM** PROVIDES EVEN DISTRIBUTION OF CABLE UNDER TENSION AND ALLOWS THE OPERATOR TO MAKE SIMPLE ADJUSTMENTS TO ACCOMMODATE CHANGING CABLE CONDITIONS
- **TWO-SPEED MOTOR** DELIVERS EXCELLENT LOW SPEED POWER AND FEATHERING CONTROL WITH SHIFT-ON-THE-FLY CAPABILITY AND A WIDE SPEED RANGE

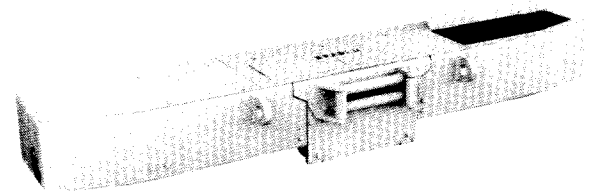


M9-272-0  
BAYONET CAPSTAN  
(Part No. 81239)



MODEL PD18B-11FEB

The **PD18B PLANETARY MODELS** are rated in compliance with SAE J706 for dynamic load capacities to 20,000 lbs. The planetary gearing with anti-friction bearings results in a compact winch with high efficiency and thermal capacity for longer duty cycles. The braking system is spring applied, hydraulically released and designed to hold the rated load if power fails. Optional extension shaft turns at more than four (4) times the drum speed for increased productivity.



### PD18B UNIVERSAL BUMPER ASSEMBLY

A complete front bumper assembly for both the HUP10A (10,000 LBS) and the PD18B (20,000 LBS) is available to fit most popular commercial trucks.

These bumper kits are manufactured to the same high quality standards as all BRADEN products and have been designed for ease of installation and winch operation. They feature a four roller fairlead and top opening door for convenient access to the winch drum and clutch lever. The winch is easily removed from the bumper for service, and the bumper assembly has been fully tested to insure proper winch support at rated load. The compact design minimizes front overhang, reduces front-end weight and can be used on tilt cabs.