



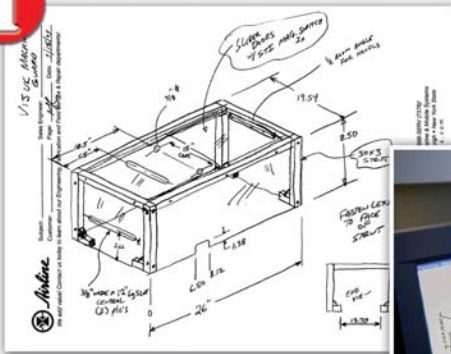
Airline

Fluid Power, Automation and Motion Control for all Industries

Rexroth
Bosch Group
Solutions Partner
Authorized Distributor

Let Airline transform your ideas into reality.

1



ON-SITE DEVELOPMENT

An Airline Application Engineer will consult with you at your site to develop concepts to meet your needs. At Airline, a member of our design group will generate a 3D drawing for your approval.

2



LOCAL MANUFACTURING

Airline's fabrication facilities offer the best in local manufacturing support. We integrate our power, automation, safety, control & framing products to deliver cost-effective solutions for virtually any application.

3



LOCAL FIELD SUPPORT

Our field service team can deliver your designed and manufactured structure to your location. If required, our skilled technicians will install it, to have you up and running in no time!

Airline Hydraulics
Headquarters:
Bensalem, PA 19020

Additional locations
throughout the Northeast!

Toll Free: (800) 999-7378
www.airlinehyd.com