



Airline

Products and Solutions to Power Your Ideas



Diesel Filtration and Water Removal

New fuel / water separation media technology in a three-phase element construction for high efficiency, single-pass removal of free-water in Ultra-Low Sulfur Diesel (ULSD) and biodiesel fuels. (Prior generation coalescing products no longer provide high-efficiency separation in ULSD & biofuels.)

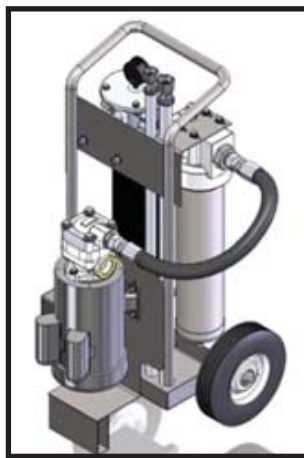
Diesel Precare HDP

1.5 GPM or 2.6 GPM



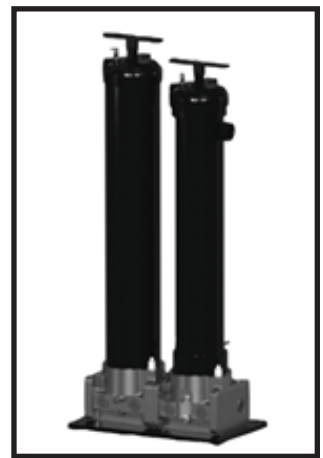
Bulk Diesel Carts

14 and 25 GPM



Bulk Diesel Skid

70 GPM



Features & Benefits

- Coalescing filter delivers 99.5% single pass free and emulsified water removal efficiency achieve outlet water concentrations below 100 ppm
- Can be upstream (suction side) or downstream (pressure side) of transfer pumps
- Helps protect expensive, vital engine components against failures caused by water transferred from the bulk fuel tanks to the vehicle
- Separates emulsified or finely dispersed water from fuel
- For use in single-pass fuel dispensing or multi-pass reservoir clean-up and continuous maintenance

APPLICATIONS:

- Bulk Fuel Filtration
- Emergency Generators
- Mobile Equipment (Fleet Service Providers)
- Forestry, Marine, Mining & Agriculture

Distributed by Airline Hydraulics Corporation

3557 Progress Drive, Bensalem, PA 19020

Phone: (215) 638-4700 • Fax: (215) 638-1707

Toll Free: (800) 999-7378

SHOP ONLINE: www.airlinehyd.com