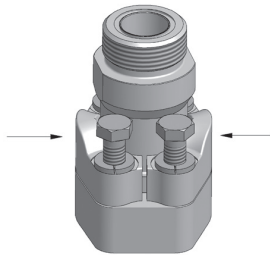


# General Information

## SPLIT FLANGE CLAMP

Clean the sealing surfaces and make certain they are free from nicks, scratches and burrs. Foreign material prevents a proper seal.

Lubricate the o-ring and ensure that it is properly installed as to prevent damage during installation.



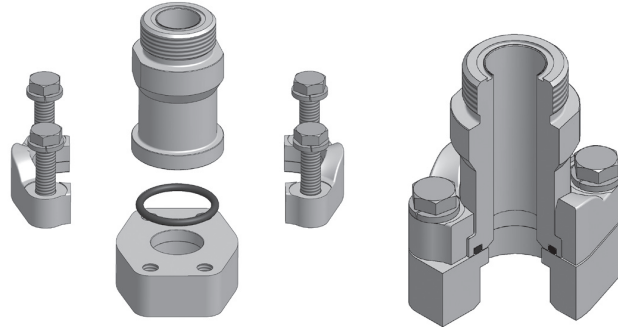
Push the flange clamps towards the flange head and screw fasteners into flange pad. Continue to screw the fasteners until their heads just meet the split flange surface.



Torque the fasteners in diagonal sequence, in small increments, until final torque level is achieved. Torque values for flange connections listed above. Notice that the torque values vary according to size and fastener type.

Anchor Fluid Power split flange connections are manufactured according to SAE J518-1 and -2, as well as ISO 6162-1 and -2. These standards control dimensions, tolerances and plating. Please note that the above pressure rating chart refers to the flange connection. Adapting the flange to other connections, such as braze tube, welded pipe, or threaded ports / stud ends, could reduce maximum working pressure.

Please consult with Anchor Fluid Power for pressure rating specific to your connection requirement.



## PRESSURE RATINGS OF SAE FLANGES

CODE 61 SAE J518-1 / ISO 6162-1					
DASH SIZE	INCH SIZE	MAX WORKING PRESSURE		GRADE 8 AND EQUIVALENT FASTENER TORQUE VALUE	
		PSI	MPA	SOCKET HEAD UNC (LB-FT)	HEX HEAD UNC (LB-FT)
-8	1/2"	5000	35	24	18
-12	3/4"	5000	35	44	33
-16	1"	4600	32	44	33
-20	1 1/4"	4000	28	68	52
-24	1 1/2"	3000	21	111	80
-32	2"	3000	21	111	80
-40	2 1/2"	2500	17.5	111	80
-48	3"	2300	16	218	160
-56	3 1/2"	500	3.5	218	160
-64	4"	500	3.5	218	160
-80	5"	500	3.5	218	160

CODE 62 SAE J518-2 / ISO 6162-2					
DASH SIZE	INCH SIZE	MAX WORKING PRESSURE		GRADE 8 AND EQUIVALENT FASTENER TORQUE VALUE	
		PSI	MPA	SOCKET HEAD UNC (LB-FT)	HEX HEAD UNC (LB-FT)
-8	1/2"	6000	40	24	18
-12	3/4"	6000	40	44	33
-16	1"	6000	40	68	52
-20	1 1/4"	6000	40	111	80
-24	1 1/2"	6000	40	218	160
-32	2"	6000	40	332	281
-40	2 1/2"	6000	40	N/A	605
-48	3"	6000	40	N/A	1280

\*\*All max working pressures listed above are specific to the SAE J518/ISO 6162 bolt pattern. Features within the 4-Bolt flange and the connection opposite the 4-Bolt flange can de-rate the maximum working pressure.

NOTE - All carbon steel torque values are based on AFP supplied socket head and hex head fasteners. Use of alternate fasteners can affect torque value. Consult factory for additional information.